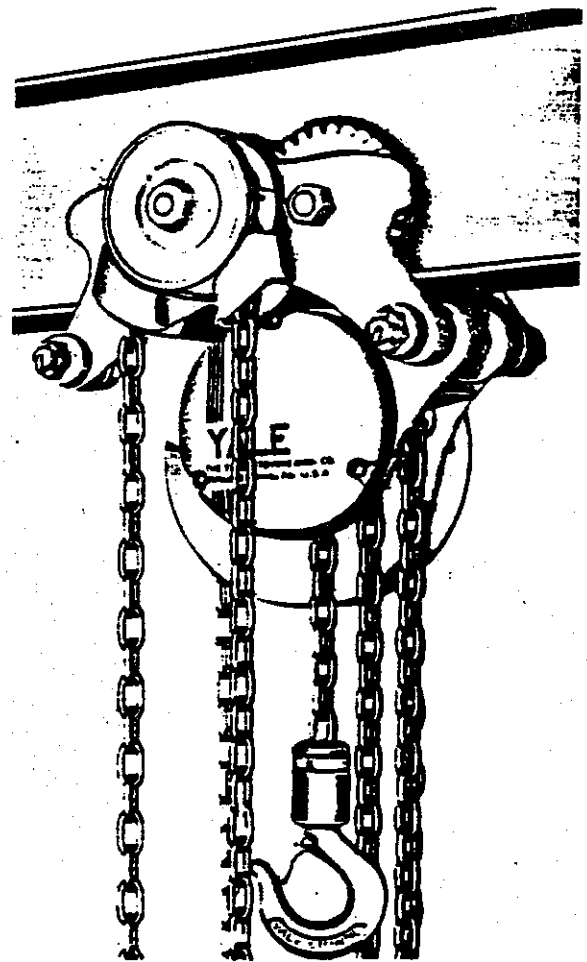
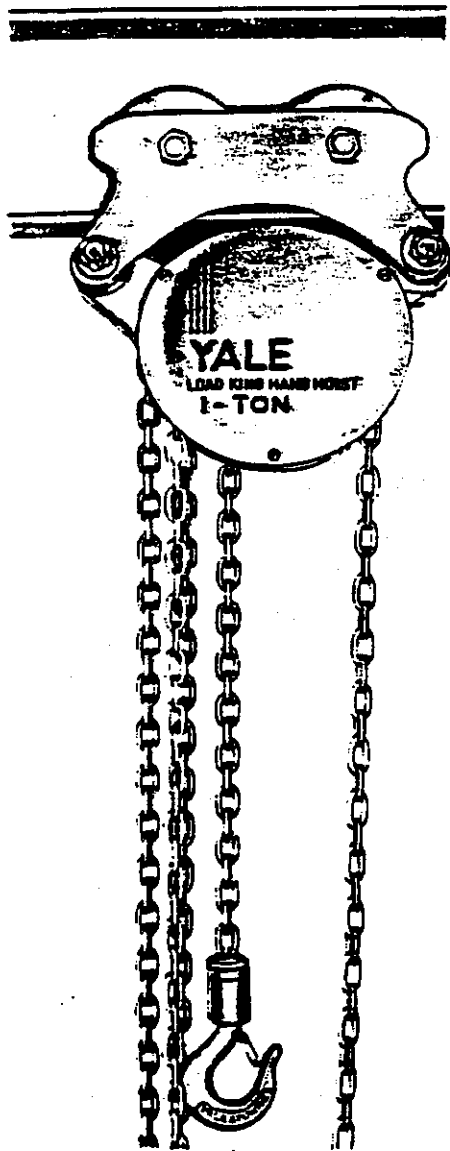


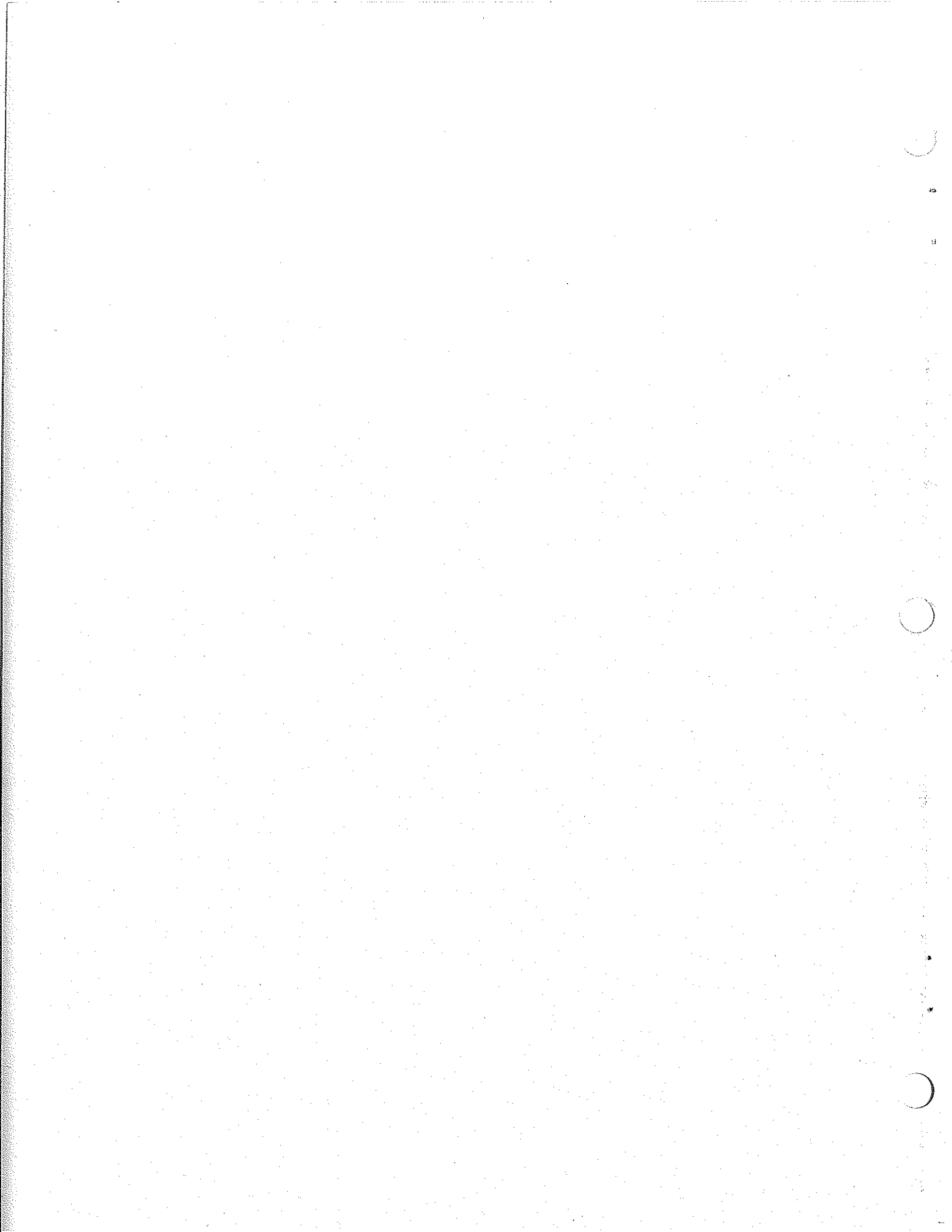
LTP & LTG  
Trolley Hoists S/R  
Spark Resistant Construction

225-A

Parts and Instruction  
Manual

# Yale®





# YALE

## TABLE OF CONTENTS

SAFE HOISTING PRACTICES .....	2
LUBRICATION GUIDE.....	3
INSPECTION AND CARE OF LOAD KING TROLLEY HOIST.....	4
Figure 1. Lubrication of Chain.....	6
Figure 2. Chain Attachment.....	7
Figure 3. 1/2 Ton Load King Trolley Hoist.....	9
Figure 4. 1 Ton Load King Trolley Hoist.....	12
Figure 5. 1 1/2 Ton Load King Trolley Hoist.....	15
Figure 6. 2 Ton Load King Trolley Hoist.....	18
Figure 7. 3 Ton Load King Trolley Hoist.....	21
Figure 8. 4 Ton Load King Trolley Hoist.....	24
Figure 9. 5 Ton Load King Trolley Hoist, Trolley Parts .....	27
Figure 10. 5 Ton Load King Trolley Hoist, Hoist Parts .....	28
Figure 11. 6 Ton Load King Trolley Hoist, Trolley Parts .....	32
Figure 12. 6 Ton Load King Trolley Hoist, Hoist Parts .....	33
Figure 13. 8 Ton Load King Trolley Hoist, Trolley Parts .....	37
Figure 14. 8 Ton Load King Trolley Hoist, Hoist Parts .....	38
Chain and Hook Dimensions .....	42

WHEN REPLACEMENT PARTS ARE NEEDED, ORDER ONLY YALE® FACTORY ENGINEERED PARTS

## MAINTENANCE

# YALE

### INSPECTION AND CARE OF LOAD KING HOIST

#### 1. INSPECTION:

- (A) WEEKLY - Hoist in severe or continuous service.
- (B) MONTHLY - Hoist in frequent or daily service.
- (C) QUARTERLY - Hoist in average or partial daily service.

2. Examine chain for wear or stretch and bent or mutilated links in accordance with directions given on page 46 which shows the standard or normal dimensions of the chain per link and for 20 link lengths. The limit of wear or stretch for a 20 link length is 2% over normal length. The limit of wear on individual links is 20% below the normal link diameter.
3. If the load chain is worn and requires replacing, also examine the load sheave and load chain guide and stripper. If these parts are worn they should be replaced to avoid damaging the new load chain. The new load chain should be installed with weld on vertical link as shown on page 7. The load chain guide should fit so there is approximately 1/8" clearance between the load chain guide side and the outside diameter of the load sheave.
4. Examine the bottom hook for suspension and application of load. The load must be carried in the center of the hook and not on the tip. Yale hooks will stand 150% load without changing the normal opening of dimension "E", page 46, if the load is carried correctly in the center of the hook. If the load is incorrectly applied, so that it is carried at the tip, the hook will open at approximately one-half of the rated capacity. The maximum opening of hooks should not exceed 35% beyond the normal opening or beyond the dimensions given on the hook drawing on page 46. If the hook is opened 35% beyond these normal dimensions it should be replaced.
5. When installing a new bottom hook for 3 ton to 12 ton capacity units, thoroughly tighten up the hook nut and rivet or weld over threaded end of hook so the nut cannot unscrew - shown on page 6.
6. Check for proper and safe operation with easy movement of all rotating, swiveling and swinging parts.
7. Turn the handwheel to check the backlash and wear on the load brake parts. Normally, the handwheel should have a back movement equivalent to 1 or 1½ pockets. If this backlash is equivalent to 2 or more pockets on the handwheel, some of the synchromatic load brake parts are worn. Inspect the raybestos disc, oilite disc, and spring washer for possible replacement.

When Replacement Parts Are Needed, Order Only Yale® Factory Engineered Parts

## YALE

## INSPECTION AND CARE OF LOAD KING HOIST continued

8. Check operation of ring pawl and note that it engages ratchet disc properly.
9. In lubricating load chain, be sure oil runs into the inside bearing points of each chain link - see page 6.
10. When the hoist is disassembled for repairs, note the position of all parts to assure proper reassembling.
11. When repairs are made, hoist should be tested with loads of full capacity before placing hoist in service.
12. The Load King Hoists are designed with the safety of the operating personnel first in mind. Your own safety and that of your fellow workers will be assured when overhead materials handling equipment is used as recommended by the manufacturer. Disregarding such recommendations endangers life and property. You are referred to the SAFE HOISTING PRACTICES listed on page (2). Read this information carefully for your protection and protection of the equipment.

When Replacement Parts Are Needed, Order Only Yale® Factory Engineered Parts

YALE

LUBRICATION

**LUBRICATION OF LOAD KING HOISTS**

LOAD SHEAVE, DRIVING PINION AND INTERMEDIATE GEAR AND PINION BEARING ARE LUBRICATED FOR LIFE AND SEALED. THESE BEARINGS SHOULD NOT REQUIRE ANY MAINTENANCE ATTENTION. IDLER SHEAVE BEARINGS WILL REQUIRE PERIODIC INSPECTION AND LUBRICATION BASED UPON FREQUENCY OF USE. ALL GEARS ARE PACKED WITH A PERMANENT GREASE. LOAD CHAIN SHOULD BE KEPT LUBRICATED FOR SATISFACTORY SERVICE.

<u>LUBRICATION POINTS</u>	<u>LUBRICANT SPECIFICATIONS</u>
LOAD SHEAVE POCKETS THREAD IN FRICTION PLATE BORE AND TEETH IN RATCHET DISC FINGERS ON RING PAWL RING PAWL STUDS ALL GEARS AND PINIONS IDLER SHEAVE BEARINGS	HOUGHTON STA-PUT #580 GULF CROWN GREASE #2 HUMBLE MULTI-PURPOSE GREASE SHELL ALUMA #2.OR RETINEX A
LOAD CHAIN	HUMBLE PEN-O-LED EP5 HOUGHTON STA-PUT #465 GULF MULTI-PURPOSE GEAR LUBE 140
LOWER HOOK BEARINGS	HOUGHTON STA-PUT 18H2 ATLANTIC 52

**RECOMMENDED SPARE PARTS FOR 1 YEAR**

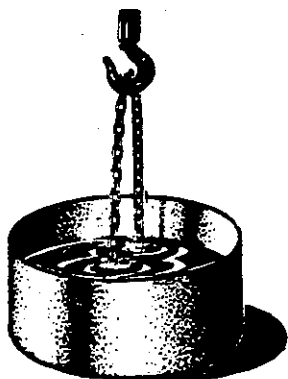
QUANTITY PER HOIST	DESCRIPTION	PART NUMBER
1	BRAKE DISC	6484551-00
1	OILITE DISC	0154042-00
1	RING PAWL	0156405-00
3	RING PAWL SPRING	0159622-00
1	SPRING WASHER	0159671-00

When Replacement Parts Are Needed, Order Only Yale® Factory Engineered Parts

MAINTENANCE

YALE

LUBRICATION OF CHAIN



1. COMPLETELY SUBMERGE  
LOAD CHAIN IN  
LUBRICATING OIL



2. REMOVE CHAIN FROM  
CONTAINER ALLOWING  
EXCESS OIL TO DRAIN  
BACK INTO CONTAINER

3. APPLY LUBRICATED  
CHAIN TO SHEAVE  
IN HOIST



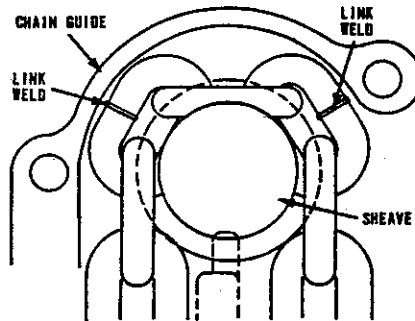
4. AFTER CHAIN IS FASTENED  
TO HOIST, WIPE OFF SURFACE  
OF CHAIN WITH RAG. THIS WILL  
MAKE THE OUTER SURFACE OF  
THE CHAIN CLEAN AND ALLOW  
LUBRICATION BETWEEN THE  
LINKS WHERE THE LUBRICATION  
IS NECESSARY.

FIGURE 1. LUBRICATION OF CHAIN

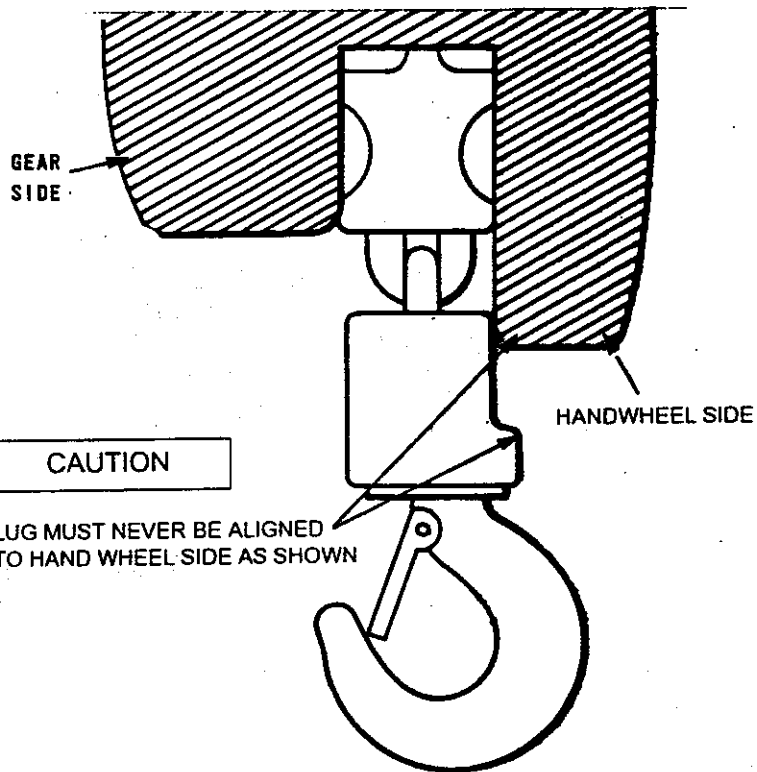
When Replacement Parts Are Needed, Order Only Yale® Factory Engineered Parts

# YALE

## CHAIN ATTACHMENT



WELD ON STANDING LINK MUST FACE AWAY FROM SHEAVE



When Replacement Parts Are Needed, Order Only Yale® Factory Engineered Parts



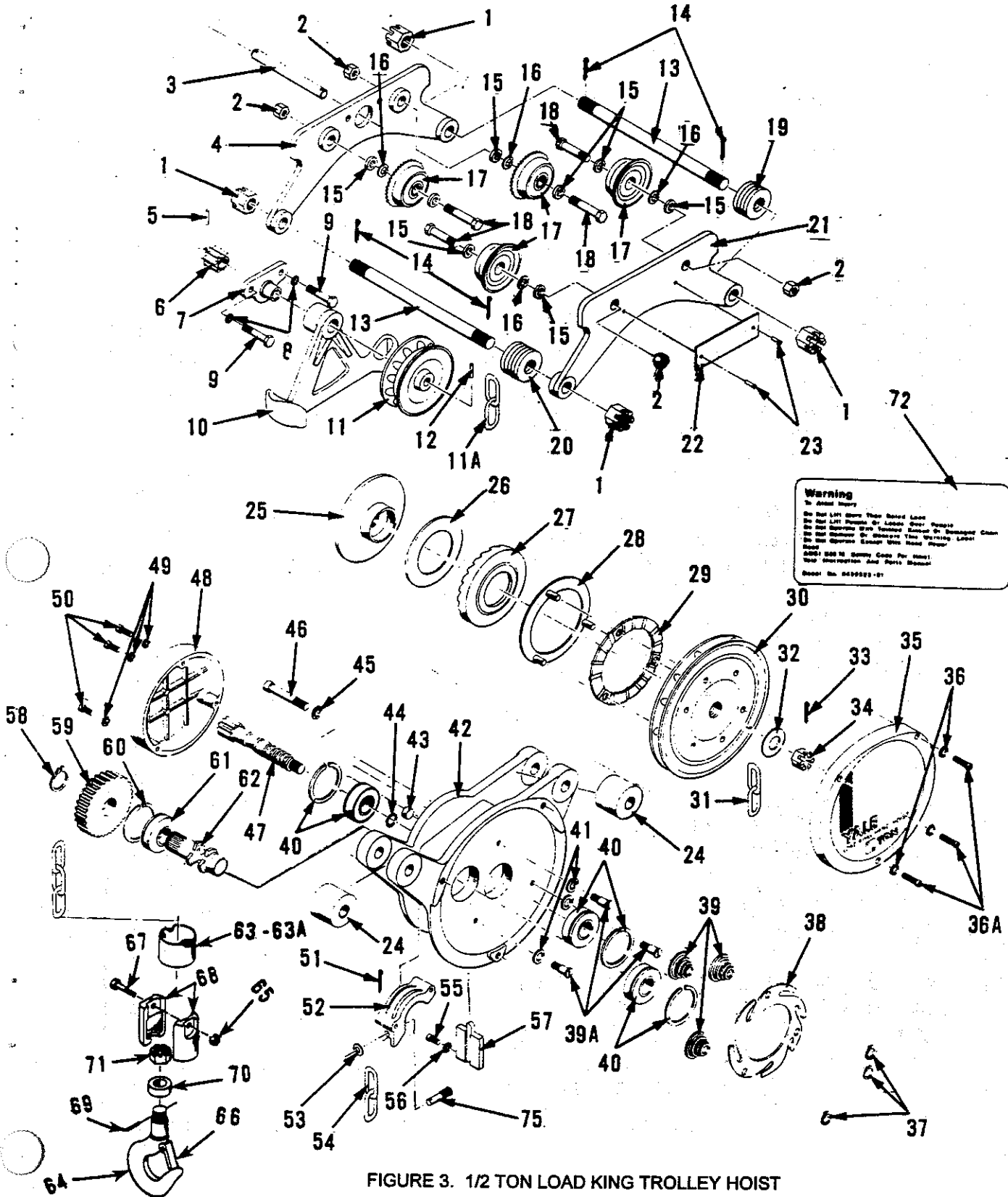


FIGURE 3. 1/2 TON LOAD KING TROLLEY HOIST

WHEN REPLACEMENT PARTS ARE NEEDED, ORDER ONLY YALE® FACTORY ENGINEERED PARTS  
LOAD KING TROLLEY HOIST

ITEM NUMBER	PART NUMBER	DESCRIPTION	QTY
1	0652673-00	SLOTTED NUT. ....	4
2	0317081-00	STOVER LOCKNUT . . . . .	4
3	0250208-00	TROLLEY WHEEL PINION SHAFT. ....	1
4	0595193-00	TROLLEY SIDE PLATE (PLAIN TROLLEY). ....	1
	0589650-00	TROLLEY SIDE PLATE (GEARED TROLLEY) . . . . .	
5	0586643-00	LOCK PIN . . . . .	1
6	0250202-00	TROLLEY WHEEL PINION . . . . .	1
7	0610950-00	SUPPORT BRACKET . . . . .	1
8	0150322-00	LOCKWASHER . . . . .	2
9	0150323-00	HEX HEAD BOLT . . . . .	2
10	0610949-00	HAND CHAIN GUIDE . . . . .	1
11	0250218-00	HANDWHEEL. . . . .	1
11A	0033730-00	HAND CHAIN (14' ENDLESS) . . . . .	1
	5024471-81	ALUMINUM HAND CHAIN (SPECIFY LENGTH). . . . .	1
	0033731-00	CAD PLATED HAND CHAIN (SPECIFY LENGTH) . . . . .	1
12	0157040-00	LOCK PIN. . . . .	1
13	0591429-00	SUSPENSION PIN. . . . .	2
14	0154216-00	COTTER PIN . . . . .	4
15	0332326-00	BALL BEARING . . . . .	8
16	0159241-00	RETAINING RING. . . . .	4
17	0579173-00	BRONZE TROLLEY WHEEL (PLAIN TROLLEY) . . . . .	4
	0521931-00	BRONZE TROLLEY WHEEL (GEARED TROLLEY PLAIN SIDE). . . . .	2
	5018663-00	BRONZE TROLLEY WHEEL (GEARED SIDE). . . . .	2
18	0250610-00	AXLE (GEARED TROLLEY) . . . . .	4
19	0535816-00	ADJUSTING WASHER . . . . .	12
20	0236278-00	ADJUSTING WASHER . . . . .	20
21	0589651-00	TROLLEY SIDE PLATE (GEARED TROLLEY PLAIN SIDE) . . . . .	1
	0589651-00	TROLLEY SIDE PLATE (PLAIN TROLLEY). . . . .	1
22	0513771-00	NAMEPLATE . . . . .	1
23	0149894-00	RIVET. . . . .	2
24	0596770-00	SPACER . . . . .	2
25	0127232-00	FRICTION PLATE. . . . .	1
26	6484551-00	BRAKE DISC . . . . .	1
27	0158079-00	RATCHET DISC . . . . .	1
28	0154042-00	OILITE DISC. . . . .	1
29	0159671-00	SPRING WASHER. . . . .	1
30	0165100-00	HANDWHEEL . . . . .	1
31	5024471-81	ALUMINUM HAND CHAIN (SPECIFY LENGTH) . . . . .	1
32	0161405-00	CHECKWASHER. . . . .	1
33	0154200-00	COTTER PIN . . . . .	1
34	0149808-00	SLOTTED NUT. ....	1
35	0595197-00	HAND CHAIN WASHER AND GUIDE. . . . .	1
36	0150321-00	LOCKWASHER . . . . .	3

ITEM NUMBER	PART NUMBER	DESCRIPTION	QTY
36A	0655764-00	SOCKET HEAD SCREW . . . . .	3
37	0159148-00	RETAINING RING . . . . .	3
38	0156405-00	RING PAWL . . . . .	1
39	0159622-00	RING PAWL SPRING . . . . .	3
40	0151277-00	BEARING . . . . .	3
41	0150322-00	LOCKWASHER . . . . .	3
42	0596787-00	SUSPENSION FRAME . . . . .	1
43	0182571-00	RATCHET LEVER PLUG . . . . .	2
44	0159131-00	RETAINING RING. . . . .	1
45	0656194-00	SHAKEPROOF WASHER . . . . .	2
46	0655801-00	SOCKET HEAD SCREW . . . . .	2
47	0155472-00	DRIVING PINION. . . . .	1
48	0155189-00	GEAR COVER . . . . .	1
49	0150321-00	LOCKWASHER . . . . .	3
50	0655761-00	SOCKET HEAD SCREW . . . . .	3
51	0154178-00	COTTER PIN . . . . .	1
52	0164954-00	LOAD CHAIN. . . . .	1
53	0161035-00	WASHER . . . . .	1
54	5029941-81	STAINLESS STEEL LOAD CHAIN (SPECIFY LENGTH). . . . .	1
55	0655759-00	SOCKET HEAD SCREW. . . . .	1
56	0150361-00	SHAKEPROOF WASHER . . . . .	1
57	0164978-00	STRIPPER . . . . .	1
58	0159156-00	RETAINING RING. . . . .	1
59	0155355-00	LOAD GEAR . . . . .	1
60	0159228-00	RETAINING RING. . . . .	1
61	0151283-00	BALL BEARING. . . . .	1
62	6445953-00	LOAD SHEAVE . . . . .	1
63	6425412-00	BOTTOM BLOCK ASM (INCLUDES ITEMS 63A-72) . . . . .	1
63A	6456701-00	RETAINER BAND . . . . .	1
64	6436751-00	BOTTOM HOOK . . . . .	1
64A	6425422-00	BTM HOOK AND NUT(BRONZE) (INCLUDES ITEMS 66, 69-70) . . . . .	1
65	0150152-00	LOCK NUT . . . . .	1
66	6462558-00	LATCH KIT . . . . .	1
67	6428951-00	ALLEN SCREW . . . . .	1
68	6420171-00	BLOCK HALF. . . . .	2
69	0599891-00	ROLL PIN . . . . .	1
70	015221-00	BEARING . . . . .	1
71	0106663-00	BOTTOM HOOK NUT . . . . .	1
72	6432671-00	WARNING DECAL . . . . .	1

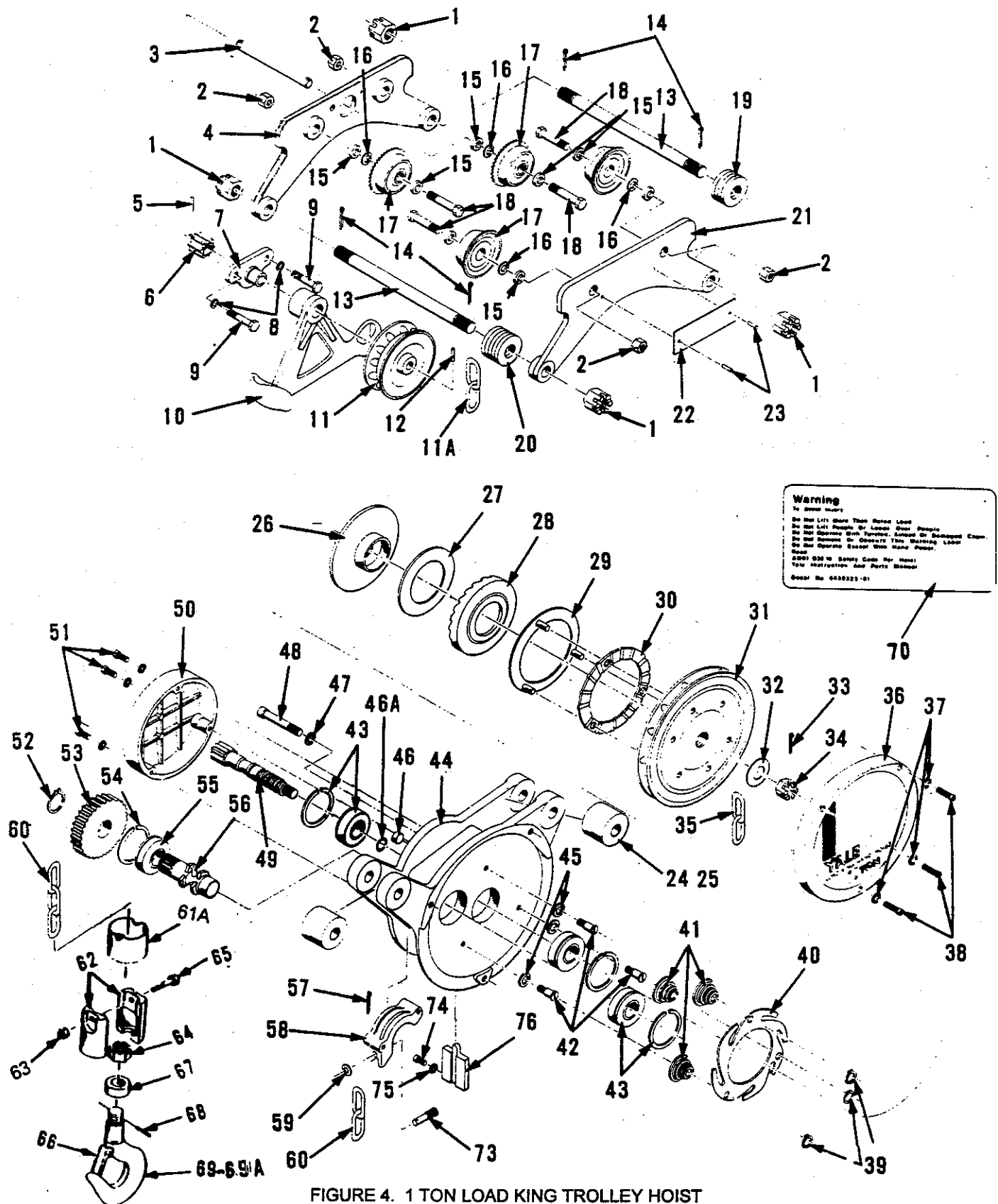


FIGURE 4. 1 TON LOAD KING TROLLEY HOIST

WHEN REPLACEMENT PARTS ARE NEEDED, ORDER ONLY YALE® FACTORY ENGINEERED PARTS  
LOAD KING TROLLEY HOIST - 12 - REVISED OCTOBER 1995

ITEM NUMBER	PART NUMBER	DESCRIPTION	QTY
1	0652673-00	SLOTTED NUT . . . . .	4
2	0150160-00	STOVER LOCKNUT . . . . .	4
3	0250208-00	TROLLEY WHEEL PINION SHAFT (GEARED). . . . .	1
4	0589652-00	TROLLEY WIDE PLATE (GEARED TROLLEY) . . . . .	1
	0595194-00	TROLLEY SIDE PLATE. . . . .	1
5	0586643-00	LOCK PIN (GEARED). . . . .	1
6	0250202-00	TROLLEY WHEEL PINION . . . . .	1
7	0610950-00	HAND CHAIN SUPPORT GUIDE . . . . .	1
8	0150323-00	LOCKWASHER RETAINING RING. . . . .	2
9	0146380-00	HEX HEAD BOLT . . . . .	2
10	0610949-00	HAND CHAIN GUIDE . . . . .	1
11	0250218-00	HANDWHEEL . . . . .	1
11A	0155189-00	HAND CHAIN (14' ENDLESS). . . . .	1
	5024471-81	ALUMINUM HAND CHAIN (SPECIFY LENGTH) . . . . .	1
	0033731-00	CADMIUM PLATED HAND CHAIN (SPECIFY LENGTH) . . . . .	1
12	0157040-00	LOCK PIN . . . . .	1
13	0591425-00	SUSPENSION PIN. . . . .	2
14	0154216-00	COTTER PIN. . . . .	4
15	0250645-00	BEARING. . . . .	8
16	0233426-00	RETAINING RING. . . . .	4
17	0249666-00	TROLLEY WHEEL (GEARED, REQUIRED (2) PLAIN WHEELS NUMBER 0249664-00) . . . . .	2
	0579193-00	BRONZE TROLLEY WHEEL (PLAIN TROLLEY). . . . .	4
	0525318-00	" TROLLEY WHEEL (GEARED PLAIN TROLLEY SIDE LTR). . . . .	2
	5028573-00	BRONZE TROLLEY WHEEL (GEARED SIDE). . . . .	2
18	0639076-00	AXLE. . . . .	4
19	0535816-00	ADJUSTABLE WASHER. . . . .	16
20	0236278-00	ADJUSTABLE WASHER. . . . .	20
21	0589653-00	TROLLEY SIDE PLATE (PLAIN TROLLEY) . . . . .	1
22	0513771-00	NAMEPLATE. . . . .	1
23	0149894-00	RIVET . . . . .	2
24	0596770-00	SPACER. . . . .	2
25	0236018-00	SPACER WASHER (PLAIN TROLLEY) . . . . .	4
26	0127232-00	FRICTION PLATE. . . . .	1
27	6484551-00	BRAKE DISC . . . . .	1
28	0158079-00	RATCHET DISC. . . . .	1
29	0154042-00	OILITE DISC . . . . .	1
30	0159671-00	SPRING WASHER. . . . .	1
31	0165100-00	HANDWHEEL . . . . .	1
32	0161405-00	CHECK WASHER . . . . .	1
33	0154200-00	COTTER PIN. . . . .	1
34	0149808-00	SLOTTED NUT. . . . .	1
35	5024471-81	ALUMINUM HAND CHAIN (SPECIFY LENGTH) . . . . .	1
36	0595198-00	HAND CHAIN GUIDE AND COVER . . . . .	1
37	0150321-00	LOCKWASHER . . . . .	6
38	0655764-00	SOCKET HEAD SCREW. . . . .	3

ITEM NUMBER	PART NUMBER	DESCRIPTION	QTY
39	0159148-00	RETAINING RING. ....	3
40	0156405-00	RING PAWL. ....	1
41	0159622-00	RING PAWL SPRING. ....	3
42	0159799-00	RING PAWL STUD. ....	3
43	0151277-00	BALL BEARING. ....	1
44	0596787-00	SUSPENSION FRAME. ....	1
45	0150322-00	LOCKWASHER. ....	3
46	0182571-00	RATCHET LEVER PLUG. ....	2
46A	0159131-00	RETAINING RING. ....	1
47	0656194-00	SHAKEPROOF WASHER. ....	2
48	0655801-00	SOCKET HEAD SCREW. ....	2
49	0155473-00	DRIVING PINION. ....	1
50	0155189-00	GEAR COVER. ....	1
51	0655761-00	SOCKET HEAD SCREW. ....	3
52	0159156-00	RETAINING RING. ....	1
53	0155356-00	LOAD GEAR. ....	1
54	0159228-00	RETAINING RING. ....	3
55	0151283-00	BALL BEARING. ....	1
56	6444623-00	LOAD SHEAVE. ....	1
57	0154178-00	COTTER PIN. ....	1
58	0164957-00	LOAD GUIDE CHAIN. ....	1
59	0161037-00	PLAIN WASHER. ....	1
60	5029951-81	STAINLESS STEEL LOAD CHAIN (SPECIFY LENGTH). ....	1
61	6425982-00	BOTTOM BLOCK ASM (INCLUDES ITEMS 61-70) . . . . .	1
61A	6456711-00	RETAINER BAND. ....	1
62	6420391-00	BLOCK HALF. ....	2
63	0150153-00	LOCK NUT. ....	2
64	0652673-00	NUT. ....	1
65	6428961-00	SOCKET HEAD SCREW. ....	1
66	6462558-00	LATCH KIT. ....	1
67	0151222-00	BOTTOM HOOK BEARING. ....	1
68	5004099-02	ROLL PIN. ....	1
69	6425972-00	BOTTOM BLOCK ASM (INCLUDES ITEMS 64, 66, 67, 68, 70) . . . . .	1
70	6439323-01	WARNING DECAL. ....	1

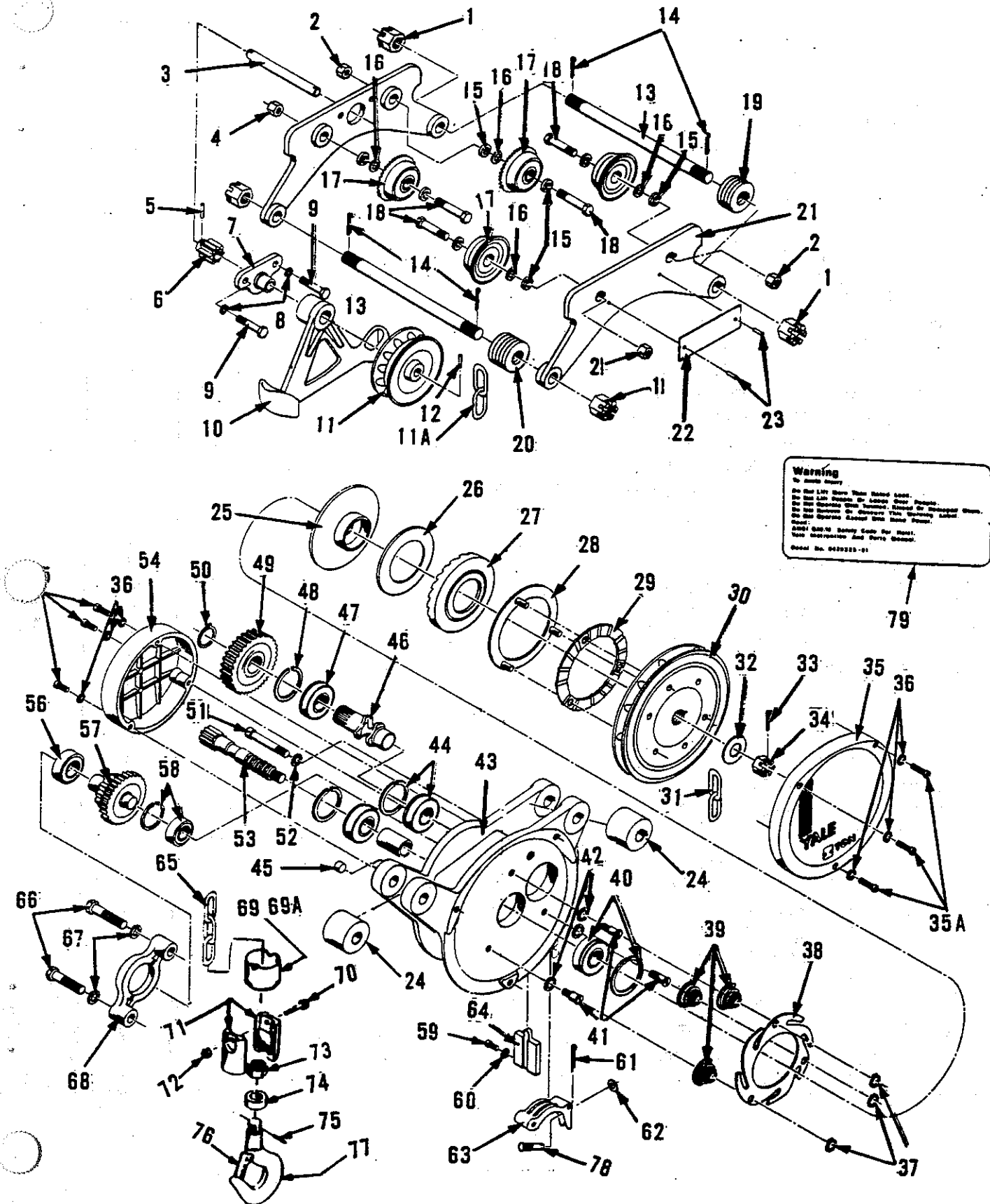


FIGURE 5. 1 1/2 TON LOAD KING TROLLEY HOIST  
WHEN REPLACEMENT PARTS ARE NEEDED, ORDER ONLY YALE® FACTORY ENGINEERED PARTS  
LOAD KING TROLLEY HOIST - 15 - REVISED OCTOBER 1995

ITEM NUMBER	PART NUMBER	DESCRIPTION	QTY
1	0106722-00	SLOTTED NUT . . . . .	4
2	0150158-00	STOVER LOCKNUT . . . . .	4
3	0250208-00	TROLLEY WHEEL PINION SHAFT . . . . .	1
4	0589659-00	TROLLEY SIDE PLATE (GEARED TROLLEY) . . . . .	1
	6475404-00	TROLLEY SIDE PLATE (PLAIN TROLLEY) . . . . .	1
5	0586643-00	LOCK PIN . . . . .	1
6	0250202-00	TROLLEY WHEEL PINION . . . . .	1
7	0610950-00	SUPPORT BRACKET . . . . .	1
8	0150323-00	LOCKWASHER . . . . .	2
9	0146380-00	HEX HEAD BOLT . . . . .	2
10	0610949-00	HAND CHAIN GUIDE . . . . .	1
11	0250218-00	HANDWHEEL . . . . .	1
12	0157040-00	LOCK PIN . . . . .	1
13	0591427-00	SUSPENSION PIN . . . . .	2
14	0154219-00	COTTER PIN . . . . .	4
15	0250647-00	BALL BEARING . . . . .	8
16	0605561-00	RETAINING RING . . . . .	4
17	6457073-02	BRONZE TROLLEY WHEEL (PLAIN TROLLEY) . . . . .	4
	5005343-00	BRONZE TROLLEY WHEEL (GEARED TROLLEY PLAIN SIDE) . . . . .	2
	0666220-00	BRONZE TROLLEY WHEEL (GEARED SIDE) . . . . .	2
18	0250576-00	AXLE . . . . .	4
19	0236282-00	ADJUSTING WASHER . . . . .	16
20	0535819-00	ADJUSTING WASHER . . . . .	24
21	0589660-00	TROLLEY SIDE PLATE (GEARED TROLLEY) . . . . .	1
	6475394-00	TROLLEY SIDE PLATE (PLAIN TROLLEY) . . . . .	1
22	0513771-00	NAMEPLATE . . . . .	1
23	0149894-00	RIVET . . . . .	2
24	0588130-00	SPACER . . . . .	2
25	0127232-00	FRICTION PLATE . . . . .	1
26	6484551-00	RAYBESTOS DISC . . . . .	1
27	0158079-00	RATCHET DISC . . . . .	1
28	0154042-00	OILITE DISC . . . . .	1
29	0159671-00	SPRING WASHER . . . . .	1
30	0165102-00	HAND WASHER . . . . .	1
31	5024471-00	ALUMINUM HAND CHAIN (SPECIFY LENGTH) . . . . .	1
32	0161405-00	CHECKWASHER . . . . .	1
33	0154200-00	COTTER PIN . . . . .	1
34	0149808-00	SLOTTED NUT . . . . .	1
35	0595199-00	HAND CHAIN GUIDE AND COVER . . . . .	1
36	0150321-00	LOCKWASHER . . . . .	6
37	0159148-00	RETAINING RING . . . . .	3
38	0156405-00	RING PAWL . . . . .	1



ITEM NUMBER	PART NUMBER	DESCRIPTION	QTY
39	0159622-00	RING PAWL SPRING . . . . .	3
40	0151277-00	BEARING . . . . .	2
41	0159799-00	RING PAWL STUD. . . . .	3
42	0150323-00	LOCKWASHER . . . . .	3
43	0573889-00	SUSPENSION FRAME . . . . .	1
44	0151279-00	BEARING. . . . .	1
45	0182571-00	RATCHET LEVER PLUG . . . . .	2
46	6446003-00	LOAD SHEAVE. . . . .	1
47	0151281-00	BEARING . . . . .	1
48	6400469-20	RETAINING RING. . . . .	1
49	0155365-00	LOAD GEAR . . . . .	1
50	0159163-00	RETAINING RING. . . . .	1
51	6412041-00	SOCKET HEAD CAP SCREW . . . . .	2
52	0150368-00	SHAKEPROOF WASHER . . . . .	2
53	0155474-00	DRIVING PINION . . . . .	1
54	0155192-00	GEAR COVER . . . . .	1
55	0655765-00	SOCKET HEAD SCREW . . . . .	3
56	0151283-00	BEARING . . . . .	1
57	0155385-00	INTERMEDIATE GEAR AND PINION . . . . .	1
58	0151278-00	BEARING. . . . .	1
59	0655843-00	SOCKET HEAD SCREW . . . . .	1
60	0150365-00	SHAKEPROOF WASHER . . . . .	1
61	0154196-00	COTTER PIN . . . . .	1
62	0161040-00	PLAIN WASHER . . . . .	1
63	0164961-00	LOAD CHAIN GUIDE . . . . .	1
64	0164980-00	STRIPPER. . . . .	1
65	5024481-81	STAINLESS STEEL LOAD CHAIN (SPECIFY LENGTH). . . . .	1
66	0146462-00	GEAR SUPPORT BOLT . . . . .	2
67	0150370-00	LOCKWASHER . . . . .	2
68	0152018-00	GEAR SUPPORT. . . . .	1
69	6425982-00	BOTTOM BLOCK ASM (INC ITEMS 69A-77, 79) . . . . .	1
69A	6456711-00	RETAINER BAND. . . . .	1
70	6428761-00	SOCKET HEAD SCREW. . . . .	1
71	6420391-00	BLOCK HALF. . . . .	2
72	0150153-00	LOCK NUT. . . . .	1
73	0652673-00	NUT. . . . .	1
74	0151222-00	BEARING. . . . .	1
75	5004099-02	ROLL PIN. . . . .	1
76	6462548-00	LATCH KIT. . . . .	1
77	6425972-00	BOTTOM HOOK & NUT (BRONZE SPARK RESISTANT) (INCLUDE ITEMS 73-76, 79) . . . . .	1
78	0156923-00	CHAIN END PIN . . . . .	1
79	6439323-01	WARNING DECAL. . . . .	1

For safety lugs, track clamps, extended handwheel, chain containers, patent track trolley and Bullard Burnham hooks refer to unit marking when ordering parts.

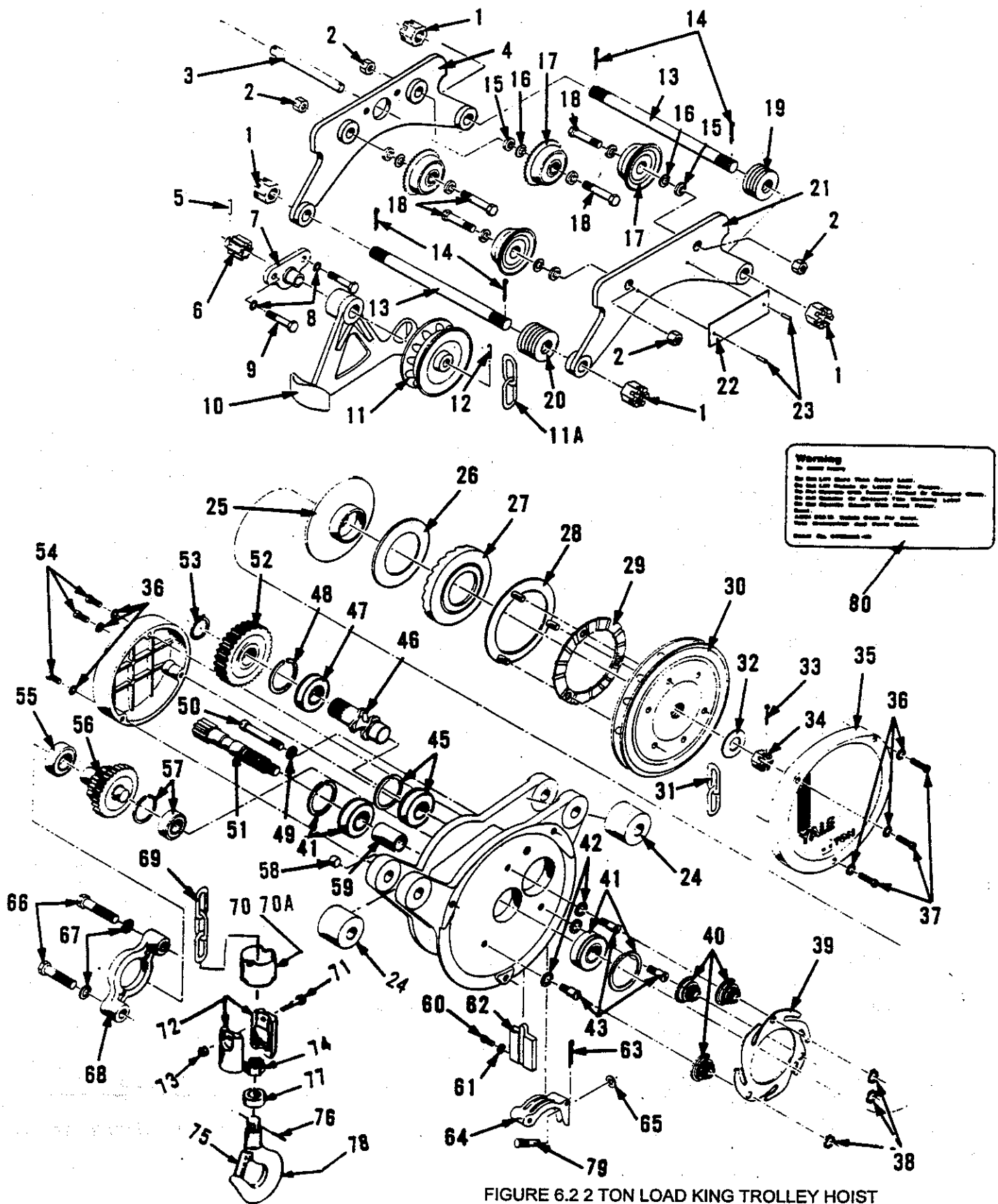


FIGURE 6.2 2 TON LOAD KING TROLLEY HOIST

WHEN REPLACEMENT PARTS ARE NEEDED, ORDER ONLY YALE® FACTORY ENGINEERED PARTS  
LOAD KING TROLLEY HOIST

ITEM NUMBER	PART NUMBER	DESCRIPTION	QTY
1	0106722-00	SLOTTED NUT. . . . .	4
2	0150158-00	STOVER LOCKNUT . . . . .	4
3	0250208-00	TROLLEY WHEEL PINION SHAFT. . . . .	1
4	6475394-00	TROLLEY SIDE PLATE (PLAIN). . . . .	1
5	0250666-00	LOCK PIN. . . . .	1
6	0250202-00	TROLLEY WHEEL PINION. . . . .	1
7	0610950-00	GUIDE SUPPORT . . . . .	1
8	0150323-00	LOCKWASHER. . . . .	2
9	0146380-00	HEX HEAD BOLT . . . . .	2
10	0610949-00	HAND CHAIN GUIDE. . . . .	1
11	0250218-00	HANDWHEEL. . . . .	1
11A	5024471-81	ALUMINUM HAND CHAIN (SPECIFY LENGTH) . . . . .	1
12	0157040-00	LOCK PIN. . . . .	1
13	0591427-00	SUSPENSION PIN . . . . .	2
14	0154219-00	COTTER PIN. . . . .	4
15	0250647-00	BEARING . . . . .	8
16	0605561-00	RETAINING RING. . . . .	4
17	6457073-02	BRONZE TROLLEY WHEELS (PLAIN TROLLEY) . . . . .	4
	5005343-00	BRONZE TROLLEY WHEELS (GEARED TROLLEY PLAIN SIDE). . . . .	2
	0666220-00	BRONZE TROLLEY WHEELS (GEARED SIDE) . . . . .	2
18	0250576-00	AXLE. . . . .	4
19	0236282-00	ADJUSTABLE WASHER . . . . .	16
20	0535819-00	ADJUSTABLE WASHER . . . . .	24
21	0589660-00	TROLLEY SIDE PLATE (GEARED TROLLEY). . . . .	1
	6475404-00	TROLLEY SIDE PLATE (PLAIN TROLLEY). . . . .	1
22	0513771-00	NAMEPLATE. . . . .	1
23	0150452-00	RIVET . . . . .	2
24	0588130-00	SPACER . . . . .	2
25	0127232-00	FRICTION PLATE . . . . .	1
26	6484551-00	BRAKE DISC . . . . .	1
27	0158079-00	RATCHET DISC . . . . .	1
28	0154042-00	OILITE DISC. . . . .	1
29	0159671-00	SPRING WASHER . . . . .	1
30	0165102-00	HANDWHEEL . . . . .	1
31	5024471-81	ALUMINUM HAND CHAIN (SPECIFY LENGTH). . . . .	1
32	0161405-00	CHECKWASHER . . . . .	1
33	0154200-00	COTTER PIN . . . . .	1
34	0149808-00	SLOTTED NUT. . . . .	1
35	0595200-00	HAND CHAIN GUIDE AND COVER. . . . .	1
36	0150321-00	LOCKWASHER. . . . .	6
37	0655764-00	SOCKET HEAD SCREW . . . . .	3
38	0159148-00	RETAINING RING. . . . .	3

ITEM NUMBER	PART NUMBER	DESCRIPTION	QTY
39	0156405-00	RING PAWL	1
40	0159622-00	RING PAWL SPRING	3
41	0151277-00	BALL BEARING	2
42	0150323-00	LOCKWASHER	3
43	0159799-00	RING PAWL STUD	3
44	0573889-00	SUSPENSION FRAME	1
45	0151279-00	BALL BEARING	1
46	6446013-00	LOAD SHEAVE	1
47	0151281-00	BALL BEARING	1
48	6400469-20	RETAINING RING	1
49	0150368-00	SHAKEPROOF WASHER	2
50	6412041-00	SOCKET HEAD SCREW	2
51	0155474-00	DRIVING PINION	1
52	0155366-00	LOAD GEAR	1
53	0159163-00	RETAINING RING	1
54	0655765-00	SOCKET HEAD SCREW	3
55	0151283-00	BEARING	1
56	0155386-00	INTERMEDIATE GEAR AND PINION	1
57	0151278-00	BEARING	1
58	0182571-00	RATCHET LEVER PLUG	2
59	0161946-00	BEARING SPACER	1
60	0655843-00	SOCKET HEAD SCREW	1
61	0150365-00	SHAKEPROOF WASHER	2
62	0164980-00	STRIPPER	1
63	0154196-00	COTTER PIN	1
64	0164964-00	LOAD CHAIN GUIDE	1
65	0161097-00	PLAIN WASHER	1
66	0146462-00	GEAR SUPPORT BOLT	2
67	0150370-00	SHAKEPROOF WASHER	2
68	0152018-00	GEAR SUPPORT	1
69	5029961-81	STAINLESS STEEL LOAD CHAIN (SPECIFY LENGTH)	1
70	6426142-00	BOTTOM BLOCK ASM (INCL ITEMS 70A-80)	1
70A	6456721-00	BLOCK CASTING	1
71	6428971-00	SOCKET HEAD SCREW	1
72	6420451-00	BLOCK HALF	2
73	0150155-00	LOCK NUT	1
74	6401379-11	NUT	1
75	5006908-00	LATCH KIT	1
76	0511914-00	ROLL PIN	1
77	0501931-00	BOTTOM HOOK BEARING	1
78	6426132-00	BOTTOM HOOK AND NUT (INCL ITEMS 74-76, 80)	1
79	0156924-00	CHAIN END PIN	1
80	6439323-01	WARNING DECAL	1

For safety lugs, track clamps, extended handwheel, chain containers, patent track trolley and Bullard Burnham hooks refer to unit marking when ordering parts.

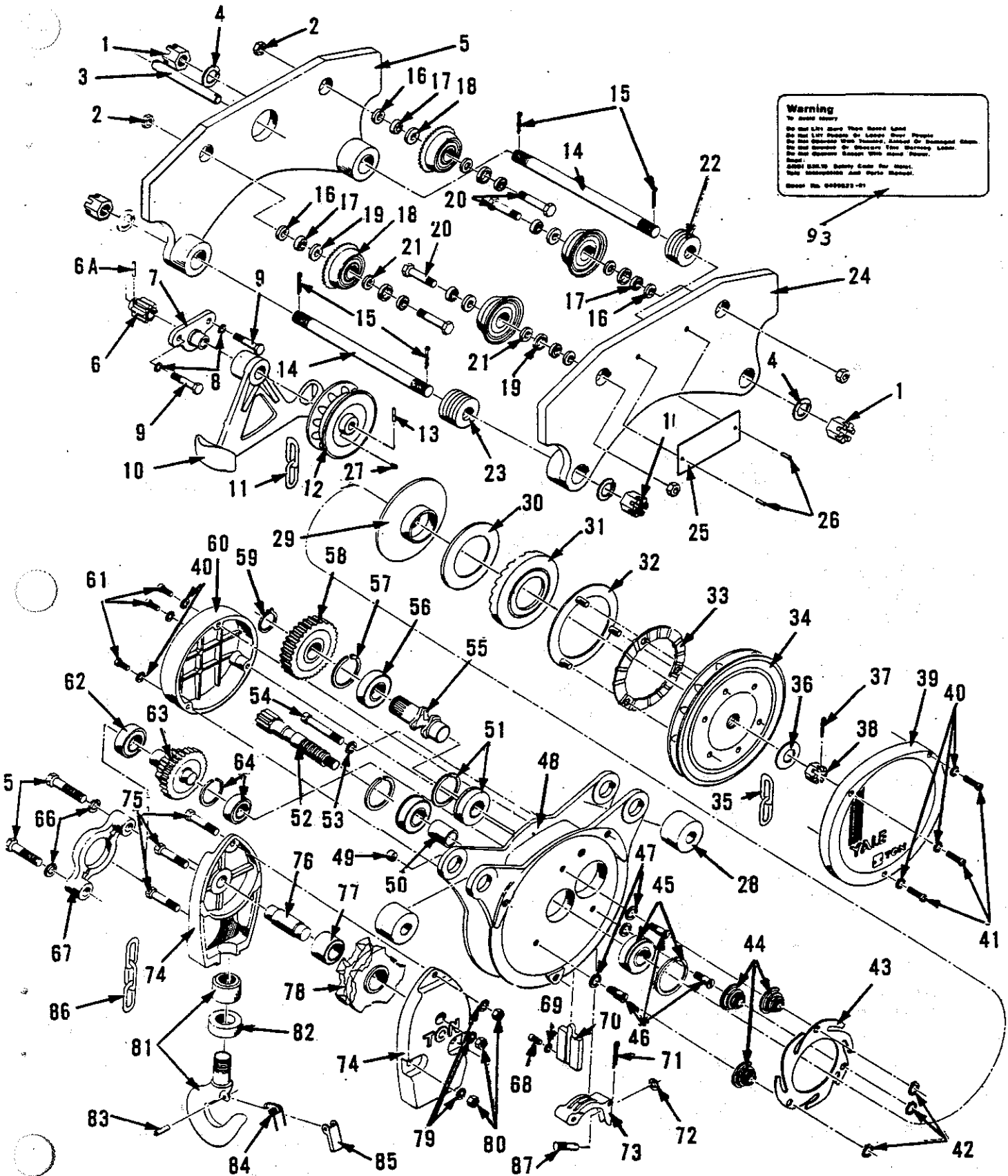


FIGURE 7 3 TON LOAD KING TROLLEY HOIST

WHEN REPLACEMENT PARTS ARE NEEDED, ORDER ONLY YALE® FACTORY ENGINEERED PARTS  
LOAD KING TROLLEY HOIST - 21 - REVISED OCTOBER 1995

ITEM NUMBER	PART NUMBER	DESCRIPTION	QTY
1	0106722-00	SLOTTED NUT.....	4
2	0149379-00	HEX NUT.....	4
3	0589649-00	PINION SHAFT.....	1
4	0150299-00	LOCKWASHER.....	4
5	0595196-00	TROLLEY SIDE PLATE (PLAIN).....	1
	0589662-00	TROLLEY SIDE PLATE (GEARED).....	1
6	0588168-00	TROLLEY WHEEL PINION.....	1
6A	0381400-00	LOCK PIN.....	1
7	0596773-00	HANDWHEEL SUPPORT.....	1
8	0150266-00	LOCKWASHER.....	2
9	0146423-00	HEX HEAD BOLT.....	2
10	0588165-00	HAND CHAIN GUIDE.....	1
11	5024471-81	ALUMINUM HAND CHAIN (SPECIFY LENGTH).....	1
12	0111132-00	HANDWHEEL.....	1
13	0319861-00	LOCK PIN.....	1
14	0588129-00	SUSPENSION PIN.....	2
15	0154219-00	COTTER PIN.....	4
16	0579174-00	TROLLEY WHEEL SPACER.....	4
17	0602352-00	CONE AND SEAL ASSEMBLY.....	8
18	0664887-00	BRONZE TROLLEY WHEEL (PLAIN TROLLEY).....	4
	0664887-00	BRONZE TROLLEY WHEEL (GEARED TROLLEY PLAIN SIDE).....	2
	0664886-00	BRONZE TROLLEY WHEEL (GEARED SIDE).....	2
19	0602353-00	CUP.....	8
20	0579173-00	AXLE.....	4
21	0601083-00	BEARING SPACER.....	4
22	0236282-00	ADJUSTABLE WASHER.....	16
23	0535819-00	ADJUSTABLE WASHER.....	28
24	0589661-00	TROLLEY SIDE PLATE (PLAIN TROLLEY).....	1
	0589661-00	TROLLEY SIDE PLATE (GEARED TROLLEY).....	1
25	0513771-00	NAMEPLATE.....	1
26	0149894-00	NAMEPLATE RIVETS.....	2
27	0388054-00	SET SCREW.....	1
28	0588130-00	SPACER.....	2
29	0127232-00	FRICTION PLATE.....	1
30	6484551-00	BRAKE DISC.....	1
31	0158079-00	RATCHET DISC.....	1
32	0154042-00	OILITE DISC.....	1
33	0159671-00	SPRING WASHER.....	1
34	0165102-00	HANDWHEEL.....	1
35	5024471-81	ALUMINUM HAND CHAIN (SPECIFY LENGTH).....	1
36	0161405-00	CHECKWASHER.....	1
37	0154200-00	COTTER PIN.....	1
38	0149808-00	SLOTTED NUT.....	1
39	0514084-00	HAND CHAIN GUIDE AND COVER.....	1
40	0150321-00	LOCKWASHER.....	6
41	0655764-00	SOCKET HEAD SCREW.....	3
42	0159148-00	RETAINING RING.....	3
43	0156405-00	RING PAWL.....	1

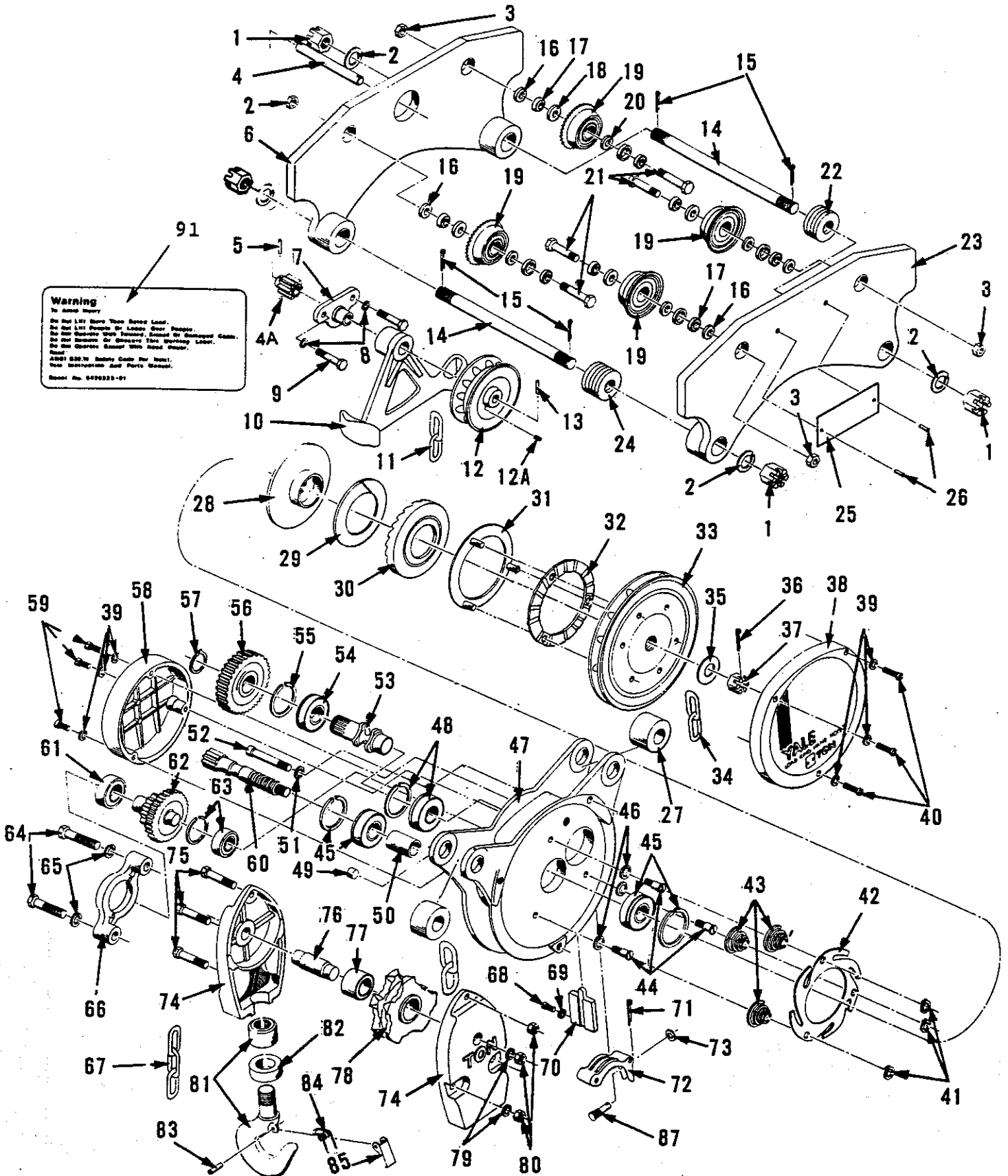
ITEM NUMBER	PART NUMBER	DESCRIPTION	QTY
44	0159622-00	RING PAWL SPRING	3
45	0151277-00	BEARING	2
46	0159799-00	RING PAWL STUD	3
47	0150323-00	LOCKWASHER	3
48	0573889-00	SUSPENSION FRAME	1
49	0182571-00	RATCHET LEVER PLUG	2
50	0161946-00	BEARING SPACER	1
51	0151279-00	BEARING SPACER	1
52	0155474-00	DRIVING PINION	1
53	0150368-00	SHAKEPROOF WASHER	2
54	6412041-00	SOCKET HEAD SCREW	2
55	6446003-00	LOAD SHEAVE	1
56	0151281-00	BEARING	1
57	6400469-20	RETAINING RING	1
58	0155365-00	LOAD GEAR	1
59	0159163-00	RETAINING RING	1
60	0155192-00	GEAR COVER	1
61	0655765-00	SOCKET HEAD SCREW	3
62	0151283-00	BEARING	1
63	0155385-00	INTERMEDIATE GEAR AND PINION	1
64	0151278-00	BEARING	1
65	0146462-00	GEAR SUPPORT BELT	2
66	0150370-00	SHAKEPROOF WASHER	2
67	0152018-00	GEAR SUPPORT	1
68	0655843-00	SOCKET HEAD SCREW	1
69	0150365-00	SHAKEPROOF WASHER	1
70	0164980-00	STRIPPER	1
71	0154196-00	COTTER PIN	1
72	0161040-00	PLAIN WASHER	1
73	0164961-00	LOAD CHAIN GUIDE	1
74	0510473-00	BOTTOM BLOCK HALF	2
75	0146393-00	HEX HEAD BOLT	3
76	0501935-00	SHAFT	1
77	6400269-01	ROLLER BEARING	1
78	6446023-00	SHEAVE	1
79	0150310-00	LOCKWASHER	3
80	0149369-00	HEX NUT	3
81	6458432-00	HOOK & NUT ASM (INCL 82-85, 94)	1
82	0501931-00	BOTTOM HOOK BEARING	1
83	*	RIVET	1
84	*	SPRING	1
85	*	LATCH	1
86	5024481-81	STAINLESS STEEL LOAD CHAIN (SPECIFY LENGTH)	1
87	0156923-00	CHAIN END PIN	1
88	0588154-00	DETACHABLE SHACKLE (NOT SHOWN)	1
89	0149376-00	SHACKLE NUT (NOT SHOWN)	1
90	0161109-00	WASHER (NOT SHOWN)	1
91	0504959-00	SHACKLE BOLT (NOT SHOWN)	1
92	0588346-00	SHACKLE BOLT NUT (NOT SHOWN)	1
93	6439323-01	WARNING DECAL	1
94	0511914-00	HOOK NUT ROLL PIN (NOT SHOWN)	1

\*Supplied in a kit only, number 5006958-00.

For safety lugs, track clamps, extended handwheel, chain containers, patent track trolley and Bullard Burnham hooks refer to unit marking when ordering parts.

**WHEN REPLACEMENT PARTS ARE NEEDED, ORDER ONLY YALE® FACTORY ENGINEERED PARTS**

LOAD KING TROLLEY HOIST



**Warning**  
To avoid injury:  
Do not lift more than rated load.  
Do not lift people or loads over people.  
Do not operate with hoist, unless by designed team.  
Do not attempt to operate the hoist with hoist.  
Do not operate hoist with hoist.  
Read: 2000 0000 Safety Code for Hoist.  
Use Instructions and Parts Manual.  
Serial No. 6470223-01

FIGURE 8 4 TON LOAD KING TROLLEY HOIST

WHEN REPLACEMENT PARTS ARE NEEDED, ORDER ONLY YALE® FACTORY ENGINEERED PARTS  
LOAD KING TROLLEY HOIST - 24 - REVISED NOVEMBER 1995



ITEM NUMBER	PART NUMBER	DESCRIPTION	QTY
1	0106722-00	SLOTTED NUT .....	4
2	0150299-00	LOCKWASHER .....	4
3	0149379-00	HEX NUT .....	4
4	0589649-00	TROLLEY WHEEL PINION SHAFT .....	1
4A	0588168-00	TROLLEY WHEEL PINION .....	1
5	0381400-00	LOCK PIN .....	1
6	0595196-00	TROLLEY SIDE PLATE (PLAIN) .....	1
	0589662-00	TROLLEY SIDE PLATE (GEARED) .....	1
7	0596773-00	SUPPORT BRACKET .....	1
8	0150266-00	LOCKWASHER .....	2
9	0146423-00	HEX BOLT .....	2
10	0588165-00	HAND CHAIN GUIDE .....	1
11	5024471-81	ALUMINUM HAND CHAIN (SPECIFY LENGTH) .....	1
12	0111132-00	HANDWHEEL .....	1
13	0319861-00	LOCK PIN .....	1
14	0588129-00	SUSPENSION PIN .....	2
15	0154219-00	COTTER PIN .....	4
16	0579174-00	TROLLEY WHEEL SPACER .....	4
17	0602352-00	CONE AND SEAL ASM .....	8
18	0602353-00	CUP .....	8
19	0664887-00	BRONZE TROLLEY WHEELS (PLAIN TROLLEY) .....	4
	0664887-00	BRONZE TROLLEY WHEELS (GEARED TROLLEY PLAIN	2
	0664886-00	BRONZE TROLLEY WHEELS (GEARED SIDE) .....	2
20	0579173-00	AXLE .....	4
21	0601083-00	BEARING SPACER .....	4
22	0236282-00	ADJUSTABLE WASHER .....	16
23	0589661-00	TROLLEY SIDE PLATE (PLAIN TROLLEY) .....	1
24	0535819-00	ADJUSTABLE WASHER .....	28
25	0513771-00	NAMEPLATE .....	1
26	0149894-00	NAMEPLATE RIVETS .....	2
27	0588130-00	SPACER .....	2
28	0127232-00	FRICITION PLATE .....	1
29	6484551-00	BRAKE DISC .....	1
30	0158079-00	RATCHET DISC .....	1
31	0154042-00	OILITE DISC .....	1
32	0159671-00	SPRING WASHER .....	1
33	0165102-00	HANDWHEEL .....	1
34	5024471-81	ALUMINUM HAND CHAIN (SPECIFY LENGTH) .....	1
35	0161405-00	CHECK WASHER .....	1
36	0154200-00	COTTER PIN .....	1
37	0149808-00	SLOTTED NUT .....	1
38	0514085-00	HAND CHAIN GUIDE AND STRIPPER .....	1
39	0150321-00	LOCKWASHER .....	6
40	0655764-00	SOCKET HEAD SCREW .....	3
41	0159148-00	RETAINING RING .....	3
42	0156405-00	RING PAWL .....	1
43	0159622-00	RING PAWL SPRING .....	3

WHEN REPLACEMENT PARTS ARE NEEDED, ORDER ONLY YALE® FACTORY ENGINEERED PARTS

LOAD KING TROLLEY HOIST

REVISED NOVEMBER 1995

ITEM NUMBER	PART NUMBER	DESCRIPTION	QTY
44	0159799-00	RING PAWL STUD . . . . .	3
45	0151277-00	BEARING . . . . .	2
46	0150323-00	LOCKWASHER . . . . .	3
47	0573889-00	SUSPENSION FRAME . . . . .	1
48	0151279-00	BEARING . . . . .	1
49	0182571-00	RATCHET LEVER PLUG . . . . .	2
50	0161946-00	BEARING SPACER . . . . .	1
51	0150368-00	SHAKEPROOF WASHER . . . . .	2
52	6412041-00	SOCKET HEAD SCREW . . . . .	2
53	6446013-00	LOAD SHEAVE . . . . .	1
54	0151281-00	BEARING . . . . .	1
55	6400469-20	RETAINING RING . . . . .	1
56	0155366-00	LOAD GEAR . . . . .	1
57	0159163-00	RETAINING RING . . . . .	3
58	0155192-00	GEAR COVER . . . . .	1
59	0655765-00	SOCKET HEAD SCREW . . . . .	3
60	0155474-00	DRIVING PINION . . . . .	1
61	0151283-00	BEARING . . . . .	1
62	0155386-00	INTERMEDIATE GEAR AND PINION . . . . .	1
63	0151278-00	BEARING . . . . .	1
64	0146462-00	GEAR SUPPORT BELT . . . . .	2
65	0150370-00	SHAKEPROOF WASHER . . . . .	2
66	0152018-00	GEAR SUPPORT . . . . .	1
67	5029961-81	STAINLESS STEEL LOAD CHAIN (SPECIFY LENGTH) . . . . .	1
68	0655843-00	SOCKET HEAD SCREW . . . . .	1
69	0150365-00	SHAKEPROOF WASHER . . . . .	1
70	0164980-00	STRIPPER . . . . .	1
71	0154196-00	COTTER PIN . . . . .	1
72	0164964-00	LOAD CHAIN GUIDE . . . . .	1
73	0161097-00	PLAIN WASHER . . . . .	1
74	0510474-00	BOTTOM BLOCK HALF . . . . .	2
75	0146393-00	HEX HEAD BOLT . . . . .	3
76	0501935-00	SHAFT . . . . .	1
77	6400269-01	ROLLER BEARING . . . . .	1
78	6432031-00	BOTTOM BLOCK SHEAVE . . . . .	1
79	0150310-00	LOCKWASHER . . . . .	3
80	0149369-00	HEX NUT . . . . .	3
81	6456782-00	HOOK & NUT ASM (INCL 82-85, & 92) . . . . .	1
82	0501932-00	BOTTOM HOOK BEARING . . . . .	1
83	*	RIVET . . . . .	1
84	*	SPRING . . . . .	1
85	*	LATCH . . . . .	1
86	0588154-00	DETACHABLE SHACKLE (NOT SHOWN) . . . . .	1
87	0149376-00	NUT (NOT SHOWN) . . . . .	1
88	0161109-00	WASHER (NOT SHOWN) . . . . .	1
89	0504959-00	SHACKLE BOLT . . . . .	1
90	0588346-00	SHACKLE BOLT NUT . . . . .	1
91	6439323-01	WARNING DECAL . . . . .	1
92	0592974-00	HOOK NUT ROLL PIN (NOT SHOWN) . . . . .	1

\*SUPPLIED IN A KIT ONLY, NUMBER 0628120-00

For safety lugs, track clamps, extended handwheel, chain containers, patent track trolley and Bullard Burnham hooks refer to unit marking when ordering parts.

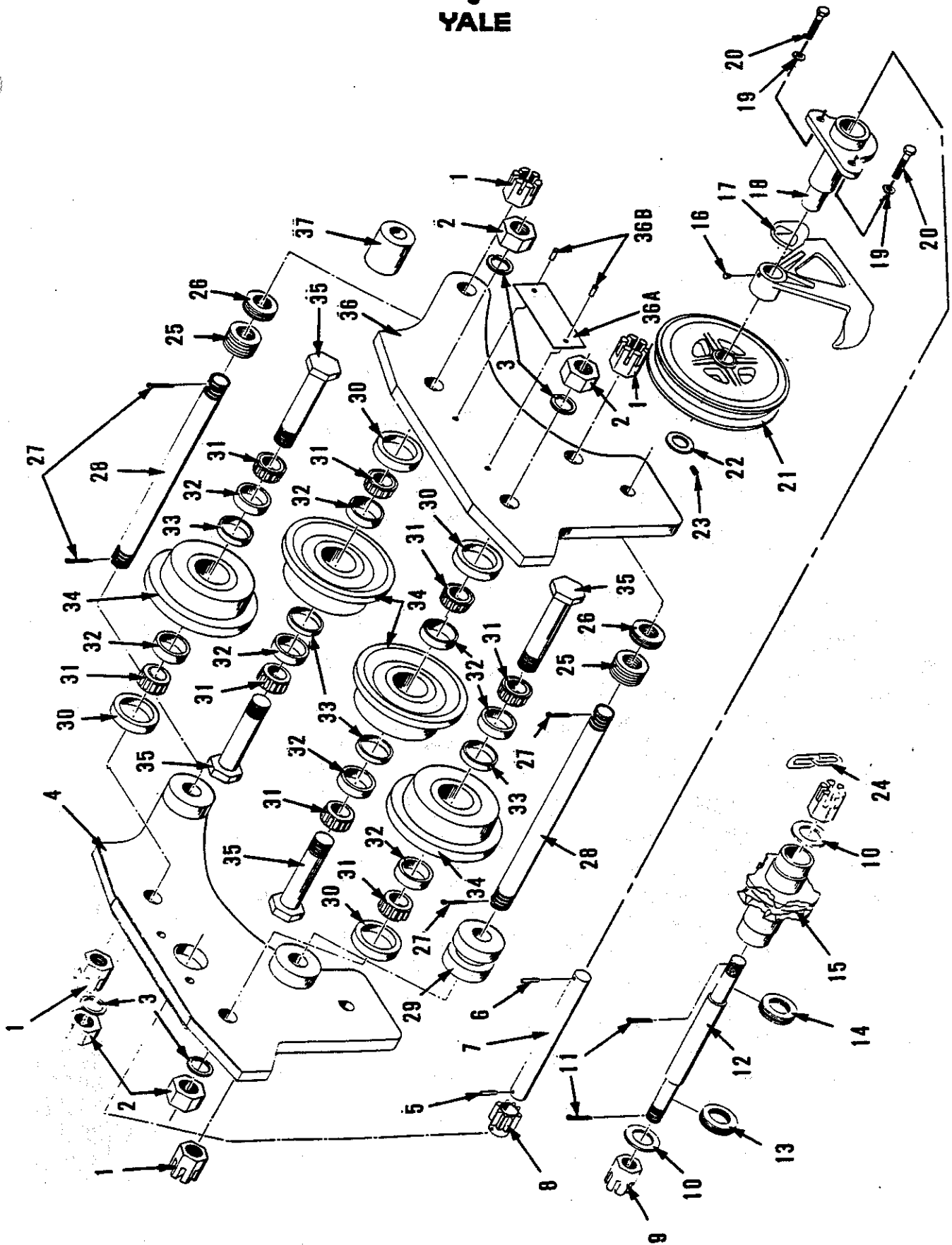


FIGURE 13 5 TON LOAD KING TROLLEY HOIST, TROLLEY PARTS

WHEN REPLACEMENT PARTS ARE NEEDED, ORDER ONLY YALE® FACTORY ENGINEERED PARTS  
LOAD KING TROLLEY HOIST



ITEM NUMBER	PART NUMBER	DESCRIPTION	QTY
1	0106722-00	SLOTTED NUT . . . . .	4
2	0149719-00	HEX NUT . . . . .	4
3	0150300-00	LOCKWASHER . . . . .	4
4	0596768-00	TROLLEY SIDE PLATE (PLAIN) . . . . .	1
	0596768-00	TROLLEY SIDE PLATE (GEARED) . . . . .	1
5	0157393-00	LOCK PIN . . . . .	1
6	0154214-00	COTTER PIN . . . . .	1
7	0589693-00	PINION SHAFT . . . . .	1
8	0589690-00	TROLLEY WHEEL PINION . . . . .	1
9	0149851-00	SLOTTED NUT . . . . .	1
10	0161201-00	WASHER . . . . .	2
11	0154219-00	COTTER PIN . . . . .	2
12	0597670-00	IDLER SHEAVE SHAFT . . . . .	1
13	0535819-00	ADJUSTING WASHER . . . . .	16
14	0236282-00	ADJUSTING WASHER . . . . .	*
15	6488201-00	IDLER SHEAVE ASM . . . . .	1
16	0182552-00	BALL VALVE OIL HOLE COVER . . . . .	2
17	0591410-00	HAND CHAIN GUIDE . . . . .	1
18	0591414-00	SUPPORT BRACKET . . . . .	1
19	0150266-00	LOCKWASHER . . . . .	2
20	0146423-00	HEX HEAD BOLT . . . . .	2
21	0535795-00	HANDWHEEL . . . . .	1
22	0250664-00	WASHER . . . . .	1
23	0388010-00	SET SCREW . . . . .	1
24	5024471-00	ALUMINUM HAND CHAIN . . . . .	1
25	0236282-00	ADJUSTING WASHER . . . . .	*
26	0236282-00	ADJUSTING WASHER . . . . .	*
27	0154219-00	COTTER PIN . . . . .	4
28	0589665-00	SUSPENSION PIN . . . . .	2
29	0602395-00	HAND CHAIN GUIDE AND SPACER . . . . .	1
30	0236024-00	TROLLEY WHEEL SPACER . . . . .	4
31	0646671-00	CONE . . . . .	8
32	0646670-00	CUP . . . . .	8
33	0646668-00	BEARING SPACER . . . . .	4
34	6404364-00	BRONZE TROLLEY WHEEL (PLAIN TROLLEY) . . . . .	4
	6404364-00	BRONZE TROLLEY WHEEL (GEARED TROLLEY PLAIN SIDE) . . . . .	2
	6404374-00	BRONZE TROLLEY WHEEL (GEARED SIDE) . . . . .	2
35	0589696-00	AXLE . . . . .	4
36	0596767-00	TROLLEY SIDE PLATE (GEARED) . . . . .	1
	0596767-00	TROLLEY SIDE PLATE (PLAIN) . . . . .	1
37	0588130-00	SPACER . . . . .	1
38	0187548-00	GREASE FITTING ALEMITE (NOT SHOWN) . . . . .	4
39	0111948-00	SHIM . . . . .	**
40	0646666-00	DUST GUARD . . . . .	4
	0646667-00	DUST GUARD . . . . .	4
41	0127232-00	FRICTION PLATE . . . . .	1
42	6484551-00	BRAKE DISC . . . . .	1
43	0158079-00	RATCHET DISC . . . . .	1
44	0154042-00	OILITE DISC . . . . .	1

ITEM NUMBER	PART NUMBER	DESCRIPTION	QTY
45	0159671-00	SPRING WASHER	1
46	0165102-00	HANDWHEEL	1
47	0161405-00	CHECKWASHER	1
48	5024471-81	ALUMINUM HAND CHAIN (SPECIFY LENGTH)	1
49	0154200-00	COTTER PIN	1
50	0149808-00	SLOTTED PIN	1
51	0514088-00	HAND CHAIN GUIDE AND COVER	1
52	0150321-00	LOCKWASHER	6
53	0655764-00	SOCKET HEAD SCREW	3
54	0159148-00	RETAINING RING	3
55	0156405-00	RING PAWL	1
56	0159622-00	RING PAWL SPRING	3
57	0151277-00	BEARING	2
58	0159799-00	RING PAWL STUD	3
59	0150323-00	LOCKWASHER	1
60	0573889-00	SUSPENSION FRAME	1
61	0182571-00	RATCHET LEVER PLUG	1
62	0161946-00	BEARING SPACER	1
63	0151279-00	BEARING	1
64	6446013-00	LOAD SHEAVE	1
65	0150368-00	SHAKEPROOF WASHER	1
66	6412041-00	SOCKET HEAD SCREW	2
67	0526155-00	DRIVING PINION	1
68	0151281-00	BEARING	1
69	6400469-20	RETAINING RING	1
70	0155366-00	LOAD GEAR	1
71	0159163-00	RETAINING RING	1
72	0155192-00	GEAR COVER	1
73	0156924-00	CHAIN END PIN	1
74	0655765-00	SOCKET HEAD SCREW	3
75	0151283-00	BEARING	1
76	0526154-00	INTERMEDIATE GEAR AND PINION	1
77	0151278-00	BEARING	1
78	0146462-00	GEAR SUPPORT BELT	2
79	0150370-00	SHAKEPROOF WASHER	2
80	0152018-00	GEAR SUPPORT	1
81	5029961-81	LOAD CHAIN (SPECIFY LENGTH)	1
82	0655843-00	SOCKET HEAD SCREW	1
83	0150365-00	SHAKEPROOF WASHER	1
84	0164980-00	STRIPPER	1
85	0154196-00	COTTER PIN	1
86	0161097-00	PLAIN WASHER	1
87	0164964-00	LOAD CHAIN GUIDE	1
88	0512370-00	CHAIN ANCHOR BOLT	1
89	0512370-00	ANCHOR BOLT	2
90	0512226-00	BOTTOM BLOCK HALF	2
91	0506511-00	SHEAVE PIN	1
92	0513891-00	BOTTOM SHEAVE BEARING	1

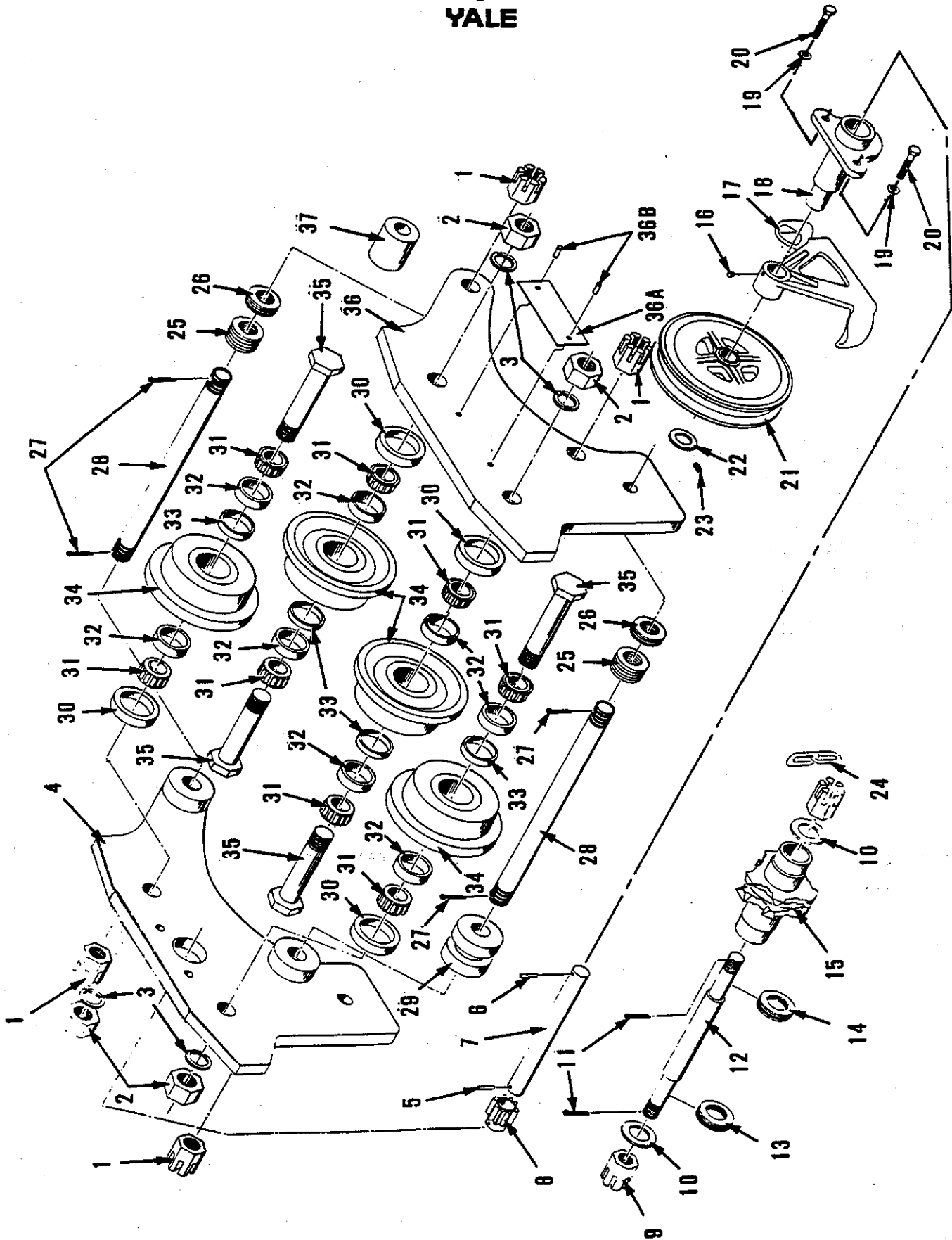
WHEN REPLACEMENT PARTS ARE NEEDED, ORDER ONLY YALE® FACTORY ENGINEERED PARTS

LOAD KING TROLLEY HOIST

ITEM NUMBER	PART NUMBER	DESCRIPTION	QTY
93	6488201-00	BOTTOM BLOCK SHEAVE . . . . .	1
94	0150155-00	STOVER LOCKNUT . . . . .	1
95	0150266-00	LOCKWASHER . . . . .	2
96	0149372-00	HEX NUT . . . . .	2
97	0334120-00	BOTTOM HOOK BEARING . . . . .	1
98*	6416512-00	HOOK & NUT ASM (INCL 99-101, 113) . . . . .	1
99	***	RIVET . . . . .	1
100	***	SPRING . . . . .	1
101	***	LATCH . . . . .	1
102	0513771-00	NAMEPLATE . . . . .	1
103	0149894-00	NAMEPLATE RIVETS . . . . .	2
104	0579612-00	STOP (NOT SHOWN) . . . . .	1
105	0146496-00	BOLT . . . . .	1
106	0150296-00	LOCKWASHER . . . . .	1
107	0149715-00	HEX NUT . . . . .	1
108	0579612-00	STOP (NOT SHOWN) . . . . .	1
109	0350275-00	HEX HEAD BOLT (NOT SHOWN) . . . . .	1
110	0401009-00	LOCKWASHER (NOT SHOWN) . . . . .	1
111	0379031-00	HEX NUT (NOT SHOWN) . . . . .	1
112	6439323-01	WARNING DECAL . . . . .	1
113	0592974-00	HOOK NUT ROLL PIN (NOT SHOWN) . . . . .	1

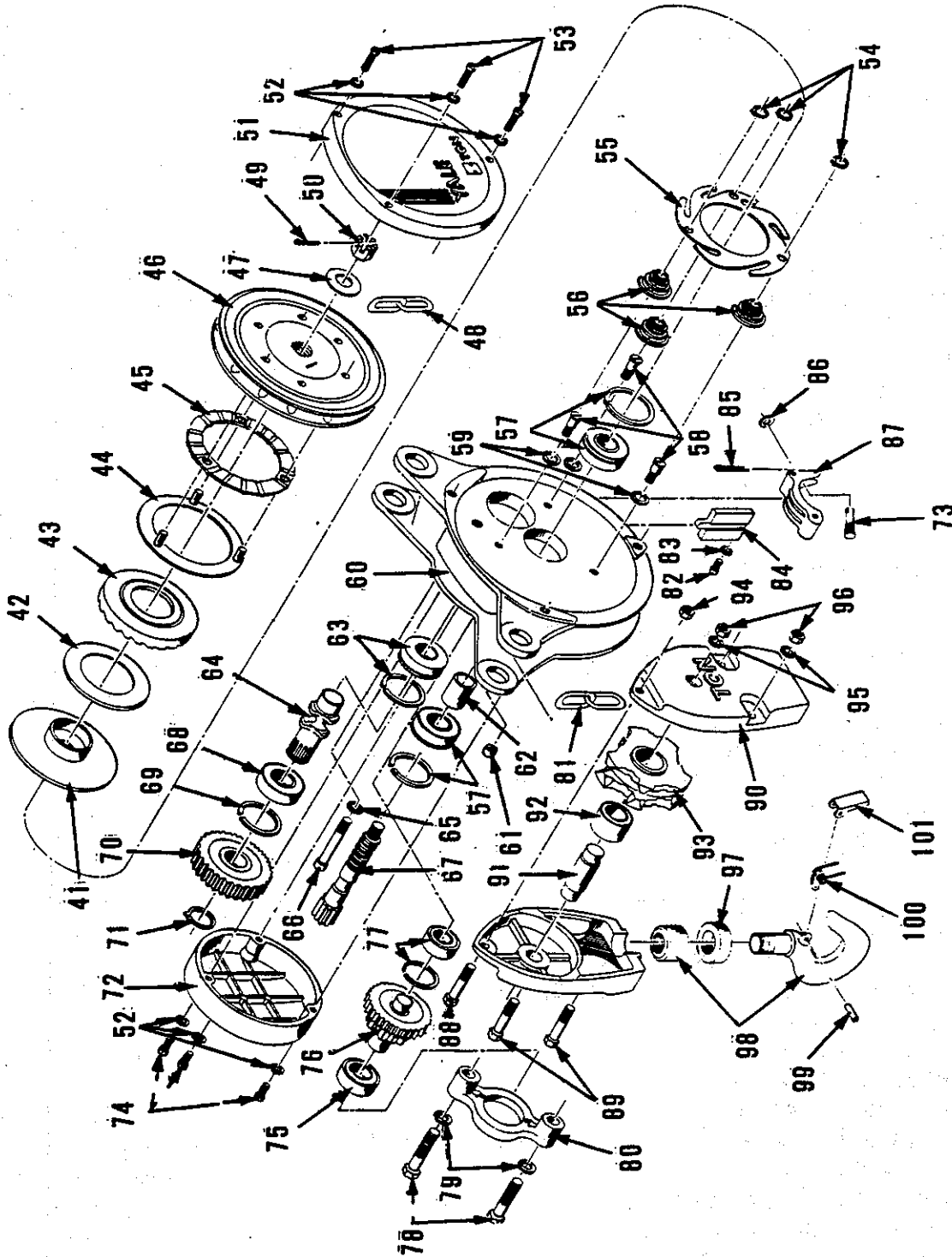
- \* TOTAL REQUIRED AS UNIT (3)
- \*\* AS REQUIRED
- \*\*\* SUPPLIED IN A KIT ONLY, NUMBER 0628120-00

For safety lugs, track clamps, extended handwheel, chain containers, patent track trolley and Bullard Burnham hooks refer to unit marking when ordering parts.



**FIGURE 11. 6 TON LOAD KING TROLLEY HOIST, TROLLEY PARTS**  
WHEN REPLACEMENT PARTS ARE NEEDED, ORDER ONLY YALE® FACTORY ENGINEERED PARTS  
LOAD KING TROLLEY HOIST  
- 32 -  
REVISED NOVEMBER 1995





112

**Warning**  
 Do not use any parts that are not factory engineered. The use of non-factory parts may void the warranty and could result in injury or death. For more information, contact your local distributor or call 1-800-424-4242.

**FIGURE 12. 6 TON LOAD KING TROLLEY HOIST, HOIST PARTS**  
**WHEN REPLACEMENT PARTS ARE NEEDED, ORDER ONLY YALE® FACTORY ENGINEERED PARTS**  
 LOAD KING TROLLEY HOIST - 33 - REVISED NOVEMBER 1995

ITEM NUMBER	PART NUMBER	DESCRIPTION	QTY
1	0106722-00	SLOTTED NUT . . . . .	4
2	0149719-00	HEX NUT . . . . .	4
3	0150300-00	LOCKWASHER . . . . .	4
4	0596768-00	TROLLEY SIDE PLATE (PLAIN) . . . . .	1
	0596768-00	TROLLEY SIDE PLATE (GEARED) . . . . .	1
5	0157393-00	LOCK PIN . . . . .	1
6	0154214-00	COTTER PIN . . . . .	1
7	0589693-00	PINION SHAFT . . . . .	1
8	0589690-00	TROLLEY WHEEL PINION . . . . .	1
9	0149851-00	SLOTTED NUT . . . . .	1
10	0161201-00	WASHER . . . . .	2
11	0154219-00	COTTER PIN . . . . .	2
12	0597670-00	IDLER SHEAVE SHAFT . . . . .	1
13	0535819-00	ADJUSTING WASHER . . . . .	16
14	0236282-00	ADJUSTING WASHER . . . . .	*
15	6488201-00	IDLER SHEAVE ASM . . . . .	1
16	0182552-00	BALL VALVE OIL HOLE COVER . . . . .	2
17	0591410-00	HAND CHAIN GUIDE . . . . .	1
18	0591414-00	SUPPORT BRACKET . . . . .	1
19	0150266-00	LOCKWASHER . . . . .	2
20	0146423-00	HEX HEAD BOLT . . . . .	2
21	0535795-00	HANDWHEEL . . . . .	1
22	0250664-00	WASHER . . . . .	1
23	0388010-00	SET SCREW . . . . .	1
24	5024471-00	ALUMINUM HAND CHAIN . . . . .	1
25	0236282-00	ADJUSTING WASHER . . . . .	*
26	0236282-00	ADJUSTING WASHER . . . . .	*
27	0154219-00	COTTER PIN . . . . .	4
28	0589665-00	SUSPENSION PIN . . . . .	2
29	0602395-00	HAND CHAIN GUIDE AND SPACER . . . . .	1
30	0236024-00	TROLLEY WHEEL SPACER . . . . .	4
31	0646671-00	CONE . . . . .	8
32	0646670-00	CUP . . . . .	8
33	0646668-00	BEARING SPACER . . . . .	4
34	6404364-00	BRONZE TROLLEY WHEEL (PLAIN TROLLEY) . . . . .	4
	6404364-00	BRONZE TROLLEY WHEEL (GEARED TROLLEY PLAIN SIDE) . . . . .	2
	6404374-00	BRONZE TROLLEY WHEEL (GEARED SIDE) . . . . .	2
35	0589696-00	AXLE . . . . .	4
36	0596767-00	TROLLEY SIDE PLATE (GEARED) . . . . .	1
	0596767-00	TROLLEY SIDE PLATE (PLAIN) . . . . .	1
37	0588130-00	SPACER . . . . .	1
38	0187548-00	GREASE FITTING ALEMITE (NOT SHOWN) . . . . .	4
39	0111948-00	SHIM . . . . .	**
40	0646666-00	DUST GUARD . . . . .	4
	0646667-00	DUST GUARD . . . . .	4
41	0127232-00	FRICTION PLATE . . . . .	1
42	6484551-00	BRAKE DISC . . . . .	1
43	0158079-00	RATCHET DISC . . . . .	1
44	0154042-00	OILITE DISC . . . . .	1

ITEM NUMBER	PART NUMBER	DESCRIPTION	QTY
45	0159671-00	SPRING WASHER . . . . .	1
46	0165102-00	HANDWHEEL . . . . .	1
47	0161405-00	CHECKWASHER . . . . .	1
48	5024471-81	ALUMINUM HAND CHAIN (SPECIFY LENGTH) . . . . .	1
49	0154200-00	COTTER PIN. . . . .	1
50	0149808-00	SLOTTED PIN . . . . .	1
51	0514088-00	HAND CHAIN GUIDE AND COVER . . . . .	1
52	0150321-00	LOCKWASHER. . . . .	6
53	0655764-00	SOCKET HEAD SCREW . . . . .	3
54	0159148-00	RETAINING RING. . . . .	3
55	0156405-00	RING PAWL . . . . .	1
56	0159622-00	RING PAWL SPRING. . . . .	3
57	0151277-00	BEARING . . . . .	2
58	0159799-00	RING PAWL STUD . . . . .	3
59	0150323-00	LOCKWASHER. . . . .	1
60	0573889-00	SUSPENSION FRAME . . . . .	1
61	0182571-00	RATCHET LEVER PLUG . . . . .	1
62	0161946-00	BEARING SPACER. . . . .	1
63	0151279-00	BEARING . . . . .	1
64	6446013-00	LOAD SHEAVE . . . . .	1
65	0150368-00	SHAKEPROOF WASHER . . . . .	1
66	6412041-00	SOCKET HEAD SCREW . . . . .	2
67	0526155-00	DRIVING PINION . . . . .	1
68	0151281-00	BEARING . . . . .	1
69	6400469-20	RETAINING RING. . . . .	1
70	0155366-00	LOAD GEAR . . . . .	1
71	0159163-00	RETAINING RING. . . . .	1
72	0155192-00	GEAR COVER . . . . .	1
73	0156924-00	CHAIN END PIN . . . . .	1
74	0655765-00	SOCKET HEAD SCREW . . . . .	3
75	0151283-00	BEARING . . . . .	1
76	0526154-00	INTERMEDIATE GEAR AND PINION . . . . .	1
77	0151278-00	BEARING . . . . .	1
78	0146462-00	GEAR SUPPORT BELT . . . . .	2
79	0150370-00	SHAKEPROOF WASHER . . . . .	2
80	0152018-00	GEAR SUPPORT . . . . .	1
81	5029961-81	LOAD CHAIN (SPECIFY LENGTH) . . . . .	1
82	0655843-00	SOCKET HEAD SCREW . . . . .	1
83	0150365-00	SHAKEPROOF WASHER . . . . .	1
84	0164980-00	STRIPPER . . . . .	1
85	0154196-00	COTTER PIN . . . . .	1
86	0161097-00	PLAIN WASHER . . . . .	1
87	0164964-00	LOAD CHAIN GUIDE . . . . .	1
88	0512370-00	CHAIN ANCHOR BOLT . . . . .	1
89	0512370-00	ANCHOR BOLT . . . . .	2
90	0512226-00	BOTTOM BLOCK HALF . . . . .	2
91	0506511-00	SHEAVE PIN . . . . .	1
92	0513891-00	BOTTOM SHEAVE BEARING . . . . .	1

ITEM NUMBER	PART NUMBER	DESCRIPTION	QTY
93	6488201-00	BOTTOM BLOCK SHEAVE . . . . .	1
94	0150155-00	STOVER LOCKNUT . . . . .	1
95	0150266-00	LOCKWASHER . . . . .	2
96	0149372-00	HEX NUT . . . . .	2
97	0334120-00	BOTTOM HOOK BEARING . . . . .	1
98*	6475192-01	HOOK & NUT ASM (INCL 97, 99-101, & 113) . . . . .	1
99	***	RIVET . . . . .	1
100	***	SPRING . . . . .	1
101	***	LATCH . . . . .	1
102	0513771-00	NAMEPLATE . . . . .	1
103	0149894-00	NAMEPLATE RIVETS . . . . .	2
104	0579612-00	STOP (NOT SHOWN) . . . . .	1
105	0146496-00	BOLT . . . . .	1
106	0150296-00	LOCKWASHER . . . . .	1
107	0149715-00	HEX NUT . . . . .	1
108	0579612-00	STOP (NOT SHOWN) . . . . .	1
109	0350275-00	HEX HEAD BOLT (NOT SHOWN) . . . . .	1
110	0401009-00	LOCKWASHER (NOT SHOWN) . . . . .	1
111	0379031-00	HEX NUT (NOT SHOWN) . . . . .	1
112	6439323-01	WARNING DECAL . . . . .	1
113	0592974-00	HOOK NUT ROLL PIN (NOT SHOWN) . . . . .	1

For safety lugs, track clamps, extended handwheel, chain containers, patent track trolley and Bullard Burnham hooks refer to unit marking when ordering parts.

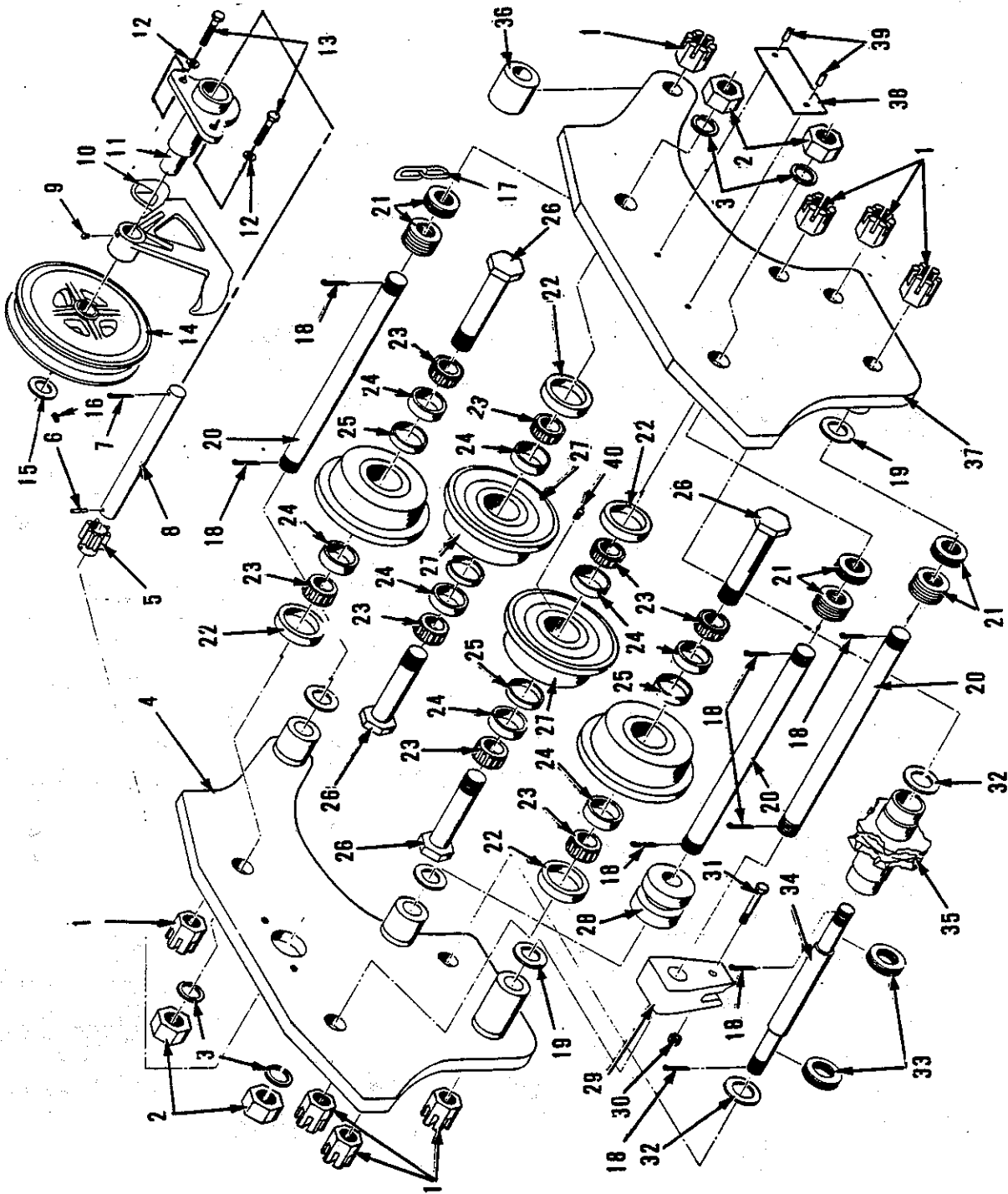


FIGURE 15 8 TON LOAD KING TROLLEY HOIST, TROLLEY PARTS

WHEN REPLACEMENT PARTS ARE NEEDED, ORDER ONLY YALE® FACTORY ENGINEERED PARTS  
LOAD KING TROLLEY HOIST



ITEM NUMBER	PART NUMBER	DESCRIPTION	QTY
1	0106722-00	SLOTTED NUT . . . . .	8
2	0149719-00	HEX NUT . . . . .	4
3	0150300-00	LOCKWASHER . . . . .	4
4	0589689-00	TROLLEY SIDE PLATE (GEARED) . . . . .	1
	0589689-00	TROLLEY SIDE PLATE (PLAIN) . . . . .	1
5	0589690-00	TROLLEY WHEEL PINION . . . . .	1
6	0157393-00	DRIVE LOCK PIN . . . . .	1
7	0154214-00	COTTER PIN . . . . .	1
8	0589693-00	PINION SHAFT . . . . .	1
9	0182552-00	BALL VALVE OIL HOLE COVER . . . . .	2
10	0591410-00	HAND CHAIN GUIDE . . . . .	1
11	0591414-00	HANDWHEEL SUPPORT BRACKET . . . . .	1
12	0150266-00	LOCKWASHER . . . . .	2
13	0146423-00	HEX BOLT . . . . .	2
14	0535795-00	HANDWHEEL . . . . .	1
15	0250664-00	WASHER . . . . .	1
16	0388010-00	SET SCREW . . . . .	1
17	5024471-81	ALUMINUM HAND CHAIN (SPECIFY LENGTH) . . . . .	1
18	0154219-00	COTTER PIN . . . . .	8
19	0161201-00	WASHER . . . . .	2
20	0589665-00	SUSPENSION PIN . . . . .	3
21	0236282-00	ADJUSTING WASHERS . . . . .	46
22	0236024-00	TROLLEY WHEEL SPACER . . . . .	4
23	0646671-00	CONE . . . . .	8
24	0646670-00	CUP . . . . .	8
25	0646668-00	BEARING SPACER . . . . .	4
26	0589696-00	AXLE . . . . .	4
27	6404364-00	BRONZE TROLLEY WHEEL (PLAIN TROLLEY) . . . . .	4
	6404364-00	BRONZE TROLLEY WHEEL (GEARED TROLLEY PLAIN SIDE) . . . . .	2
	6404374-00	BRONZE TROLLEY WHEEL (GEARED SIDE) . . . . .	2
28	0602395-00	HAND CHAIN GUIDE AND SPACER . . . . .	1
29	0591417-00	CHAIN ANCHOR . . . . .	1
30	0150155-00	NUT . . . . .	1
31	0512370-00	BOLT . . . . .	1
32	0535819-00	ADJUSTING WASHER . . . . .	2
33	0535819-00	ADJUSTING WASHER . . . . .	12
34	0597670-00	IDLER SHEAVE SHAFT . . . . .	1
35	6488201-00	IDLER SHEAVE ASM . . . . .	1
36	0588130-00	SPACER . . . . .	1
37	0589688-00	TROLLEY SIDE PLATE (PLAIN) . . . . .	1
38	0513771-00	NAMEPLATE . . . . .	1
39	0149894-00	NAMEPLATE DRIVE SCREWS . . . . .	2
40	0187548-00	GREASE FITTING . . . . .	4
41	0111948-00	SHIM . . . . .	*

ITEM NUMBER	PART NUMBER	DESCRIPTION	QTY
42	0646666-00	DUST GUARD	4
43	0646667-00	DUST GUARD	4
44	0127232-00	FRICITION PLATE	1
45	6484551-00	BRAKE DISC	1
46	0158079-00	RATCHET DISC	1
47	0154042-00	OILITE DISC	1
48	0159671-00	SPRING WASHER	1
49	0165102-00	HANDWHEEL	1
50	0161405-00	CHECKWASHER	1
51	0154200-00	COTTER PIN	1
52	0149808-00	SLOTTED NUT	1
53	5024471-81	ALUMINUM HAND CHAIN (SPECIFY LENGTH)	1
54	0514089-00	HAND CHAIN GUIDE AND COVER	1
55	0150321-00	LOCKWASHER	6
56	0655764-00	SOCKET HEAD SCREW	3
57	0159148-00	RETAINING RING	3
58	0156405-00	RING PAWL	1
59	0159622-00	RING PAWL SPRING	3
60	0159799-00	RING PAWL STUD	3
61	0151277-00	BALL BEARING	2
62	0150323-00	LOCKWASHER	3
63	0573889-00	SUSPENSION FRAME	1
64	0151279-00	BALL BEARING	1
65	0182571-00	RATCHET LEVER PLUG	2
66	0161946-00	BALL BEARING SPACER	1
67	6446013-00	LOAD SHEAVE	1
68	0151281-00	BALL BEARING	1
68A	6400469-20	RETAINING RING	1
69	0155366-00	LOAD GEAR	1
70	0159163-00	RETAINING RING	1
70A	0155192-00	GEAR COVER	1
71	0150368-00	SHAKEPROOF WASHER	2
72	6412041-00	SOCKET HEAD CAP SCREW	2
73	0526155-00	DRIVING PINION	1
74	0655765-00	SOCKET HEAD SCREW	3
75	0151283-00	INTERMEDIATE GEAR AND PINION	1
76	0526154-00	COTTER PIN	1
77	0151278-00	BALL BEARING	1
78	0146462-00	GEAR SUPPORT BOLT	2
79	0150370-00	LOCKWASHER	2
80	0152018-00	GEAR SUPPORT	1
81	5029961-81	STAINLESS STEEL LOAD CHAIN (SPECIFY LENGTH)	1
82	0655843-00	SOCKET HEAD SCREW	1
83	0150365-00	SHAKEPROOF WASHER	1
84	0164980-00	STRIPPER	1
85	0154196-00	COTTER PIN	1



ITEM NUMBER	PART NUMBER	DESCRIPTION	QTY
86	0161097-00	PLAIN WASHER . . . . .	1
87	0164964-00	LOAD CHAIN GUIDE . . . . .	1
88	0156924-00	CHAIN END PIN . . . . .	1
89	0150155-00	STOVER LOCKNUT . . . . .	4
90	0512299-00	BOTTOM BLOCK HALF . . . . .	2
91	0513891-00	SHEAVE BEARING . . . . .	2
92	0505401-00	BOTTOM BLOCK SHEAVE . . . . .	2
93	0506511-00	BOTTOM SHEAVE PIN. . . . .	2
94	0146431-00	HEX BOLT . . . . .	4
95	6499660-00	HOOK & NUT ASM (INCL 96-99, 100) . . . . .	1
96	0513892-00	BOTTOM HOOK BEARING . . . . .	1
97	**	RIVET . . . . .	1
98	**	SPRING . . . . .	1
99	**	LATCH . . . . .	1
100	6439323-01	WARNING DECAL . . . . .	1
101	0594798-00	HOOK NUT ROLL PIN (NOT SHOWN). . . . .	1

\* AS REQUIRED

\*\* SUPPLIED AS A KIT ONLY, NUMBER 0616675-00

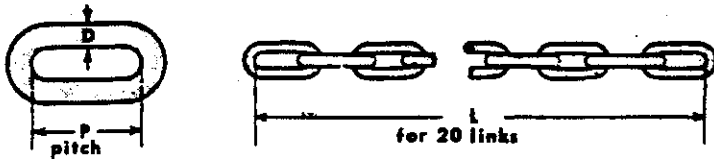
For safety lugs, track clamps, extended handwheel, chain containers, patent track trolley and Bullard Burnham hooks refer to unit marking when ordering parts.

**MAINTENANCE**



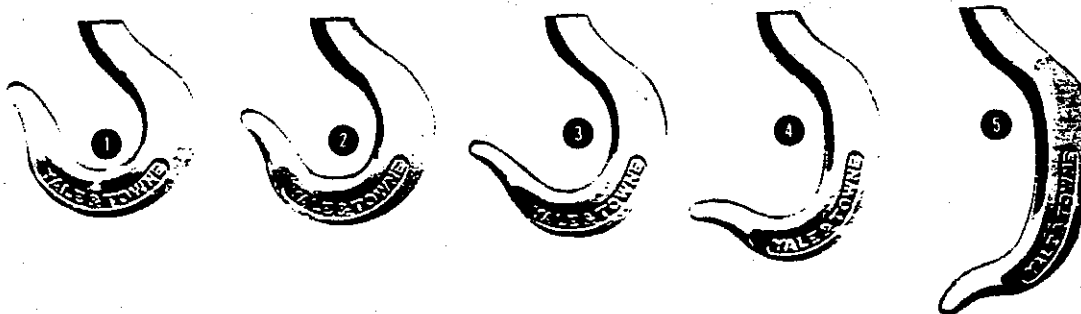
LUBRICATE AS PER PAGES 3 AND 6  
 ALWAYS USE SLINGS, DO NOT WRAP LOAD CHAIN AROUND LOAD

NEW LOAD AND HAND CHAIN WILL  
 MEASURE THESE DIMENSIONS:



"D" - INCHES	1/4" HAND	1/4" LOAD	5/16"	3/8"	7/16"
"P" - INCHES	1.046	.758	.905	1.125	1.312
"L" - INCHES	20.92	15.00	18.10	22.50	25.24
CAPACITY USED ON	ALL	1/2, 1, 1 1/2		4, 5, 6, 8, 10, 12	

**YALE STEEL HOOKS**



YALE HOOKS ARE DROP FORGED TO OUR SPECIFICATIONS FROM A SPECIAL STEEL THAT ALLOWS THEM, IF SEVERELY OVERLOADED TO OPEN SLOWLY WITHOUT FRACTURE, GIVING VISIBLE WARNING OF DANGER. THE "SAFETY VALVE" OF EACH YALE CHAIN HOIST - IN THE ABOVE VIEWS OF A ONE TON YALE HOOK, NO. 1, 2, 3 AND 4 SHOW THE EFFECT OF INCREASING LOADS, NO. 4 BEING OVERLOADED NEARLY 3 1/2 TIMES THE RATED CAPACITY. NO. 5 SHOWS HOW IT COMPLETELY OPENED WITHOUT FRACTURE.

OPENED HOOKS AND STRETCHED LOAD CHAIN ARE THE RESULT OF ABUSE AND NEGLECT. THE FOLLOWING TABLE WILL ASSIST IN CHECKING UP YALE HOOKS.

**DIMENSIONS IN INCHES**

CAP TONS	E NORMAL	E MAX	E NORMAL	E MAX
1/2	1.125	1.500	1.000	1.375
1	1.312	1.850	1.125	1.562
1 1/2	1.500	2.000	1.312	1.812
2 & 3	1.500	2.000	1.312	1.812
4	1.587	2.250	1.468	2.062
5 & 6	2.082	2.750	1.937	2.625
8	2.437	3.250	2.250	3.062
10 & 12	2.750	3.587	2.562	3.500

FIGURE 19 CHAIN DIMENSIONS AND HOOK OPENINGS



*[The text in this document is extremely faint and illegible. It appears to be a multi-paragraph document, possibly a letter or a report, but the specific words and sentences cannot be discerned.]*

## HAND HOIST INSPECTION CHECK LIST

SEE PREVENTIVE MAINTENANCE SECTION OF INSTRUCTION MANUAL FOR DETAILS.

CHECK ONLY COMPONENTS APPLICABLE FOR SPECIFIC EQUIPMENT AND INSPECTION TYPE.

HOIST MODEL \_\_\_\_\_

HOIST S/N \_\_\_\_\_

HOOKS	YES	NO	LOAD BEARING PARTS	YES	NO	CHAINS	YES	NO
HARDWARE LOOSE	<input type="checkbox"/>	<input type="checkbox"/>	WORN CLEVIS OR YOKE	<input type="checkbox"/>	<input type="checkbox"/>	BINDING	<input type="checkbox"/>	<input type="checkbox"/>
CRACKS	<input type="checkbox"/>	<input type="checkbox"/>	LOOSE CHAIN ATTACHMENTS	<input type="checkbox"/>	<input type="checkbox"/>	CRACKED	<input type="checkbox"/>	<input type="checkbox"/>
EXCESSIVE WEAR	<input type="checkbox"/>	<input type="checkbox"/>	WORN OR CRACKED GEAR TEETH	<input type="checkbox"/>	<input type="checkbox"/>	TWISTED	<input type="checkbox"/>	<input type="checkbox"/>
BENT	<input type="checkbox"/>	<input type="checkbox"/>				DISTORTED	<input type="checkbox"/>	<input type="checkbox"/>
SPREADING	<input type="checkbox"/>	<input type="checkbox"/>				CORRODED	<input type="checkbox"/>	<input type="checkbox"/>
FREELY ROTATE	<input type="checkbox"/>	<input type="checkbox"/>				EXCESSIVE WEAR OR STRETCH	<input type="checkbox"/>	<input type="checkbox"/>
LATCH DAMAGED OR MISSING	<input type="checkbox"/>	<input type="checkbox"/>				WORN CHAIN GUIDES	<input type="checkbox"/>	<input type="checkbox"/>
<b>BRAKES</b>			<b>OVERLOAD DEVICE</b>			<b>SHEAVES</b>		
Pawl worn or not operating	<input type="checkbox"/>	<input type="checkbox"/>	OPERATING PROPERLY (LIMIT CLUTCH)	<input type="checkbox"/>	<input type="checkbox"/>	WORN EXCESSIVELY	<input type="checkbox"/>	<input type="checkbox"/>
WORN RATCHET DISC	<input type="checkbox"/>	<input type="checkbox"/>				CRACKED OR SCORED	<input type="checkbox"/>	<input type="checkbox"/>
EXCESSIVE DISC WEAR	<input type="checkbox"/>	<input type="checkbox"/>				BEARING NOISE	<input type="checkbox"/>	<input type="checkbox"/>
GLAZED OR OILY	<input type="checkbox"/>	<input type="checkbox"/>						
<b>HOUSING</b>			<b>WARNING LABELS</b>			<b>LUBRICATION</b>		
DISTORTED	<input type="checkbox"/>	<input type="checkbox"/>	MISSING	<input type="checkbox"/>	<input type="checkbox"/>	ALL POINTS LUBRICATED AS GIVEN IN LUB CHART	<input type="checkbox"/>	<input type="checkbox"/>
CRACKS	<input type="checkbox"/>	<input type="checkbox"/>	ILLEGIBLE	<input type="checkbox"/>	<input type="checkbox"/>	CHAIN LUBRICATED AS RECOMMENDED	<input type="checkbox"/>	<input type="checkbox"/>
HARDWARE LOOSE	<input type="checkbox"/>	<input type="checkbox"/>						
<b>SUPPORTING STRUCTURE</b>								
CONTINUED ABILITY TO SUPPORT IMPOSED LOADS								
WORN OR DISTORTED TROLLEY PARTS								

NOTE: IF ANY (☐) IS CHECKED DO NOT OPERATE THE HOIST UNTIL REPAIRS HAVE BEEN MADE.

REMARKS AND REPAIRS MADE \_\_\_\_\_

\_\_\_\_\_

\_\_\_\_\_

\_\_\_\_\_

\_\_\_\_\_

\_\_\_\_\_

\_\_\_\_\_

\_\_\_\_\_

\_\_\_\_\_

\_\_\_\_\_

\_\_\_\_\_

SIGNATURE \_\_\_\_\_ DATE \_\_\_\_\_ CLOCK NUMBER \_\_\_\_\_

# HAND HOIST INSPECTION CHECK LIST

SEE PREVENTIVE MAINTENANCE SECTION OF INSTRUCTION MANUAL FOR DETAILS.

CHECK ONLY COMPONENTS APPLICABLE FOR SPECIFIC EQUIPMENT AND INSPECTION TYPE.

MODEL \_\_\_\_\_

HOIST S/N \_\_\_\_\_

HOOKS	YES	NO	LOAD BEARING PARTS	YES	NO	CHAINS	YES	NO
HARDWARE LOOSE	<input type="checkbox"/>	<input type="checkbox"/>	WORN CLEVIS OR YOKE	<input type="checkbox"/>	<input type="checkbox"/>	BINDING	<input type="checkbox"/>	<input type="checkbox"/>
CRACKS	<input type="checkbox"/>	<input type="checkbox"/>	LOOSE CHAIN ATTACHMENTS	<input type="checkbox"/>	<input type="checkbox"/>	CRACKED	<input type="checkbox"/>	<input type="checkbox"/>
EXCESSIVE WEAR	<input type="checkbox"/>	<input type="checkbox"/>	WORN OR CRACKED GEAR TEETH	<input type="checkbox"/>	<input type="checkbox"/>	TWISTED	<input type="checkbox"/>	<input type="checkbox"/>
BENT	<input type="checkbox"/>	<input type="checkbox"/>				DISTORTED	<input type="checkbox"/>	<input type="checkbox"/>
SPREADING	<input type="checkbox"/>	<input type="checkbox"/>				CORRODED	<input type="checkbox"/>	<input type="checkbox"/>
FREELY ROTATE	<input type="checkbox"/>	<input type="checkbox"/>				EXCESSIVE WEAR OR STRETCH	<input type="checkbox"/>	<input type="checkbox"/>
LATCH DAMAGED OR MISSING	<input type="checkbox"/>	<input type="checkbox"/>				WORN CHAIN GUIDES	<input type="checkbox"/>	<input type="checkbox"/>
<hr/>								
BRAKES	YES	NO	OVERLOAD DEVICE	YES	NO	SHEAVES	YES	NO
PAWL WORN OR NOT OPERATING	<input type="checkbox"/>	<input type="checkbox"/>	OPERATING PROPERLY (LIMIT CLUTCH)	<input type="checkbox"/>	<input type="checkbox"/>	WORN EXCESSIVELY	<input type="checkbox"/>	<input type="checkbox"/>
WORN RATCHET DISC	<input type="checkbox"/>	<input type="checkbox"/>				CRACKED OR SCORED	<input type="checkbox"/>	<input type="checkbox"/>
EXCESSIVE DISC WEAR	<input type="checkbox"/>	<input type="checkbox"/>				BEARING NOISE	<input type="checkbox"/>	<input type="checkbox"/>
GLAZED OR OILY	<input type="checkbox"/>	<input type="checkbox"/>						
<hr/>								
HOUSING	YES	NO	WARNING LABELS	YES	NO	LUBRICATION	YES	NO
DISTORTED	<input type="checkbox"/>	<input type="checkbox"/>	MISSING	<input type="checkbox"/>	<input type="checkbox"/>	ALL POINTS LUBRICATED AS GIVEN IN LUB CHART	<input type="checkbox"/>	<input type="checkbox"/>
CRACKS	<input type="checkbox"/>	<input type="checkbox"/>	ILLEGIBLE	<input type="checkbox"/>	<input type="checkbox"/>	CHAIN LUBRICATED AS RECOMMENDED	<input type="checkbox"/>	<input type="checkbox"/>
SCREWS ARE LOOSE	<input type="checkbox"/>	<input type="checkbox"/>						
<hr/>								
SUPPORTING STRUCTURE	YES	NO						
<hr/>								
CONTINUED ABILITY TO SUPPORT IMPOSED LOADS	YES	NO						
WORN OR DISTORTED TROLLEY PARTS	<input type="checkbox"/>	<input type="checkbox"/>						

NOTE: IF ANY (X) IS CHECKED DO NOT OPERATE THE HOIST UNTIL REPAIRS HAVE BEEN MADE.

REMARKS AND REPAIRS MADE \_\_\_\_\_

\_\_\_\_\_

\_\_\_\_\_

\_\_\_\_\_

\_\_\_\_\_

\_\_\_\_\_

\_\_\_\_\_

\_\_\_\_\_

\_\_\_\_\_

\_\_\_\_\_

\_\_\_\_\_

\_\_\_\_\_

\_\_\_\_\_

\_\_\_\_\_

\_\_\_\_\_

\_\_\_\_\_

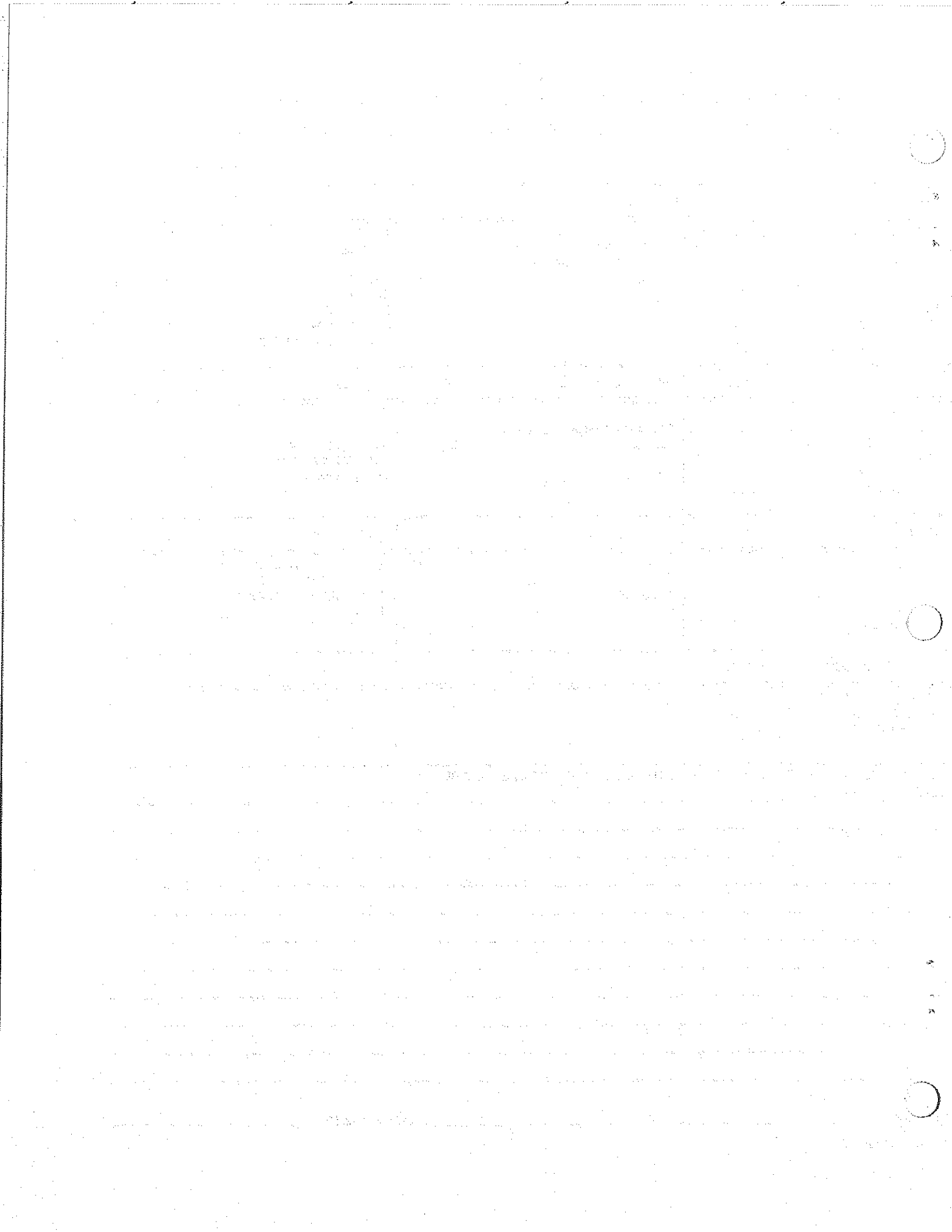
\_\_\_\_\_

\_\_\_\_\_

\_\_\_\_\_

\_\_\_\_\_

SIGNATURE \_\_\_\_\_ DATE \_\_\_\_\_ CLOCK NUMBER \_\_\_\_\_



# Yale® Hoists Warranty

# Yale

## Warranty

Every hoist is thoroughly inspected and tested prior to shipment from the factory. Should any problems develop, return the complete hoist prepaid to your nearest Yale Authorized Warranty Repair Station.

This warranty does not apply where: (1) deterioration is caused by normal wear, abuse, improper or inadequate power supply, eccentric or side loading, overloading, chemical or abrasive actions, improper maintenance or excessive heat; (2) problems resulted from repairs, modifications or alterations made by persons other than factory or Duff-Norton personnel;

(3) the hoist has been abused or damaged as a result of an accident; (4) repair parts or accessories other than those supplied by Duff Norton are used on the hoist. Equipment and accessories not of the seller's manufacture are warranted only to the extent that they are warranted by the manufacturer. EXCEPT AS STATED HEREIN, DUFF-NORTON MAKES NO OTHER WARRANTIES, EXPRESS OR IMPLIED, INCLUDING WARRANTIES OF MERCHANTABILITY AND FITNESS FOR A PARTICULAR PURPOSE.

### Improvements:

Yale is constantly striving to improve its product. Changes in design and improvements will be made whenever the manufacturer believes the efficiency of the product will be improved without incurring any obligation to incorporate such improvements in any products which have been shipped or are in service.

### Important Notice:

Use of chain, wire rope or replacement parts other than as supplied as original equipment on Yale hoists may lead to dangerous operation. Accordingly, Yale cannot be responsible in such cases and our warranty should be voided.

For more information write Yale Hoists, Forrest City, Arkansas 72335.

**ALL SHIPMENTS SUBJECT TO CHANGE WITHOUT NOTICE AND MAY BE ADJUSTED TO SELLER'S PRICE IN EFFECT AT TIME OF SHIPMENT.  
THIS CANCELS AND SUPERSEDES ALL PREVIOUS PRICES.  
ALL PRICES IN U.S. DOLLARS.**



Yale® Hoists  
Highway 1 North  
P.O. Box 1000  
Forrest City, Arkansas 72335  
Customer Service Phone (800) 999-6318  
Fax (800) 766-0223

Copyright 1990  
Yale Hoists

3105U 11M7/90  
Printed in U.S.A.

