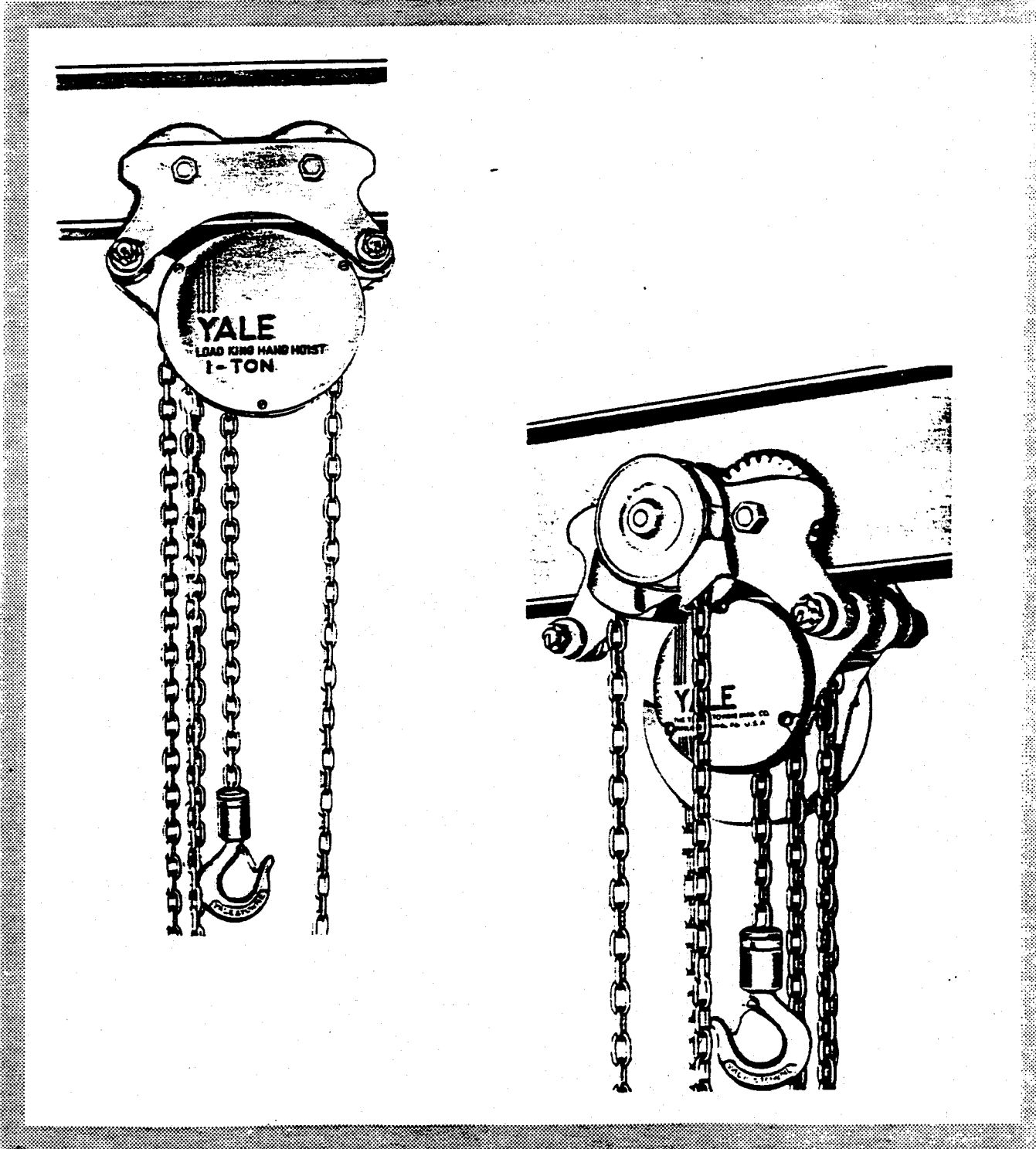


LTP & LTG
Trolley Hoists

Parts and Instruction
Manual

Yale®



YALE

TABLE OF CONTENTS

	Page
SAFE HOISTING PRACTICES.....	2
GENERAL INFORMATION.....	3
INSPECTION AND CARE OF LOAD KING TROLLEY HOIST.....	4
Figure 1. Lubrication of Chain.....	6
Figure 2. Chain Attachment.....	8
Figure 3. ½ Ton Load King Trolley Hoist.....	9
Figure 4. 1 Ton Load King Trolley Hoist.....	12
Figure 5. 1½ Ton Load King Trolley Hoist.....	15
Figure 6. 2 Ton Load King Trolley Hoist.....	18
Figure 7. 3 Ton Load King Trolley Hoist.....	21
Figure 8. 4 Ton Load King Trolley Hoist.....	24
Figure 9. 5 Ton Load King Trolley Hoist, Trolley Parts.....	27
Figure 10. 5 Ton Load King Trolley Hoist, Hoist Parts.....	28
Figure 11. 6 Ton Load King Trolley Hoist, Trolley Parts.....	32
Figure 12. 6 Ton Load King Trolley Hoist, Hoist Parts.....	33
Figure 13. 8 Ton Load King Trolley Hoist, Trolley Parts.....	37
Figure 14. 8 Ton Load King Trolley Hoist, Hoist Parts.....	38
Figure 15. 10 Ton Load King Trolley Hoist, Trolley Parts.....	42
Figure 16. 10 Ton Load King Trolley Hoist, Hoist Parts.....	43
Figure 17. 12 Ton Load King Trolley Hoist, Trolley Parts.....	47
Figure 18. 12 Ton Load King Trolley Hoist, Hoist Parts.....	48
Figure 19. Chain Dimensions And Hook Openings.....	52
Warranty.....	Back Cover

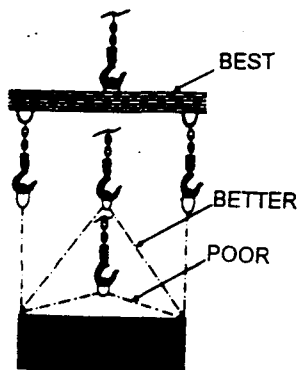
When Replacement Parts Are Needed, Order Only Yale Factory[®] Engineered Parts

YALE

SAFE HOISTING PRACTICES

YALE[®] HAND HOIST

Physical safety is a primary factor in the design and manufacture of hand operated and electric hoists and trolleys of all types. But your own safety and that of your fellow workers can only be secured when overhead materials handling equipment is used, operated and maintained in accordance with all of the manufacturer's recommendations. Disregard for any of these recommendations constitutes poor safety practice and may endanger life and property. You and your fellow workers should become thoroughly familiar with the normal rules of practice regarding use, operation and maintenance of this type of equipment by obtaining and regularly consulting the manufacturer's literature on the subject. Any questions should be referred to your safety director or to qualified representatives of the manufacturer. The following basic rules are presented as a minimum guide to safe overhead materials handling practice:



CONSIDER THESE ANGLES WHEN LIFTING LOAD



DO NOT OVERLOAD



SEAT LOAD CORRECTLY IN HOOK

1. DO NOT LOAD BEYOND THE RATED CAPACITY....The immediate danger is a possible failure of load carrying parts but overloading might also start defects leading to future failure....even at less than rated capacity.

2. DO NOT USE ANY OVERHEAD MATERIALS HANDLING EQUIPMENT FOR HANDLING PERSONNEL, either separately or with a load.

3. CONDUCT ADEQUATE PERIODIC VISUAL INSPECTIONS FOR SIGNS OF DAMAGE OR WEAR... Pay particular attention to the cable or chain and hook. If the cable or chain shows signs of wear or damage or the hook is distorted or opened, call it to the attention of your safety engineer before further use.

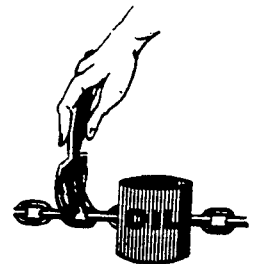
4. DO NOT USE HOISTING CABLE OR CHAIN AS A SUBSTITUTE FOR SLINGS...Use slings only. Cable or chain slings should be of proper size and type for load handling...never use slings showing any degree of physical damage.

5. NEVER LEAVE AN UNATTENDED LOAD SUSPENDED IN THE AIR.

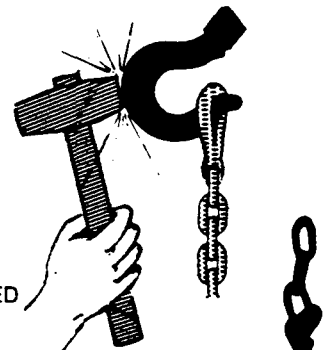
6. STAND CLEAR OF ALL LOADS ... Never travel a load over the heads of other personnel and give ample warning of your intention and direction of travel.

7. NEVER ATTEMPT TO MOTORIZE A HAND OPERATED HOIST OR TROLLEY.

8. NEVER TOUCH A WELDING ELECTRODE TO THE LOAD CHAIN or use the hoist as a ground during welding. Permanent damage to the load chain will result.



LUBRICATE AND INSPECT CHAIN PERIODICALLY



DO NOT FORCE HOOK

DO NOT KINK TWIST CHAIN

The safety laws for passenger elevators specify construction details that are not incorporated in Yale Hoists. We recommend that passenger elevator operation equipment be used that meets all state and national safety codes. Yale Hoists will not accept responsibility for applications of Yale Hoists on passenger elevators.

When Replacement Parts Are Needed, Order Only Yale[®] Factory Engineered Parts

GENERAL INFORMATION

Parts Ordering Information

This instruction and parts manual is provided as a convenience to assist you in ordering repair parts for your LTG or LTP Series Hoist. To ensure prompt service, place all parts orders with your local distributor.

Give all information listed below in items a,b, and c. This will enable your distributor to fill your order promptly.

- a. Give complete date from hoist nameplate.
- b. Give part numbers, description and quantity required.
- c. Give the correct shipping destination.

If it becomes necessary to return the complete hoist or certain parts to the factory, a letter requesting such a return is necessary. This letter should contain an explanation for requesting the return. A return authorization will be issued giving you clearance for returning the hoist or parts to the factory. Should you need additional help in ordering, contact your local Yale Hoists distributor.

INSTALLATION INSTRUCTIONS

For installation on I-beam other than the size preset at the factory follow the instructions listed below.

Measure the I-beam flange width and temporarily install the trolley sideplates on the hoist before installation to determine the exact distribution of washers.

The distance between track wheel flanges should be $\frac{3}{16}$ inch greater than the beam flange width for straight runway beams, and $\frac{3}{16}$ to $\frac{1}{4}$ inch in a runway system that includes sharp curves. The number of adjusting washers between the sideplates and the suspension frame should be the same or differ only by one (1) adjusting washer, in order to keep the hoist centered under the I-beam. The distribution of washers outside the trolley sideplates is unimportant except that the total number used be sufficient to keep the nuts engaged.

After the hoist and trolley are installed on the I-beam, check for proper fit, then operate the trolley over the entire length of the beam with a capacity load to be sure that adjustment and operation is satisfactory.

When Replacement Parts Are Needed, Order Only Yale® Factory Engineered Parts

MAINTENANCE

YALE

INSPECTION AND CARE OF LOAD KING HOIST

1. INSPECTION:

- (A) WEEKLY - Hoist in severe or continuous service.
- (B) MONTHLY - Hoist in frequent or daily service.
- (C) QUARTERLY - Hoist in average or partial daily service.

2. Examine chain for wear or stretch and bent or mutilated links in accordance with directions given on page 46 which shows the standard or normal dimensions of the chain per link and for 20 link lengths. The limit of wear or stretch for a 20 link length is 2% over normal length. The limit of wear on individual links is 20% below the normal link diameter.
3. If the load chain is worn and requires replacing, also examine the load sheave and load chain guide and stripper. If these parts are worn they should be replaced to avoid damaging the new load chain. The new load chain should be installed with weld on vertical link as shown on page 7. The load chain guide should fit so there is approximately 1/8" clearance between the load chain guide side and the outside diameter of the load sheave.
4. Examine the bottom hook for suspension and application of load. The load must be carried in the center of the hook and not on the tip. Yale hooks will stand 150% load without changing the normal opening of dimension "E", page 46, if the load is carried correctly in the center of the hook. If the load is incorrectly applied, so that it is carried at the tip, the hook will open at approximately one-half of the rated capacity. The maximum opening of hooks should not exceed 35% beyond the normal opening or beyond the dimensions given on the hook drawing on page 46. If the hook is opened 35% beyond these normal dimensions it should be replaced.
5. When installing a new bottom hook for 3 ton to 12 ton capacity units, thoroughly tighten up the hook nut and rivet or weld over threaded end of hook so the nut cannot unscrew - shown on page 6.
6. Check for proper and safe operation with easy movement of all rotating, swiveling and swinging parts.
7. Turn the handwheel to check the backlash and wear on the load brake parts. Normally, the handwheel should have a back movement equivalent to 1 or 1½ pockets. If this backlash is equivalent to 2 or more pockets on the handwheel, some of the synchromatic load brake parts are worn. Inspect the raybestos disc, oilite disc, and spring washer for possible replacement.

When Replacement Parts Are Needed, Order Only Yale® Factory Engineered Parts

YALE

INSPECTION AND CARE OF LOAD KING HOIST continued

8. Check operation of ring pawl and note that it engages ratchet disc properly.
9. In lubricating load chain, be sure oil runs into the inside bearing points of each chain link - see page 6.
10. When the hoist is disassembled for repairs, note the position of all parts to assure proper reassembling.
11. When repairs are made, hoist should be tested with loads of full capacity before placing hoist in service.
12. The Load King Hoists are designed with the safety of the operating personnel first in mind. Your own safety and that of your fellow workers will be assured when overhead materials handling equipment is used as recommended by the manufacturer. Disregarding such recommendations endangers life and property. You are referred to the SAFE HOISTING PRACTICES listed on page (2). Read this information carefully for your protection and protection of the equipment.

When Replacement Parts Are Needed, Order Only Yale® Factory Engineered Parts

YALE

LUBRICATION

LUBRICATION OF LOAD KING HOISTS

LOAD SHEAVE, DRIVING PINION AND INTERMEDIATE GEAR AND PINION BEARING ARE LUBRICATED FOR LIFE AND SEALED. THESE BEARINGS SHOULD NOT REQUIRE ANY MAINTENANCE ATTENTION. IDLER SHEAVE BEARINGS WILL REQUIRE PERIODIC INSPECTION AND LUBRICATION BASED UPON FREQUENCY OF USE. ALL GEARS ARE PACKED WITH A PERMANENT GREASE. LOAD CHAIN SHOULD BE KEPT LUBRICATED FOR SATISFACTORY SERVICE.

<u>LUBRICATION POINTS</u>	<u>LUBRICANT SPECIFICATIONS</u>
LOAD SHEAVE POCKETS THREAD IN FRICTION PLATE BORE AND TEETH IN RATCHET DISC FINGERS ON RING PAWL RING PAWL STUDS ALL GEARS AND PINIONS IDLER SHEAVE BEARINGS	HOUGHTON STA-PUT #580 GULF CROWN GREASE #2 HUMBLE MULTI-PURPOSE GREASE SHELL ALUMA #2 OR RETINEX A
LOAD CHAIN	HUMBLE PEN-O-LED EP5 HOUGHTON STA-PUT #465 GULF MULTI-PURPOSE GEAR LUBE 140
LOWER HOOK BEARINGS	HOUGHTON STA-PUT 18H2 ATLANTIC 52

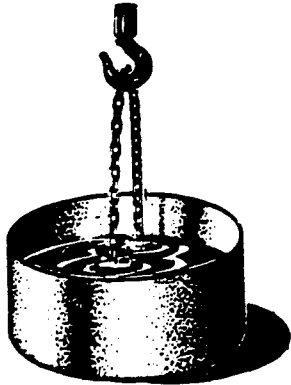
RECOMMENDED SPARE PARTS FOR 1 YEAR

QUANTITY PER HOIST	DESCRIPTION	PART NUMBER
1	BRAKE DISC	0154041-00
1	OILITE DISC	0154042-00
1	RING PAWL	0156405-00
3	RING PAWL SPRING	0159622-00
1	SPRING WASHER	0159671-00

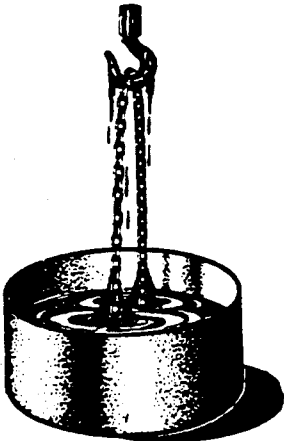
When Replacement Parts Are Needed, Order Only Yale® Factory Engineered Parts

YALE

LUBRICATION OF CHAIN



1. COMPLETELY SUBMERGE
LOAD CHAIN IN
LUBRICATING OIL



2. REMOVE CHAIN FROM
CONTAINER ALLOWING
EXCESS OIL TO DRAIN
BACK INTO CONTAINER

3. APPLY LUBRICATED
CHAIN TO SHEAVE
IN HOIST



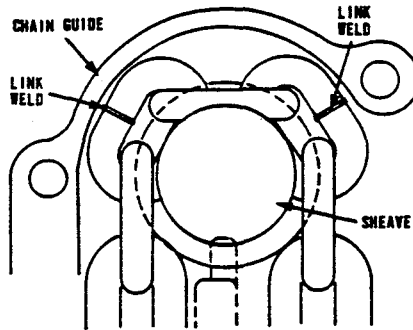
4. AFTER CHAIN IS FASTENED
TO HOIST, WIPE OFF SURFACE
OF CHAIN WITH RAG. THIS WILL
MAKE THE OUTER SURFACE OF
THE CHAIN CLEAN AND ALLOW
LUBRICATION BETWEEN THE
LINKS WHERE THE LUBRICATION
IS NECESSARY.

FIGURE 1. LUBRICATION OF CHAIN

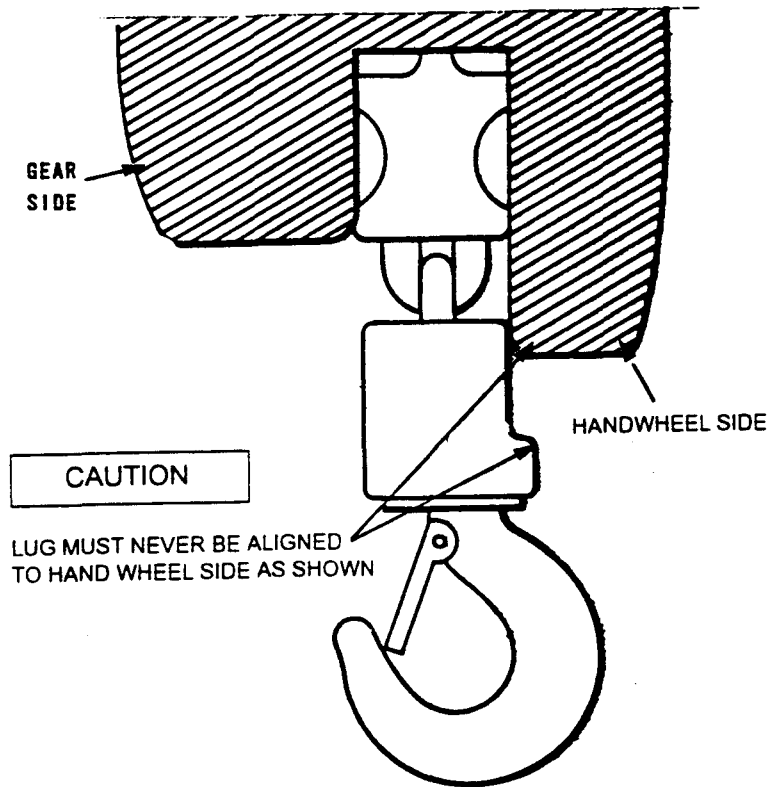
When Replacement Parts Are Needed, Order Only Yale® Factory Engineered Parts

YALE

CHAIN ATTACHMENT



WELD ON STANDING LINK MUST FACE AWAY FROM SHEAVE



When Replacement Parts Are Needed, Order Only Yale® Factory Engineered Parts



LOAD KING TROLLEY HOIST
1/2 TON

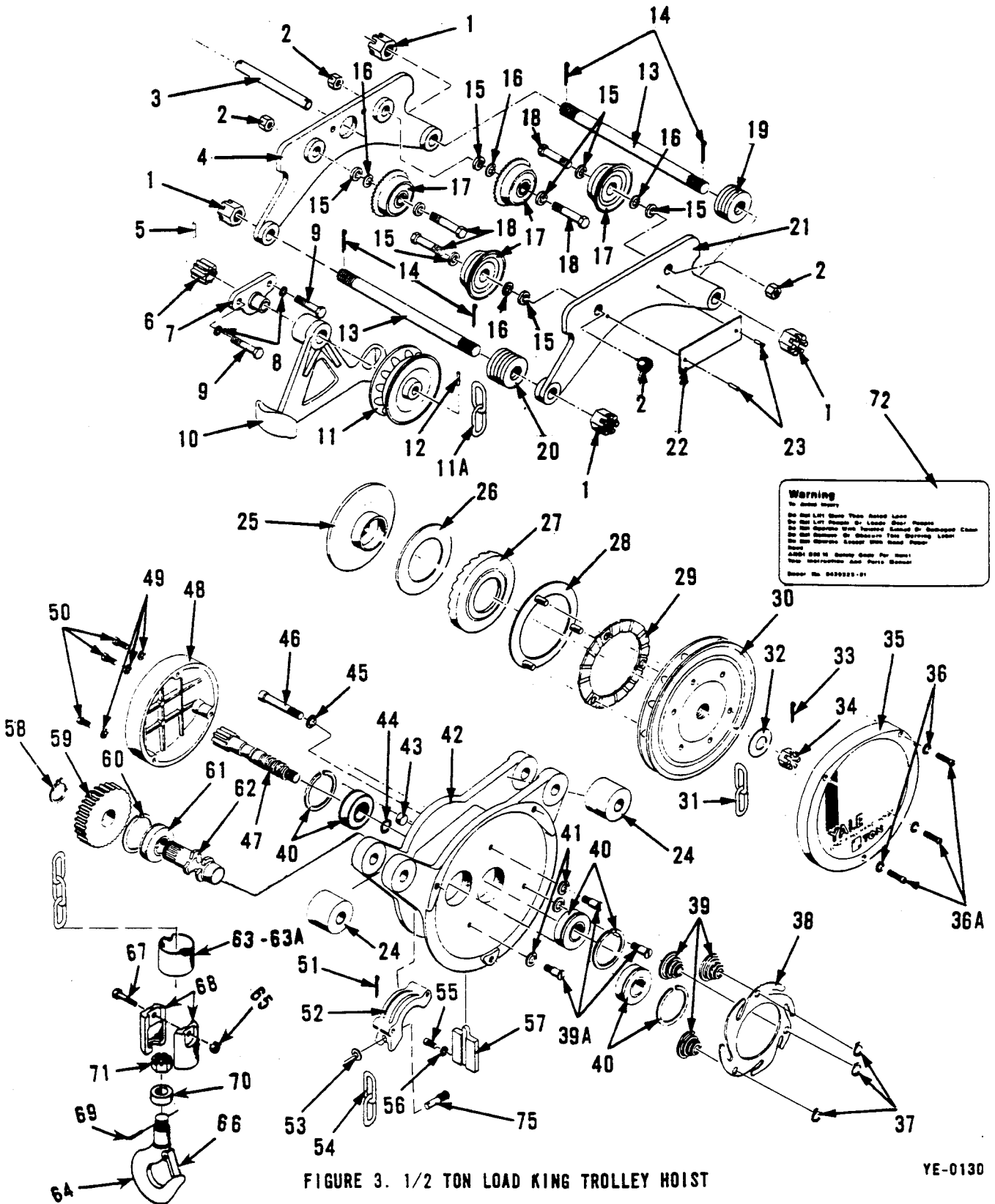


FIGURE 3. 1/2 TON LOAD KING TROLLEY HOIST

YE-0130

When Replacement Parts Are Needed, Order Only YALE® Factory Engineered Parts



LOAD KING TROLLEY HOIST
1/2 TON

<u>ITEM NUMBER</u>	<u>PART NUMBER</u>	<u>DESCRIPTION</u>	<u>QTY.</u>
1	0652673-00	SLOTTED NUT	4
2	0317081-00	STOVER LOCKNUT	4
3	0250208-00	TROLLEY WHEEL PINION SHAFT	1
4	0595193-00	TROLLEY SIDE PLATE (Plain Trolley)	1
	0589650-00	TROLLEY SIDE PLATE (Geared Trolley)	
5	0586643-00	LOCK PIN	1
6	0250202-00	TROLLEY WHEEL PINION	1
7	0610950-00	SUPPORT BRACKET	1
8	0150322-00	LOCKWASHER	2
9	0150323-00	HEX HEAD BOLT	2
10	0610949-00	HAND CHAIN GUIDE	1
11	0250218-00	HANDWHEEL	1
11A	0033730-00	HAND CHAIN (14 Foot Endless)	1
	5024471-81	ALUMINUM HAND CHAIN (Specify Length)	1
	0033731-00	CAD PLATED HAND CHN (Specify Length)	1
12	0157040-00	LOCK PIN	1
13	0591429-00	SUSPENSION PIN	2
14	0154216-00	COTTER PIN	4
15	0332326-00	BALL BEARING	8
16	0159241-00	RETAINING RING	4
17	0500097-00	TROLLEY WHEEL (Plain Trolley)	4
	0250545-00	TROLLEY WHEEL (Geared Side)	2
	0250542-00	TROLLEY WHEEL (Plain Side)	2
	0579192-00	BRONZE TROLLEY WHEEL (Plain Trolley)	4
	0521931-00	BRONZE TROLLEY WHEEL (Geared Trolley Plain Side)	2
	5018663-00	BRONZE TROLLEY WHEEL (Geared Side)	2
18	0250610-00	AXLE (Geared Trolley)	4
19	0535816-00	ADJUSTING WASJER	12
20	0236278-00	ADJUSTING WASHER	20
21	0589651-00	TROLLEY SIDE PLATE (Geared Trolley, Plain Side)	1
	0589651-00	TROLLEY SIDE PLATE (Plain Trolley)	1
22	0513771-00	NAMEPLATE	1
23	0149894-00	RIVET	2
24	0596770-00	SPACER	2
25	0127232-00	FRICTION PLATE	1
26	6484551-00	BRAKE DISC	1
27	0158079-00	RATCHET DISC	1
28	0154042-00	OILITE DISC	1
29	0159671-00	SPRING WASHER	1
30	0165100-00	HANDWHEEL	1
31	0033730-00	HAND CHAIN (14 Foot Endless)	1
	5024471-81	ALUMINUM HAND CHAIN (Specify Length)	1
	0033731-00	CAD PLATED HAND CHN (Specify Length)	1
32	0161405-00	CHECKWASHER	1
33	0154200-00	COTTER PIN	1
34	0149808-00	SLOTTED NUT	1
35	0595197-00	HAND CHAIN GUIDE AND COVER	1
36	0150321-00	LOCKWASHER	3

When Replacement Parts Are Needed, Order Only YALE® Factory Engineered Parts

LOAD KING TROLLEY HOIST
1/2 TON



<u>ITEM NUMBER</u>	<u>PART NUMBER</u>	<u>DESCRIPTION</u>	<u>QTY.</u>
36A	0655764-00	SOCKET HEAD SCREW	3
37	0159148-00	RETAINING RING	3
38	0156405-00	RING PAWL	1
39	0159622-00	RING PAWL SPRING	3
40	0151277-00	BEARING	3
41	0150322-00	LOCKWASHER	3
42	0596787-00	SUSPENSION FRAME	1
43	0182571-00	RATCHET LEVER PLUG	2
44	0159131-00	RETAINING RING	1
45	0656194-00	SHAKEPROOF WASHER	2
46	0655801-00	SOCKET HEAD SCREW	2
47	0155472-00	DRIVING PINION	1
48	0155189-00	GEAR COVER	1
49	0150321-00	LOCKWASHER	3
50	0655761-00	SOCKET HEAD SCREW	3
51	0154178-00	COTTER PIN	1
52	0164954-00	LOAD CHAIN GUIDE	1
53	0161035-00	WASHER	1
54	0033640-00	LOAD CHAIN (9 Foot Standard)	1
	5029941-81	STAINLESS STEEL LOAD CHAIN (Specify Length)	1
	0033641-00	CAD PLATED LOAD CHN (Specify Length)	1
55	0655759-00	SOCKET HEAD SCREW	1
56	0150361-00	SHAKEPROOF WASHER	1
57	0164978-00	STRIPPER	1
58	0159156-00	RETAINING RING	1
59	0155355-00	LOAD GEAR	1
60	0159228-00	RETAINING RING	1
61	0151283-00	BALL BEARING	1
62	0165092-00	LOAD SHEAVE	1
63	6425392-00	BOTTOM BLOCK ASSEMBLY (Incl. Items 63A Through 72)	1
63A	6456701-00	RETAINER BAND	1
64	6436741-00	BOTTOM HOOK	1
64A	6425402-00	BOTTOM HOOK AND NUT (Inc. Item 66)	1
	6425422-00	BTM HOOK AND NUT (BRONZE) Inc. Item 66	1
65	0150152-00	LOCK NUT	1
66	0669400-00	LATCH KIT	1
67	6428951-00	ALLEN SCREW	1
68	6420171-00	BLK. HALF	2
69	0599891-00	ROLL PIN	1
70	0151221-00	BEARING	1
71	0106663-00	BOTTOM HOOK NUT	1
72	6432671-00	WARNING DECAL	1

FOR SAFETY LUGS, TRACK CLAMPS, EXTENDED HANDWHEEL, CHAIN CONTAINERS, PATENT TRACK TROLLEY AND BULLARD BURNHAM HOOKS, REFER TO UNIT MARKING WHEN ORDERING PARTS.

When Replacement Parts Are Needed, Order Only YALE® Factory Engineered Parts

LOAD KING TROLLEY HOIST
1 TON

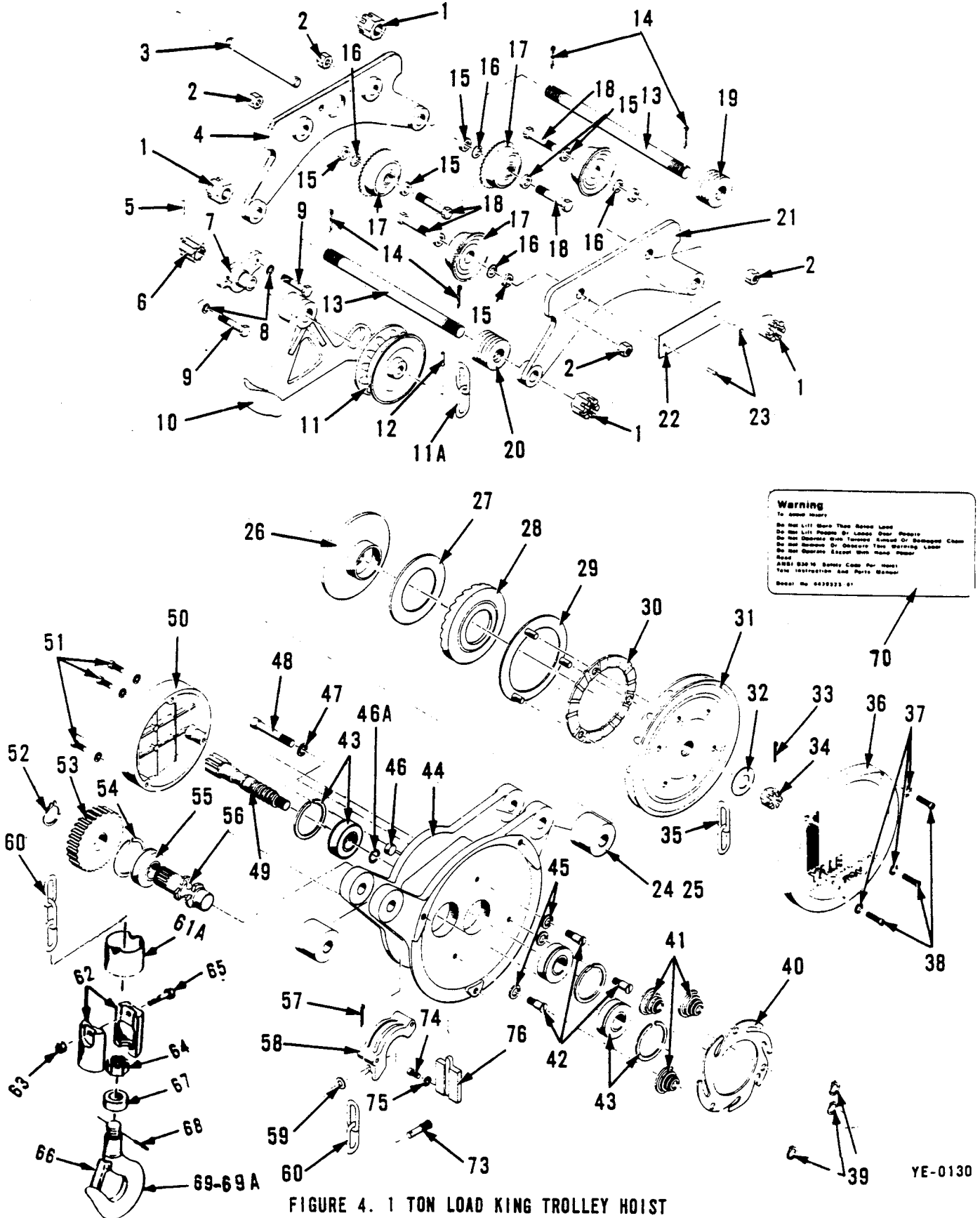


FIGURE 4. 1 TON LOAD KING TROLLEY HOIST

When Replacement Parts Are Needed, Order Only YALE® Factory Engineered Parts

REPAIR PARTS
LOAD KING TROLLEY HOIST



1 TON

ITEM NUMBER	PART NUMBER	DESCRIPTION	QTY.
1	0652673-00	SLOTTED NUT	4
2	0150160-00	STOVER LOCKNUT	4
3	0250208-00	TROLLEY WHEEL PINION SHAFT (Geared)	1
4	0589652-00	TROLLEY WIDE PLATE (Geared Trolley)	1
	0595194-00	TROLLEY SIDE PLATE (Plain Trolley)	1
5	0586643-00	LOCK PIN (Geared)	1
6	0250202-00	TROLLEY WHEEL PINION	1
7	0610950-00	HAND CHAIN GUIDE SUPPORT	1
8	0150323-00	LOCKWASHER	2
9	0146380-00	HEX HEAD BOLT	2
10	0610949-00	HAND CHAIN GUIDE	1
11	0250218-00	HANDWHEEL	1
11A	0033731-00	HAND CHAIN (14 Foot Endless)	1
	5024471-81	ALUMINUM HAND CHAIN (Specify Length)	1
	0033731-00	CADMIUM PLATED HAND CHAIN (Specify Length)	1
12	0157040-00	LOCK PIN	1
13	0591425-00	SUSPENSION PIN	2
14	0154216-00	COTTER PIN	4
15	0250645-00	BEARING	8
16	0233426-00	RETAINING RING	4
17	0249628-00	TROLLEY WHEEL (Plain)	4
	0249666-00	TROLLEY WHEEL (Geared, Required Two Plain Wheels Number 0249664-00)	2
	0579193-00	BRONZE TROLLEY WHEEL(Plain Trolley)	4
	0525318-00	BRONZE TROLLEY WHEEL (Geared Trolley Plain Side)	2
	5028573-00	BRONZE TROLLEY WHEEL (Geared Side)	2
18	0639076-00	AXLE	4
19	0535816-00	ADJUSTABLE WASHER	16
20	0236278-00	ADJUSTABLE WASHER	20
21	0589653-00	TROLLEY SIDE PLATE (Plain Trolley)	1
22	0513771-00	NAMEPLATE	1
23	0149894-00	RIVET	2
24	0596770-00	SPACER	2
25	0236018-00	SPACER WASHER (Plain Trolley)	4
26	0127232-00	FRICTION PLATE	1
27	6484551-00	BRAKE DISC	1
28	0158079-00	RATCHET DISC	1
29	0154042-00	OILITE DISC	1
30	0159671-00	SPRING WASHER	1
31	0165100-00	HANDWHEEL	1
32	0161405-00	CHECK WASHER	1
33	0154200-00	COTTER PIN	1
34	0149808-00	SLOTTED NUT	1
35	0033730-00	HAND CHAIN (14 Foot Endless)	1
	5024471-81	ALUMINUM HAND CHAIN (Specify Length)	1
	0033731-00	CADMIUM PLATED HAND CHAIN (Specify Length)	1
36	0595198-00	HAND CHAIN GUIDE AND COVER	1
37	0150321-00	LOCKWASHER	6
38	0655764-00	SOCKET HEAD SCREW	3

When Replacement Parts Are Needed, Order Only YALE® Factory Engineered Parts

LOAD KING TROLLEY HOIST
1 TON

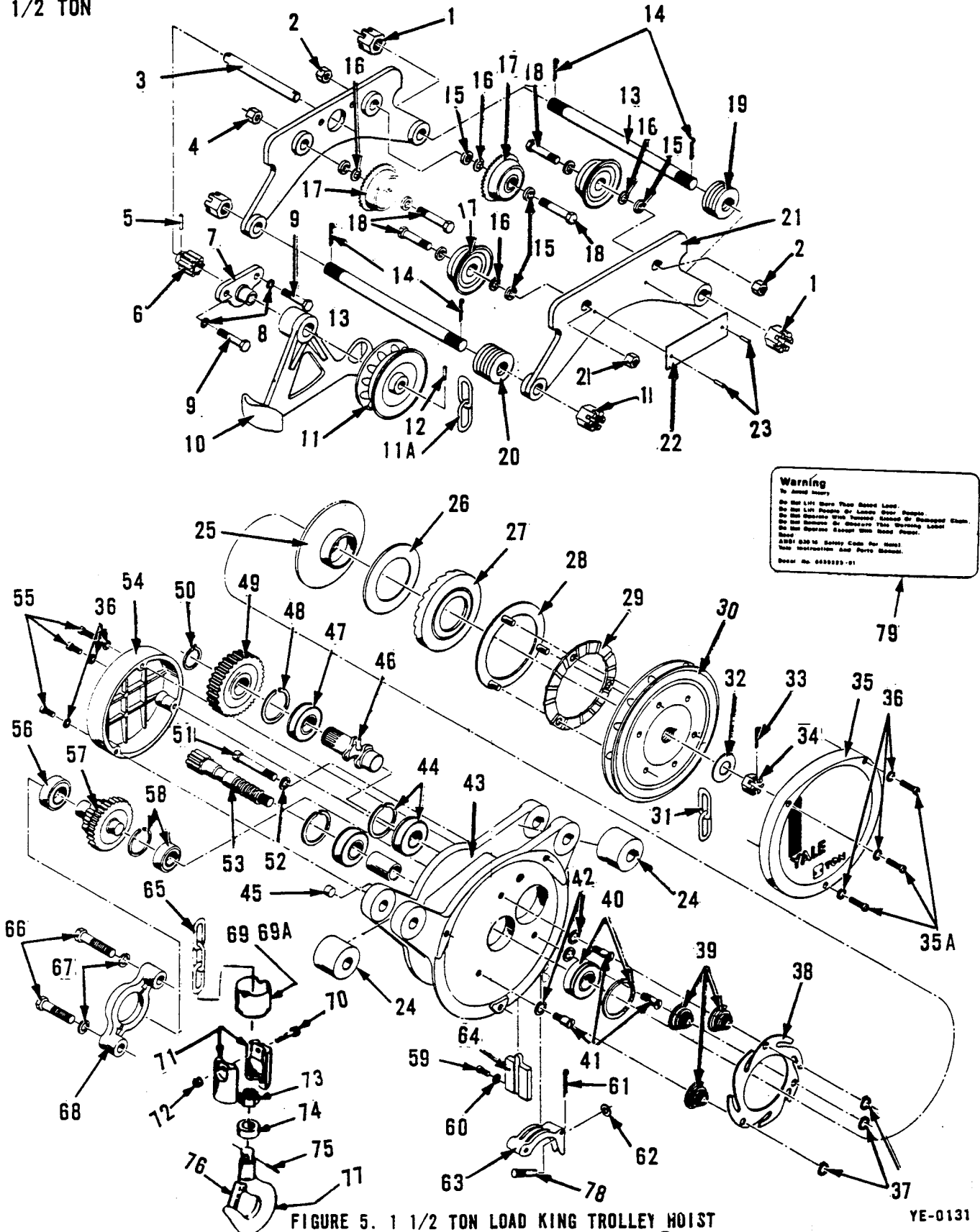


ITEM NUMBER	PART NUMBER	DESCRIPTION	QTY.
39	0159148-00	RETAINING RING	3
40	0156405-00	RING PAWL	1
41	0159622-00	RING PAWL SPRING	3
42	0159799-00	RING PAWL STUD	3
43	0151277-00	BALL BEARING	3
44	0596787-00	SUSPENSION FRAME	1
45	0150322-00	LOCKWASHER	3
46	0182571-00	RATCHET LEVER PLUG	2
46A	0159131-00	RETAINING RING	1
47	0656194-00	SHAKEPROOF WASHER	2
48	0655801-00	SOCKET HEAD SCREW	2
49	0155473-00	DRIVING PINION	1
50	0155189-00	GEAR COVER	1
51	0655761-00	SOCKET HEAD SCREW	3
52	0159156-00	RETAINING RING	1
53	0155356-00	LOAD GEAR	1
54	0159228-00	RETAINING RING	3
55	0151283-00	BALL BEARING	1
56	0165093-00	LOAD SHEAVE	1
57	0154178-00	COTTER PIN	1
58	0164957-00	LOAD CHAIN GUIDE	1
59	0161037-00	PLAIN WASHER	1
60	0033645-00	LOAD CHAIN (9 Foot Standard)	1
	5029951-81	STAINLESS STEEL LOAD CHAIN (Specify Length)	1
	0033646-00	CADIUM PLATED LOAD CHAIN (Specify Length)	1
61	6425962-00	BOTTOM BLOCK ASSEMBLY (Includes Items 61) THROUGH 70)	1
61A	6456711-00	RETAINER BAND	1
62	6420391-00	BLOCK HALF	2
63	0150153-00	LOCK NUT	1
64	0652673-00	NUT	1
65	6428961-00	SOCKET HEAD SCREW	1
66	0669402-00	LATCH KIT	1
67	0151222-00	BOTTOM HOOK BEARING	1
68	5004099-02	ROLL PIN	1
69	6425952-00	BOTTOM HOOK ASSY (Incl. Items 64,66,67,68,70)	1
70	6439323-01	WARNING DECAL	1

FOR SAFETY LUGS, TRACK CLAMPS, EXTENDED HANDWHEEL, CHAIN CONTAINERS, PATENT TRACK TROLLEY AND BULLARD BURNHAM HOOKS, REFER TO UNIT MARKING WHEN ORDERING PARTS.

When Replacement Parts Are Needed, Order Only YALE® Factory Engineered Parts

LOAD KING TROLLEY HOIST
1 1/2 TON



Warning
To Avoid Injury:
Do Not Lift More Than Rated Load.
Do Not Lift People or Loose Gear Hoops.
Do Not Operate With Trolley Hoop or Hooped Chain.
Do Not Operate in Obstructed Tilt-Up Position Unless Labeled.
Do Not Operate Except With Rated Power.
Read
ASME B30.16 Safety Code for Hoists
This Instruction and Parts Manual.
Serial No. 6492929-01

FIGURE 5. 1 1/2 TON LOAD KING TROLLEY HOIST

YE-0131

When Replacement Parts Are Needed, Order Only YALE® Factory Engineered Parts

LOAD KING TROLLEY HOIST
1½ TON



ITEM NUMBER	PART NUMBER	DESCRIPTION	QTY
1	0106722-00	SLOTTED NUT	4
2	0150158-00	STOVER LOCKNUT	4
3	0250208-00	TROLLEY WHEEL PINION SHAFT	1
4	0589659-00	TROLLEY SIDE PLATE (Geared Trolley)	1
	0595195-00	TROLLEY SIDE PLATE (Plain Trolley)	1
5	0586643-00	LOCK PIN	1
6	0250202-00	TROLLEY WHEEL PINION	1
7	0610950-00	SUPPORT BRACKET	1
8	0150323-00	LOCKWASHER	2
9	0146380-00	HEX HEAD BOLT	2
10	0610949-00	HAND CHAIN GUIDE	1
11	0250218-00	HANDWHEEL	1
12	0157040-00	LOCK PIN	1
13	0591427-00	SUSPENSION PIN	2
14	0154219-00	COTTER PIN	4
15	0250647-00	BALL BEARING	8
16	0605561-00	RETAINING RING	4
17	0501071-00	TRACK WHEEL (Plain Trolley)	4
	6412103-00	TROLLEY WHEEL(Plain)	2
	6412113-00	TROLLEY WHEEL (Geared)	2
	0579174-00	BRONZE TROLLEY WHEEL(Plain Trolley)	4
	5005343-00	BRONZE TROLLEY WHEEL(Geared Trolley Plain Side)	2
	0666220-00	BRONZE TROLLEY WHEEL (Geared Side)	2
18	0250576-00	AXLE	4
19	0236282-00	ADJUSTING WASHER	16
20	0535819-00	ADJUSTING WASHER	24
21	0589660-00	TROLLEY SIDE PLATE (Geared Trolley)	1
	0589660-00	TROLLEY SIDE PLATE (Plain Trolley)	1
22	0513771-00	NAMEPLATE	1
23	0149894-00	RIVET	2
24	0588130-00	SPACER	2
25	0127232-00	FRICTION PLATE	1
26	6484551-00	RAYBESTOS DISC	1
27	0158079-00	RATCHET DISC	1
28	0154042-00	OILITE DISC	1
29	0159671-00	SPRING WASHER	1
30	0165102-00	HANDWHEEL	1
31	0033730-00	HAND CHAIN (14 Foot Endless)	1
	5024471-00	ALUMINUM HAND CHAIN (Specify Length)	1
	0033731-00	CADMIUM PLATED (Specify Length)	1
32	0161405-00	CHECKWASHER	1
33	0154200-00	COTTER PIN	1
34	0149808-00	SLOTTED NUT	1
35	0595199-00	HAND CHAIN GUIDE AND COVER	1
36	0150321-00	LOCKWASHER	6
37	0159148-00	RETAINING RING	3
38	0156405-00	RING PAWL	1

When Replacements Parts Are Needed, Order Only YALE ® Factory Engineered Parts

LOAD KING TROLLEY HOIST 1½ TON



ITEM NUMBER	PART NUMBER	DESCRIPTION	QTY.
39	0159622-00	RING PAWL SPRING	3
40	0151277-00	BEARING	2
41	0159799-00	RING PAWL STUD	3
42	0150323-00	LOCKWASHER	3
43	0573889-00	SUSPENSION FRAME	1
44	0151279-00	BEARING	1
45	0182571-00	RATCHET LEVER PLUG	2
46	0165095-00	LOAD SHEAVE	1
47	0151281-00	BEARING	1
48	6400469-20	RETAINING RING	1
49	0155365-00	LOAD GEAR	1
50	0159163-00	RETAINING RING	1
51	6412041-00	SOCKET HEAD CAP SCREW	2
52	0150368-00	SHAKEPROOF WASHER	2
53	0155474-00	DRIVING PINION	1
54	0155192-00	GEAR COVER	1
55	0655765-00	SOCKET HEAD SCREW	3
56	0151283-00	BEARING	1
57	0155385-00	INTERMEDIATE GEAR AND PINION	1
58	0151278-00	BEARING	1
59	0655843-00	SOCKET HEAD SCREW	1
60	0150365-00	SHAKEPROOF WASHER	1
61	0154196-00	COTTER PIN	1
62	0161040-00	PLAIN WASHER	1
63	0164961-00	LOAD CHAIN GUIDE	1
64	0164980-00	STRIPPER	1
65	0033650-00	LOAD CHAIN (9 Foot Standard)	1
	5024481-81	STAINLESS STEEL LOAD CHAIN (Specify Length)	1
66	0146462-00	GEAR SUPPORT BOLT	2
67	0150370-00	LOCK WASHER	2
68	0152018-00	GEAR SUPPORT	1
69	6425962-00	BOTTOM BLOCK ASSEMBLY (Incl. Items 69A through 77 and 79)	1
69A	6456711-00	RETAINER BAND	1
70	6428761-00	SOCKET HEAD SCREW	1
71	6420391-00	BLOCK HALF	2
72	0150153-00	LOCK NUT	1
73	0652673-00	NUT	1
74	0151222-00	BEARING	1
75	5004099-02	ROLL PIN	1
76	0669403-00	LATCH KIT	1
77	6425952-00	BOTTOM HOOK & NUT (Incl. Items 73 thru 76)	1
	6425972-00	BOTTOM HOOK AND NUT (Bronze Spark Resistant)	1
78	0156923-00	CHAIN END PIN	1
79	6439323-01	WARNING DECAL	1

For Safety Lugs, Track Clamps, Extended Handwheel, Chain Containers, Patent Track Trolley and Bullard Burnt Hooks Refer To Unit Marking When Ordering Parts.

When Replacements Parts Are Needed, Order Only YALE ® Factory Engineered Parts



LOAD KING TROLLEY HOIST
2 TON

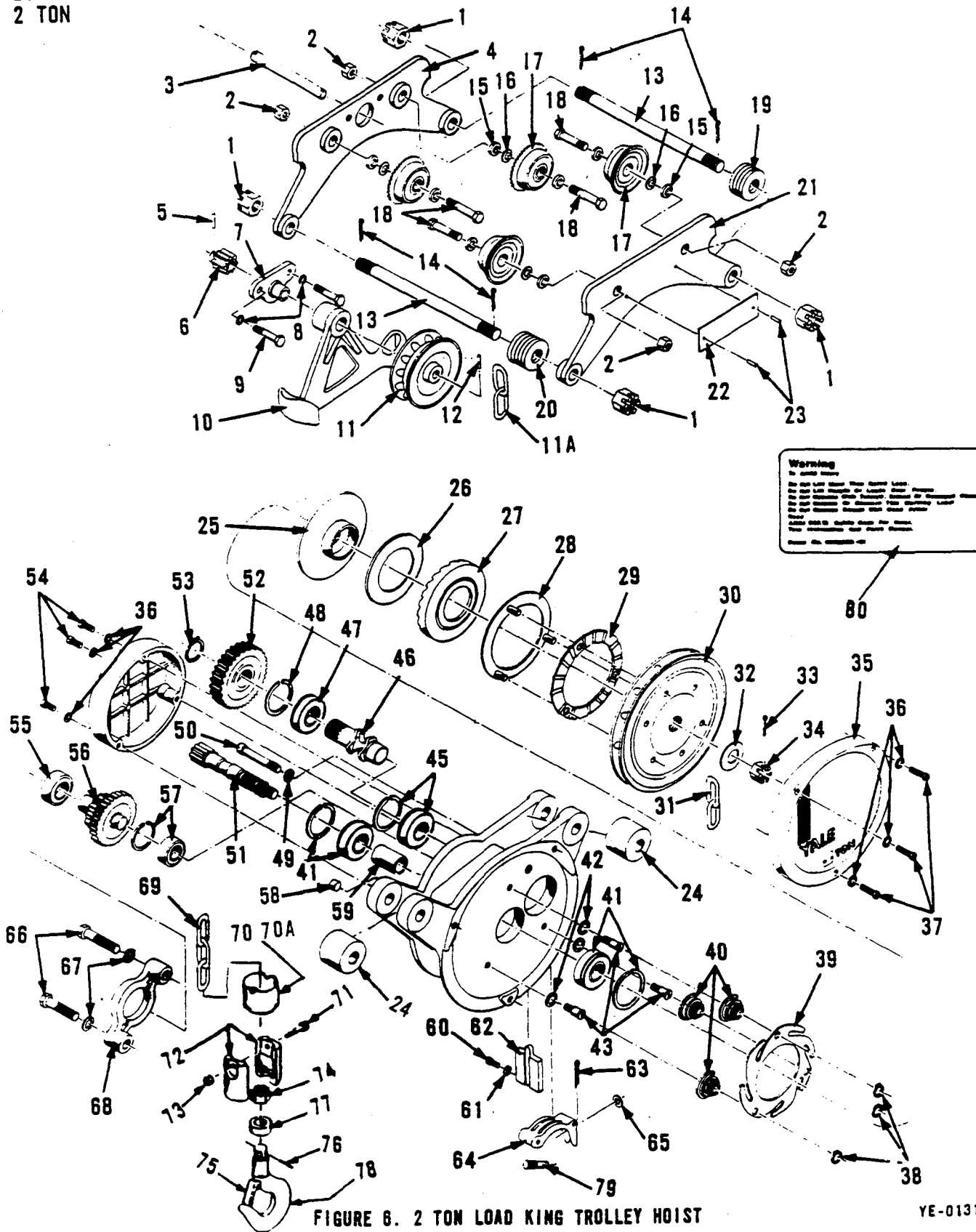


FIGURE 8. 2 TON LOAD KING TROLLEY HOIST

YE-0131

When Replacement Parts Are Needed, Order Only YALE® Factory Engineered Parts


**LOAD KING TROLLEY HOIST
2 TON**

ITEM NUMBER	PART NUMBER	DESCRIPTION	QTY.
1	0106722-00	SLOTTED NUT	4
2	0150158-00	STOVER LOCKNUT	4
3	0250208-00	TROLLEY WHEEL PINION SHAFT	1
4	0595195-00	TROLLEY SIDE PLATE (Plain)	1
5	0250666-00	LOCK PIN	1
6	0250202-00	TROLLEY WHEEL PINION	1
7	0610950-00	GUIDE SUPPORT	1
8	0150323-00	LOCKWASHER	2
9	0146380-00	HEX HEAD BOLT	2
10	0610949-00	HAND CHAIN GUIDE	1
11	0250218-00	HANDWHEEL	1
11A	0033730-00	HAND CHAIN (14 Foot Endless)	1
	5024471-81	ALUMINUM HAND CHAIN (Specify Length)	1
	0033731-00	CADMIUM PLATED HAND CHAIN (Specify Length)	1
12	0157040-00	LOCK PIN	1
13	0591427-00	SUSPENSION PIN	2
14	0154219-00	COTTER PIN	4
15	0250647-00	BEARING	8
16	0605561-00	RETAINING RING	4
17	6412103-00	TROLLEY WHEEL (Plain)	2
	6412113-00	TROLLEY WHEEL (Geared)	2
	0501071-00	TROLLEY WHEELLL (Plain Trolley)	4
	0579194-00	BRONZE TROLLEY WHEELS (Plain Trolley)	4
	5005343-00	BRONZE TROLLEY WHEELS (Geared Trolley Plain Side)	2
	0666220-00	BRONZE TROLLEY WHEELS (Geared Side)	2
18	0250576-00	AXLE	4
19	0236282-00	ADJUSTABLE WASHER	16
20	0535819-00	ADJUSTABLE WASHER	24
21	0589660-00	TROLLEY SIDE PLATE (Geared Trolley)	1
	0589660-00	TROLLEY SIDE PLATE (Plain Trolley)	1
22	0513771-00	NAMEPLATE	1
23	0150452-00	RIVET	2
24	0588130-00	SPACER	2
25	0127232-00	FRICTION PLATE	1
26	0154041-00	RAYBESTOS DISC	1
27	0158079-00	RATCHET DISC	1
28	0154042-00	OILITE DISC	1
29	0159671-00	SPRING WASHER	1
30	0165102-00	HANDWHEEL	1
31	0033730-00	HAND CHAIN (14 Foot Endless)	1
	5024471-81	ALUMINUM HAND CHAIN (Specify Length)	1
	0033731-00	CADMIUM PLATED HAND CHAIN (Specify Length)	1
32	0161405-00	CHECKWASHER	1
33	0154200-00	COTTER PIN	1
34	0149808-00	SLOTTED NUT	1
35	0595200-00	HAND CHAIN GUIDE AND COVER	1
36	0150321-00	LOCKWASHER	6
37	0655764-00	SOCKET HEAD SCREW	3
38	0159148-00	RETAINING RING	3

When Replacements Parts Are Needed, Order Only YALE • Factory Engineered Parts



LOAD KING TROLLEY HOIST - 2 TON

ITEM NUMBER	PART NUMBER	DESCRIPTION	QTY.
39	0156405-00	RING PAWL	1
40	0159622-00	RING PAWL SPRING	3
41	0151277-00	BALL BEARING	2
42	0150323-00	LOCKWASHER	3
43	0159799-00	RING PAWL STUD	3
44	0573889-00	SUSPENSION FRAME	1
45	0151279-00	BALL BEARING	1
46	0165096-00	LOAD SHEAVE	1
47	0151281-00	BALL BEARING	1
48	6400469-20	RETAINING RING	1
49	0150368-00	SHAKEPROOF WASHER	2
50	6412041-00	SOCKET HEAD SCREW	2
51	0155474-00	DRIVING PINION	1
52	0155366-00	LOAD GEAR	1
53	0159163-00	RETAINING RING	1
54	0655765-00	SOCKET HEAD SCREW	3
55	0151283-00	BEARING	1
56	0155386-00	INTERMEDIATE GEAR AND PINION	1
57	0151278-00	BEARING	1
58	0182571-00	RATCHET LEVER PLUG	2
59	0161946-00	BEARING SPACER	1
60	0655843-00	SOCKET HEAD SCREW	1
61	0150365-00	SHAKEPROOF WASHER	2
62	0164980-00	STRIPPER	1
63	0154196-00	COTTER PIN	1
64	0164964-00	LOAD CHAIN GUIDE	1
65	0161097-00	PLAIN WASHER	1
66	0146462-00	GEAR SUPPORT BOLT	2
67	0150370-00	SHAKEPROOF WASHER	2
68	0152018-00	GEAR SUPPORT	1
69	0033655-00	LOAD CHAIN (9 Foot Standard)	1
	3029961-81	STAINLESS STEEL LOAD CHAIN (Specify Length)	1
	0033656-00	CADIUM PLATED LOAD CHAIN (Specify length)	1
70	6426122-00	BOTTOM BLOCK ASSEMBLY (Incl. items 70A Through 81)	1
70A	6456721-00	BLOCK CASTING	1
71	6428971-00	SOCKET HEAD SCREW	1
72	6420451-00	BLOCK HALF	2
73	0150155-00	LOCK NUT	1
74	6401379-11	NUT	1
75	0669404-00	LATCH KIT	1
76	0511914-00	ROLL PIN	1
77	0501931-00	BOTTOM HOOK BEARING	1
78	6436252-00	BOTTOM HOOK AND NUT (Incl. Items 75 & 80)	1
79	0156924-00	CHAIN END PIN	1
80	6439323-01	WARNING DECAL	1

FOR SAFETY LUGS, TRACK CLAMPS, EXTENDED HANDWHEEL, CHAIN CONTAINERS, PATENT TRACK TROLLEY AND BULLARD BURNHAM HOOKS REFER TO UNIT MARKING WHEN ORDERING PARTS.

When Replacement Parts Are Needed, Order Only YALE® Factory Engineered Parts

LOAD KING TROLLEY HOIST
3 TON

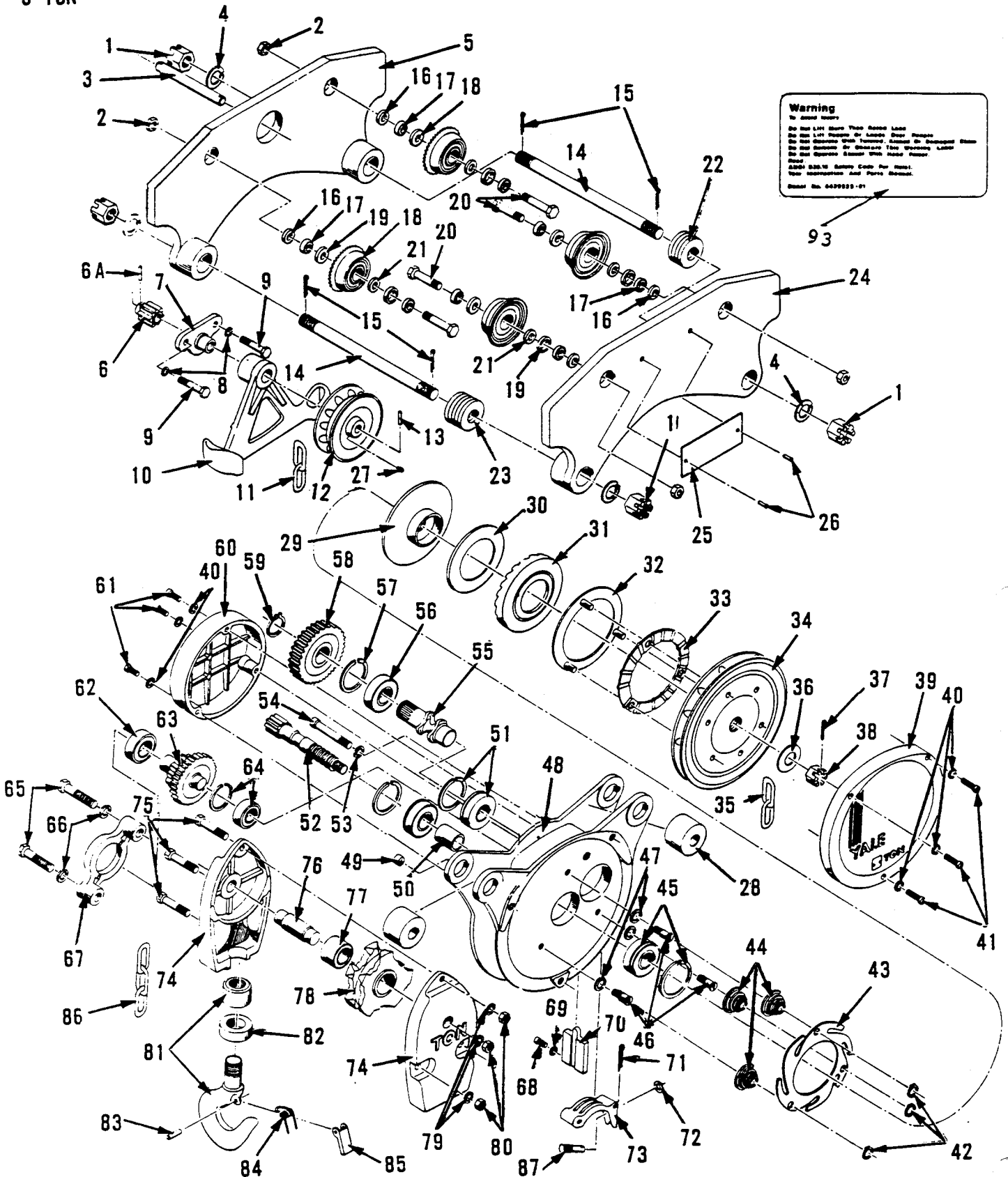


FIGURE 7. 3 TON LOAD KING TROLLEY HOIST

YE-013.

When Replacement Parts Are Needed, Order Only YALE® Factory Engineered Parts

LOAD KING TROLLEY HOIST
3 TON



ITEM NUMBER	PART NUMBER	DESCRIPTION	QTY.
1	0106722-00	SLOTTED NUT	4
2	0149379-00	HEX NUT	4
3	0589649-00	PINION SHAFT	1
4	0150299-00	LOCKWASHER	4
5	0595196-00	TROLLEY SIDE PLATE (Plain)	1
	0589662-00	TROLLEY SIDE PLATE (Geared)	1
6	0588168-00	TROLLEY WHEEL PINION	1
6A	0381400-00	LOCK PIN	1
7	0596773-00	HANDWHEEL SUPPORT	1
8	0150266-00	LOCKWASHER	2
9	0146423-00	HEX HEAD BOLT	2
10	0588165-00	HAND CHAIN GUIDE	1
11	0033730-00	HAND CHAIN (14 Foot Standard)	1
	5024471-81	ALUMINUM HAND CHAIN (Specify Length)	1
	0033731-00	CADMIUM PLATED HAND CHAIN (Specify Length)	1
12	0111132-00	HANDWHEEL	1
13	0319861-00	LOCK PIN	1
14	0588129-00	SUSPENSION PIN	2
15	0154219-00	COTTER PIN	4
16	0579174-00	TROLLEY WHEEL SPACER	4
17	0602352-00	CONE AND SEAL ASSEMBLY	8
18	6403844-00	TROLLEY WHEEL (Plain)	2
	6403854-00	TROLLEY WHEEL (Geared)	2
	0664887-00	BRONZE TROLLEY WHEEL (Plain Trolley)	4
	0664887-00	BRONZE TROLLEY WHEEL (Geared Trolley Plain Side)	2
	0664886-00	BRONZE TROLLEY WHEEL (Geared Side)	2
19	0602353-00	CUP	8
20	0579173-00	AXLE	4
21	0601083-00	BEARING SPACER	4
22	0236282-00	ADJUSTABLE WASHER	16
23	0535819-00	ADJUSTABLE WASHER	28
24	0589661-00	TROLLEY SIDE PLATE (Plain Trolley)	1
	0589661-00	TROLLEY SIDE PLATE (Geared Trolley)	1
25	0513771-00	NAMEPLATE	1
26	0149894-00	NAMEPLATE RIVETS	2
27	0388054-00	SET SCREW	1
28	0588130-00	SPACER	2
29	0127232-00	FRICTION PLATE	1
30	6484551-00	BRAKE DISC	1
31	0158079-00	RATCHET DISC	1
32	0154042-00	OILITE DISC	1
33	0159671-00	SPRING WASHER	1
34	0165102-00	HANDWHEEL	1
35	0033730-00	HAND CHAIN (14 Foot Endless)	1
	5024471-81	ALUMINUM HAND CHAIN (Specify Length)	1
	0033731-00	CADMIUM PLATED HAND CHAIN (Specify Length)	1
36	0161405-00	CHECKWASHER	1
37	0154200-00	COTTER PIN	1
38	0149808-00	SLOTTED NUT	1
39	0514084-00	HAND CHAIN GUIDE AND COVER	1
40	0150321-00	LOCKWASHER	6
41	0655764-00	SOCKET HEAD SCREW	3
42	0159148-00	RETAINING RING	3
43	0156405-00	RING PAWL	1

When Replacement Parts Are Needed, Order Only YALE[®] Factory Engineered Parts



3 TON

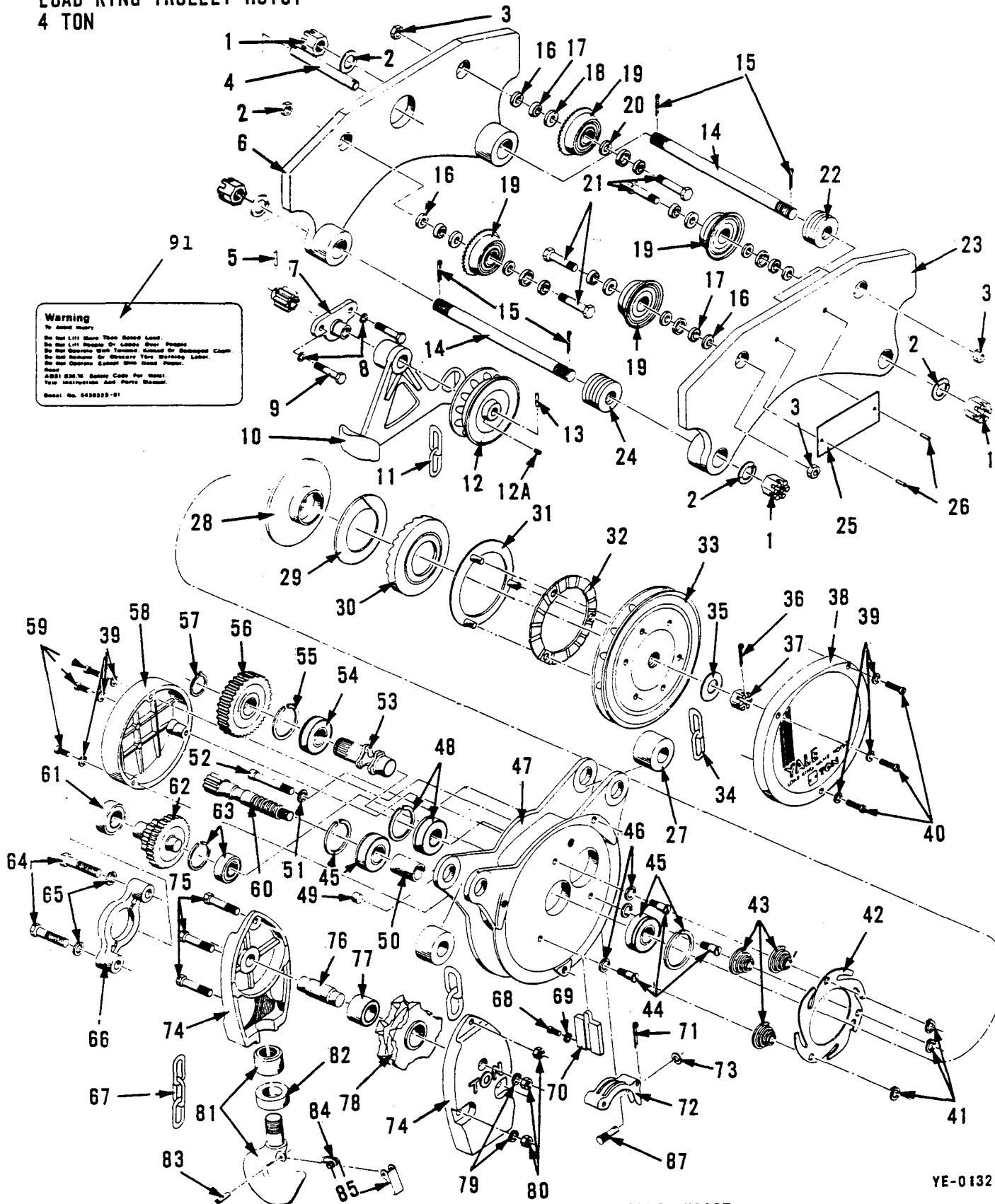
ITEM NUMBER	PART NUMBER	DESCRIPTION	QTY
44	0159622-00	RING PAWL SPRING	3
45	0151277-00	BEARING	2
46	0159799-00	RING PAWL STUD	3
47	0150323-00	LOCKWASHER	3
48	0573889-00	SUSPENSION FRAME	1
49	0182571-00	RATCHET LEVER PLUG	2
50	0161946-00	BEARING SPACER	1
51	0151279-00	BEARING SPACER	1
52	0155474-00	DRIVING PINION	1
53	0150368-00	SHAKEPROOF WASHER	2
54	6412041-00	SOCKET HEAD SCREW	2
55	0165095-00	LOAD SHEAVE	1
56	0151281-00	BEARING	1
57	6400469-20	RETAINING RING	1
58	0155365-00	LOAD GEAR	1
59	0159163-00	RETAINING RING	1
60	0155192-00	GEAR COVER	1
61	0655765-00	SOCKET HEAD SCREW	3
62	0151283-00	BEARING	1
63	0155385-00	INTERMEDIATE GEAR AND PINION	1
64	0151278-00	BEARING	1
65	0146462-00	GEAR SUPPORT BOLT	2
66	0150370-00	SHAKEPROOF WASHER	2
67	0152018-00	GEAR SUPPORT	1
68	0655843-00	SOCKET HEAD SCREW	1
69	0150365-00	SHAKEPROOF WASHER.	1
70	0164980-00	STRIPPER	1
71	0154196-00	COTTER PIN	1
72	0161040-00	PLAIN WASHER	1
73	0164961-00	LOAD CHAIN GUIDE	1
74	0510473-00	BOTTOM BLOCK HALF	2
75	0146393-00	HEX HEAD BOLT	3
76	0501935-00	SHAFT	1
77	6400269-01	ROLLER BEARING	1
78	6405463-00	SHEAVE	1
79	0150310-00	LOCKWASHER	3
80	0149369-00	HEX NUT	3
81**	6494220-00	HOOK & NUT ASSY (INCLUDES 82,83,84,85 & 94)	1
82	0501931-00	BOTTOM HOOK BEARING	1
83	*	RIVET	1
84	*	SPRING	1
85	*	LATCH	1
86	0033650-00	LOAD CHAIN	1
	5024481-81	STAINLESS STEEL LOAD CHAIN (Specify Length)	1
	0033651-00	CADIUM PLATED LOAD CHAIN (Specify Length)	1
87	0156923-00	CHAIN END PIN	1
88	0588154-00	DETACHABLE SHACKLE (Not Shown)	1
89	0149376-00	SHACKLE NUT (Not Shown)	1
90	0161109-00	WASHER (Not Shown)	1
91	0504959-00	SHAKLE BOLT (Not Shown)	1
92	0588346-00	SHACKLE BOLT NUT (Not Shown)	1
93	6439323-01	WARNING DECAL	1
94	0511914-00	HOOK NUT ROLL PIN (NOT SHOWN)	1

* Supplied in a kit only, number 0669403-00 ** For Bronze Spark Resistant Bottom Hook and Nut refer to unit marking on hoist when ordering parts.
For Safety Lugs, Track Clamps, Extended Handwheel, Chain Containers, Patent Track Trolley and Bullard Burnam Hooks Refer To Unit Marking When Ordering Parts.

When Replacement Parts Are Needed, Order Only YALE ® Factory Engineered Parts



LOAD KING TROLLEY HOIST
4 TON



Warning
To avoid injury:
Do Not Lift More Than Rated Load.
Do Not Lift People Or Loose Steel Pieces.
Do Not Operate With Trolley Locked Or Released Chain.
Do Not Remove Or Obsolete The Warning Label.
Do Not Operate Except With Good Power.
Read ABSI 230.16 Safety Code For Hoist.
See Instructions And Parts Manual.
Serial No. 6439322-01

FIGURE 8. 4 TON LOAD KING TROLLEY HOIST

YE-0132

When Replacement Parts Are Needed, Order Only YALE® Factory Engineered Parts

Load King Trolley Hoist
4 Ton



Item Number	Part Number	Description	Qty.
1	0106722-00	Slotted Nut	4
2	0150299-00	Lockwasher	4
3	0149379-00	Hex Nut	4
4	0589649-00	Trolley Wheel Pinion Shaft	1
4A	0588168-00	Trolley Wheel Pinion	1
5	0381400-00	Lock Pin	1
6	0595196-00	Trolley Side Plate (Plain)	1
	0589662-00	Trolley Side Plate (Geared)	1
7	0596773-00	Support Bracket	1
8	0150266-00	Lockwasher	2
9	0146423-00	Hex Bolt	2
10	0588165-00	Hand Chain Guide	1
11	0033730-00	Hand Chain (14 Foot Endless)	1
	5024471-81	Aluminum Hand Chain (Specify Length)	1
	0033731-00	Cadmium Plated Hand Chain (Specify Length)	1
12	0111132-00	Handwheel	1
13	0319861-00	Lock Pin	1
14	0588129-00	Suspension Pin	2
15	0154219-00	Cotter Pin	4
16	0579174-00	Trolley Wheel Spacer	4
17	0602352-00	Cone and Seal Assembly	8
18	0602353-00	Cup	8
19	6403844-00	Trolley Wheel (Plain)	2
	6403854-00	Trolley Wheel (Geared)	2
	0664887-00	Bronze Trolley Wheels (Plain Trolley)	4
	0664887-00	Bronze Trolley Wheels (Geared Trolley Plain Side)	2
	0664886-00	Bronze Trolley Wheels (Geared Side)	2
20	0579173-00	Axle	4
21	0601083-00	Bearing Spacer	4
22	0236282-00	Adjustable Washer	16
23	0589661-00	Trolley Side Plate (Plain Trolley)	1
24	0535819-00	Adjustable Washer	28
25	0513771-00	Nameplate	1
26	0149894-00	Nameplate Rivets	2
27	0588130-00	Spacer	2
28	0127232-00	Friction Plate	1
29	6484551-00	Brake Disc	1
30	0158079-00	Ratchet Disc	1
31	0154042-00	Oilite Disc	1
32	0159671-00	Spring Washer	1
33	0165102-00	Handwheel	1
34	0033730-00	Hand Chain (14 Foot Endless)	1
	5024471-81	Aluminum Hand Chain (Specify Length)	1
	0033731-00	Cadmium Plated Hand Chain (Specify Length)	1
35	0161405-00	Checkwasher	1
36	0154200-00	Cotter Pin	1
37	0149808-00	Slotted Nut	1
38	0514085-00	Hand Chain Guide and Cover	1
39	0150321-00	Lockwasher	6
40	0655764-00	Socket Head Screw	3
41	0159148-00	Retaining Ring	3
42	0156405-00	Ring Pawl	1
43	0159622-00	Ring Pawl Spring	3

When Replacement Parts Are Needed, Order Only YALE ® Factory Engineered Part

LOAD KING TROLLEY HOIST

4 Ton



Item Number	Part Number	Description	Qty.
44	0159799-00	Ring Pawl Stud	3
45	0151277-00	Bearing	2
46	0150323-00	Lockwasher	3
47	0573889-00	Suspension Frame	1
48	0151279-00	Bearing	1
49	0182571-00	Ratchet Lever Plug	2
50	0161946-00	Bearing Spacer	1
51	0150368-00	Shakeproof Washer	2
52	6412041-00	Socket Head Screw	2
53	0165096-00	Load Sheave	1
54	0151281-00	Bearing	1
55	6400469-20	Retaining Ring	1
56	0155366-00	Load Gear	1
57	0159163-00	Retaining Ring	3
58	0155192-00	Gear Cover	1
59	0655765-00	Socket Head Screw	3
60	0155474-00	Driving Pinion	1
61	0151283-00	Bearing	1
62	0155386-00	Intermediate Gear and Pinion	1
63	0151278-00	Bearing	1
64	0146462-00	Gear Support Bolt	2
65	0150370-00	Shakeproof Washer	2
66	0152018-00	Gear Support	1
67	0033655-00	Load Chain (18 Foot Endless)	1
	5029961-81	Stainless Steel Load Chain (Specify Length)	1
	0033656-00	Cadium Plated Load Chain (Specify Length)	1
68	0655843-00	Socket Head Screw	1
69	0150365-00	Shakeproof Washer	1
70	0164980-00	Stripper	1
71	0154196-00	Cotter Pin	1
72	0164964-00	Load Chain Guide	1
73	0161097-00	Plain Washer	1
74	0510474-00	Bottom Block Half	2
75	0146393-00	Hex Head Bolt	3
76	0501935-00	Shaft	1
77	6400269-01	Roller Bearing	1
78	6405453-00	Bottom Block Sheave	1
79	0150310-00	Lockwasher	3
80	0149369-00	Hex Nut	3
81**	6494310-00	Hook & Nut Assy (Incl. 82,83,84,85, & 92)	1
82	0501932-00	Bottom Hook Bearing	1
83	*	Rivet	1
84	*	Spring	1
85	*	Latch	1
86	0588154-00	Detachable Shackle (Not Shown)	1
87	0149376-00	Nut (Not Shown)	1
88	0161109-00	Washer (Not Shown)	1
89	0504959-00	Shackle Bolt	1
90	0588346-00	Shackle Bolt Nut	1
91	6439323-01	Warning Decal	1
92	0592974-00	Hook Nut Roll Pin (NOT SHOWN)	1

* Supplied in a kit only, number 0669404-00

** For Bronze Spark Resistant Bottom Hook and Nut refer to unit marking on hoist when ordering parts. FOR SAFETY LUGS, TRACK CLAMP, EXTENDED HANDWHEEL, CHAIN CONTAINERS, PATENT TRACK TROLLEY AND BULLARD BURNHAM HOOKS REFER TO UNIT MARKING WHEN ORDERING PARTS.

When Replacement Parts Are Needed, Order Only YALE® Factory Engineered Parts

REPAIR PARTS



LOAD KING TROLLEY HOIST
5 TON TROLLEY PARTS

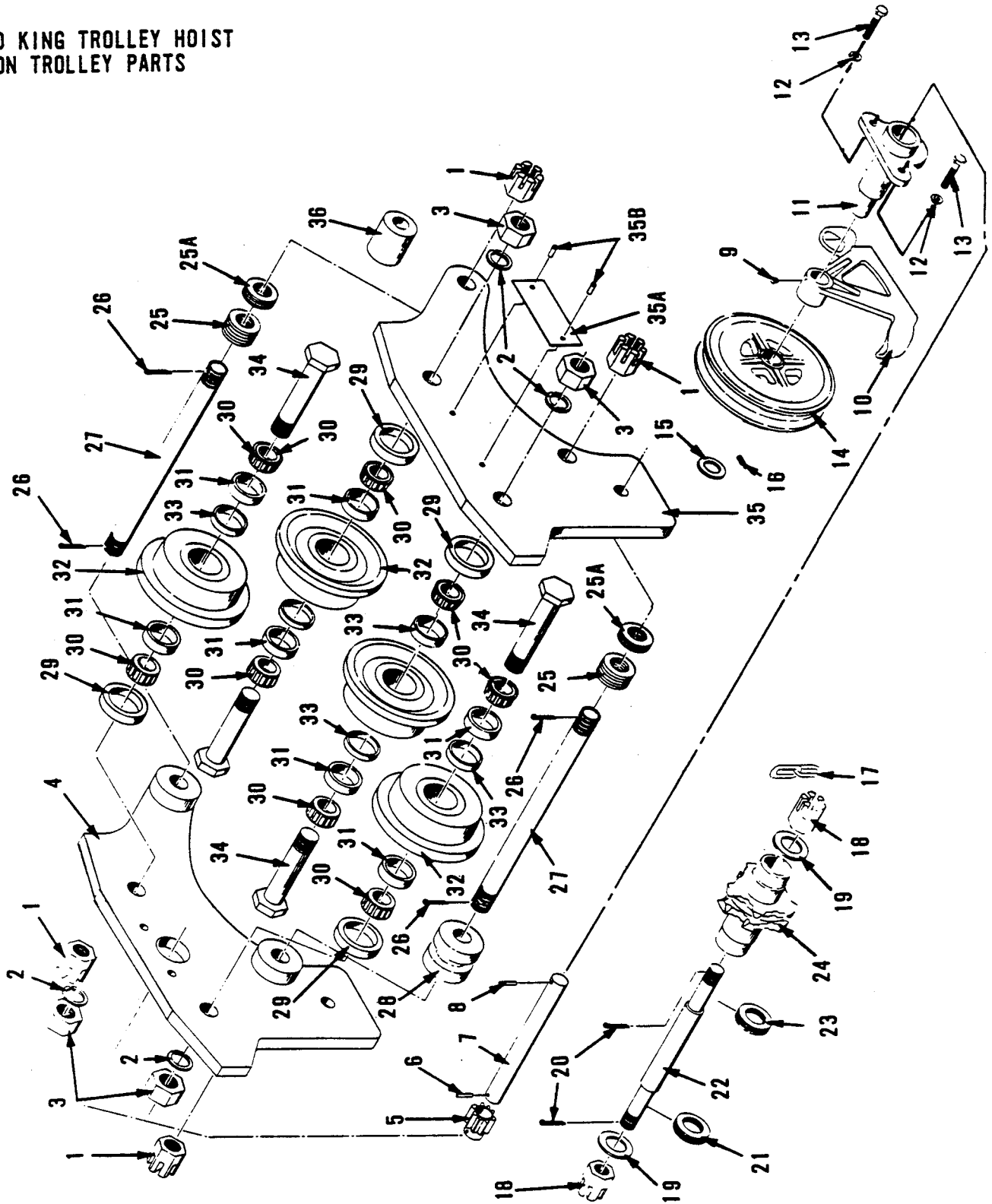


FIGURE 9. 5 TON LOAD KING TROLLEY HOIST TROLLEY PARTS

When Replacement Parts Are Needed, Order Only YALE® Factory Engineered Parts



LOAD KING TROLLEY HOIST
5 TON HOIST PARTS

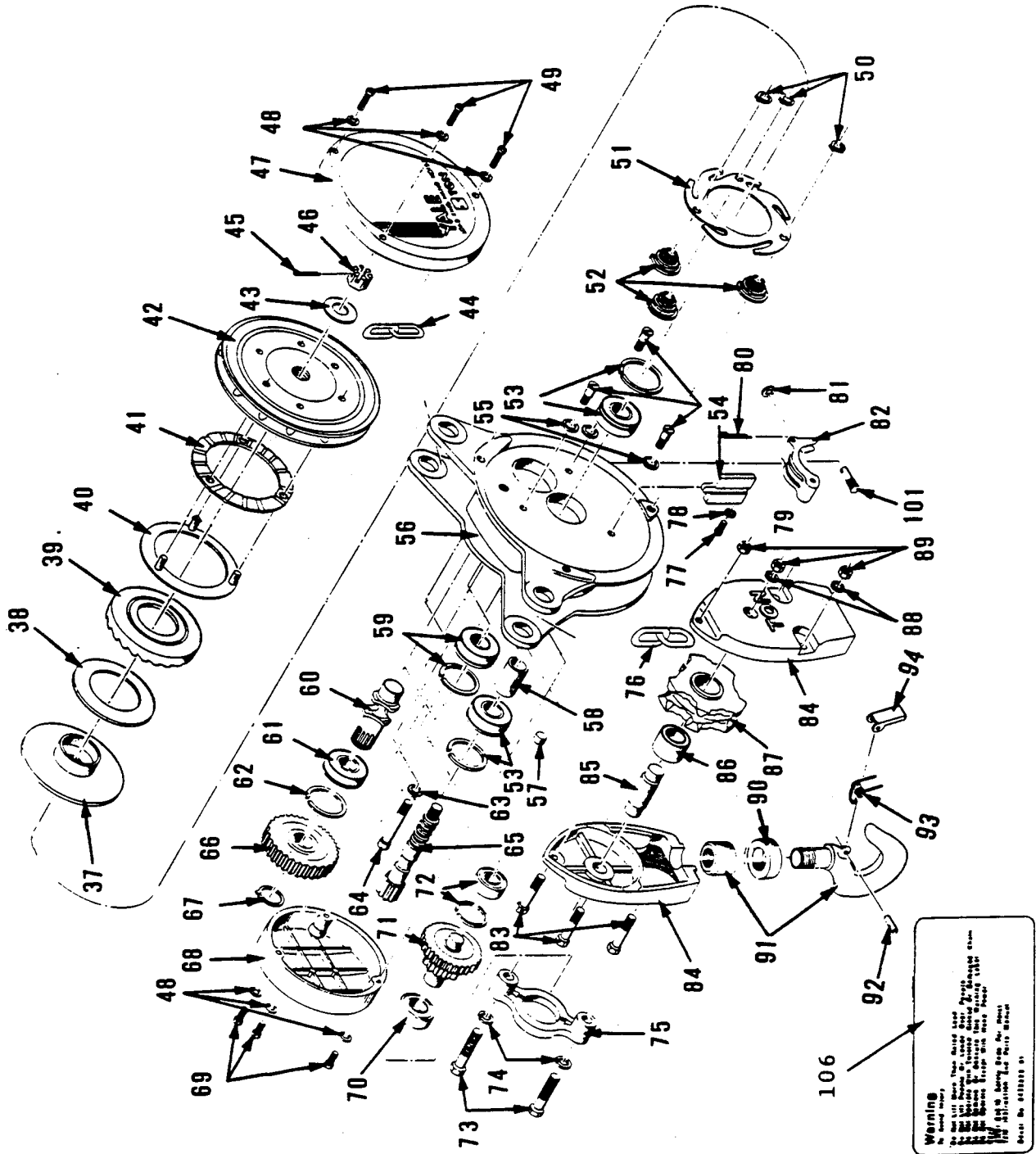


FIGURE 10. 5 TON LOAD KING TROLLEY HOIST, HOIST PARTS

When Replacement Parts Are Needed, Order Only YALE® Factory Engineered Parts

LOAD KING TROLLEY HOIST
5 TON PARTS LISTING



ITEM NUMBER	PART NUMBER	DESCRIPTION	QTY.
1	0106722-00	SLOTTED NUT	4
2	0150299-00	LOCKWASHER	4
3	0149379-00	HEX NUT	4
4	0579141-00	TROLLEY SIDE PLATE (Plain)	1
	0579141-00	TROLLEY SIDE PLATE (Geared)	1
5	0588168-00	TROLLEY WHEEL PINION	1
6	0319861-00	LOCK PIN	1
7	0589649-00	PINION SHAFT	1
8	0154213-00	LOCK PIN	1
9	0182552-00	BALL VALVE OIL HOLE COVER	2
10	0588165-00	HAND CHAIN GUIDE	1
11	0596773-00	HANDWHEEL SUPPORT BRACKET	1
12	0150266-00	LOCKWASHER	2
13	0146423-00	HEX BOLT	2
14	0111132-00	HANDWHEEL	1
15	0250668-00	WASHER	1
16	0388054-00	SET SCREW	1
17	0033730-00	HAND CHAIN (14 foot Endless)	1
	5024471-81	ALUMINUM HAND CHAIN (Specify Length)	1
	0033731-00	CADMIUM PLATED HAND CHAIN (Specify Length)	1
18	0526382-00	SLOTTED NUT	2
19	0161190-00	IDLER SHEAVE WASHER	2
20	0154186-00	COTTER PIN	2
21	0250387-00	ADJUSTING WASHER	8
22	0597669-00	IDLER SHEAVE SHAFT	1
23	0161112-00	ADJUSTING WASHER	12
24	0602396-00	IDLER SHEAVE ASSEMBLY	1
25	0535819-00	ADJUSTING WASHER	28
25A	0236282-00	ADJUSTING WASHER	16
26	0154219-00	COTTER PIN	4
27	0588129-00	SUSPENSION PIN	2
28	0602395-00	CHAIN GUIDE AND SPACER	1
29	0579174-00	TROLLEY WHEEL SPACER	4
30	0602352-00	CONE AND SEAL ASSEMBLY	8
31	0602353-00	CUP	8
32	6403844-00	TROLLEY WHEEL (Plain)	2
	6403854-00	TROLLEY WHEEL (Geared)	2
	0664887-00	BRONZE TROLLEY WHEELS (Plain Trolley)	2
	0664887-00	BRONZE TROLLEY WHEELS (Geared Trolley Plain Side)	2
33	0601083-00	BEARING SPACER	4
34	0579173-00	AXLE	4
35	0579142-00	TROLLEY SIDE PLATE (Plain)	1
	0579142-00	TROLLEY SIDE PLATE (Geared)	1
36	0588130-00	SPACER	1
37	0127232-00	FRICITION PLATE	1
38	6484551-00	BRAKE DISC	1
39	0158079-00	RATCHET DISC	1
40	0154042-00	OILITE DISC	1
41	0159671-00	SPRING WASHER	1
42	0165102-00	HANDWHEEL	1
43	0161405-00	CHECKWASHER	1
44	0033730-00	HAND CHAIN (14 Foot Endless)	1
	5024471-81	ALUMINUM HAND CHAIN (Specify Length)	1
	0033731-00	CADMIUM PLATED HAND CHAIN (Specify Length)	1

When Replacement Parts Are Needed, Order Only YALE® Factory Engineered Parts

LOAD KING TROLLEY HOIST
5 TON PARTS LISTING



ITEM NUMBER	PART NUMBER	DESCRIPTION	QTY.
45	0154200-00	COTTER PIN	1
46	0149808-00	SLOTTED NUT	1
47	0514086-00	HAND CHAIN GUIDE AND COVER	1
48	0150321-00	LOCKWASHER	6
49	0655764-00	SOCKET HEAD SCREW	3
50	0159148-00	RETAINING RING	3
51	0156405-00	RING PAWL	1
52	0159622-00	RING PAWL SPRING	3
53	0151277-00	BEARING	2
54	0159799-00	RING PAWL STUD	3
55	0150323-00	LOCKWASHER	3
56	0573889-00	SUSPENSION FRAME	1
57	0182571-00	RATCHET LEVER PLUG	2
58	0161946-00	BEARING SPACER	1
59	0151279-00	BEARING	1
60	0165095-00	LOAD SHEAVE	1
61	0151281-00	BEARING	1
62	6400469-20	RETAINING RING	1
63	0150368-00	SHAKEPROOF WASHER	2
64	6412041-00	SOCKET HEAD SCREW	2
65	0526155-00	DRIVING PINION	1
66	0155366-00	LOAD GEAR	1
67	0159163-00	RETAINING RING	1
68	0155192-00	GEAR COVER	1
69	0655765-00	SOCKET HEAD SCREW	3
70	0151283-00	BEARING	1
71	0526154-00	INTERMEDIATE GEAR AND PINION	1
72	0151278-00	BEARING	1
73	0146462-00	GEAR SUPPORT BOLT	2
74	0150370-00	LOCKWASHER	2
75	0152018-00	GEAR SUPPORT	1
76	0033650-00	LOAD CHAIN (27' 6" Standard)	1
	5024481-00	STAINLESS STEEL LOAD CHAIN (Specify Length)	1
77	0655843-00	SOCKET HEAD SCREW	1
78	0150365-00	SHAKEPROOF WASHER	1
79	0164980-00	STRIPPER	1
80	0154196-00	COTTER PIN	1
81	0161040-00	PLAIN WASHER	1
82	0164961-00	LOAD CHAIN GUIDE	1
83	0504959-00	CHAIN ANCHOR BOLT	1
83A	0146749-00	HEX HEAD BOLT	2
84	0510559-00	BOTTOM BLOCK HALF	2
85	0501935-00	SHAFT	1
86	6400269-01	ROLLER BEARING	1
87	6405463-00	SHEAVE	1
88	0150266-00	LOCKWASHER	2
89	0149372-00	HEX NUT	2
89A	0588346-00	STOVER LOCK NUT	1
90	0334120-00	BOTTOM HOOK BEARING	1
91**	6494250-00	HOOK & NUT ASSY (INC. 90,92,93,94 & 107)	1
92	*	RIVET	1
93	*	SPRING	1
94	*	LATCH	1

When Replacement Parts Are Needed, Order Only YALE® Factory Engineered Parts



5 TON PARTS LISTING

ITEM NUMBER	PART NUMBER	DESCRIPTION	QTY.
95	0597612-00	STOP (Not Shown)	1
96	0146496-00	BOLT (Not Shown)	1
97	0150296-00	LOCKWASHER (Not Shown)	1
98	0149715-00	HEX NUT (Not Shown)	1
99	0513771-00	NAMEPLATE (Not Shown)	1
100	0149894-00	NAMEPLATE RIVETS	2
101	0156923-00	CHAIN END PIN	1
102	0597612-00	STOP (Not Shown)	1
103	0350275-00	HEX BOLT	1
104	0401009-00	LOCKWASHER	1
105	0379031-00	HEX NUT	1
106	6439323-01	WARNING DECAL	1
107	0592974-00	HOOK NUT ROLL PIN (NOT SHOWN)	1

* Supplied in a kit only, number 0669405-00

** For Bronze Spark Resistant Bottom Hook and Nut refer to unit marking on hoist when ordering parts.
FOR SAFETY LUGS, TRACK CLAMPS, EXTENDED HANDWHEEL, CHAIN CONTAINERS, PATENT TRACK TROLLEY AND BULLARD BURNHAM HOOKS REFER TO UNIT MARKING WHEN ORDERING PARTS.



LOAD KING TROLLEY HOIST
6 TON TROLLEY PARTS

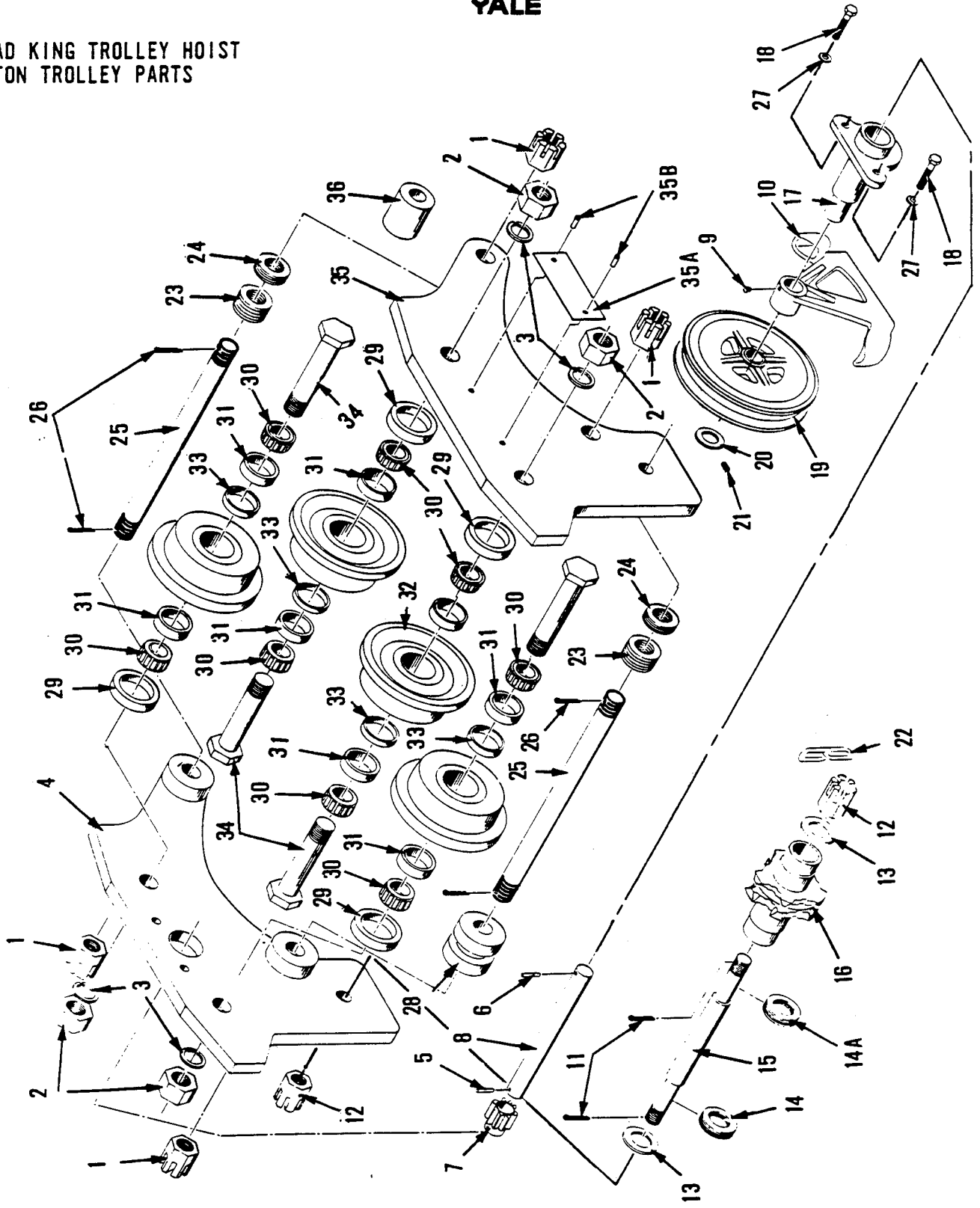


FIGURE 11. 6 TON LOAD KING TROLLEY HOIST, TROLLEY PARTS

When Replacement Parts Are Needed, Order Only YALE[®] Factory Engineered Parts

LOAD KING TROLLEY HOIST



LOAD KING TROLLEY HOIST
6 TON HOIST PARTS

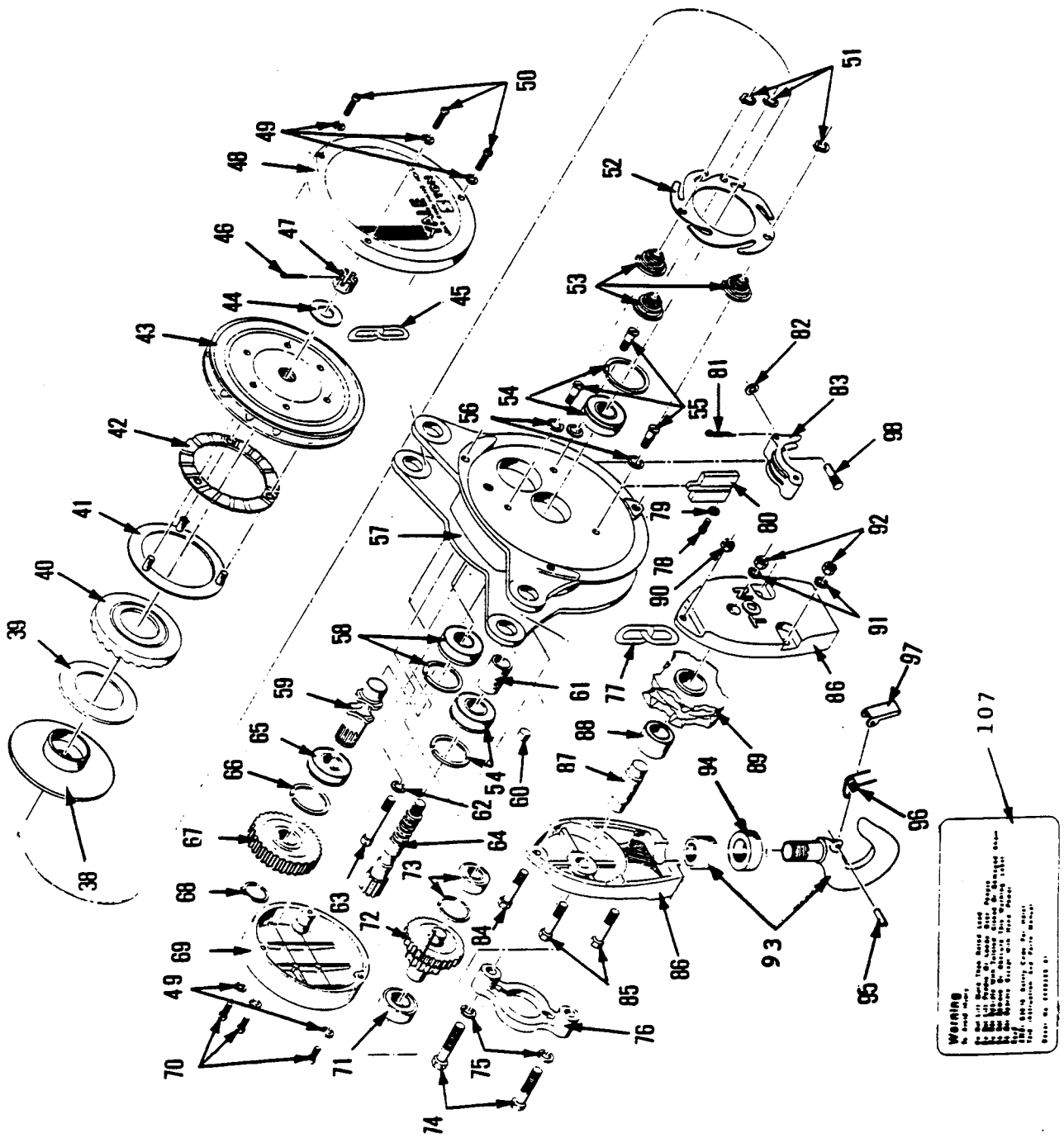


FIGURE 12. 6 TON LOAD KING TROLLEY HOIST, HOIST PARTS

When Replacement Parts Are Needed, Order Only YALE® Factory Engineered Parts

LOAD KING TROLLEY HOIST
6 TON PARTS LISTING



ITEM NUMBER	PART NUMBER	DESCRIPTION	QTY.
1	0106722-00	SLOTTED NUT	4
2	0149379-00	HEX NUT	4
3	0150299-00	LOCKWASHERS	4
4	0597141-00	TROLLEY SIDE PLATE (Plain)	1
	0579141-00	TROLLEY SIDE PLATE (Geared)	1
5	0319861-00	LOCK PIN	1
6	0154213-00	LOCK PIN	1
7	0588168-00	TROLLEY WHEEL PINION	1
8	0589649-00	PINION SHAFT	1
9	0182552-00	BALL VALVE OIL HOLE COVER	2
10	0588165-00	HAND CHAIN GUIDE	1
11	0154186-00	COTTER PIN	2
12	0526382-00	SLOTTED NUT	2
13	0161190-00	IDLER SHEAVE SHAFT	2
14	0250387-00	ADJUSTING WASHER	8
14A	0161112-00	ADJUSTING WASHER	12
15	0597669-00	IDLER SHEAVE SHAFT	1
16	0602396-00	IDLER SHEAVE ASSEMBLY	1
17	0596773-00	HANDWHEEL SUPPORT BRACKET	1
18	0146423-00	HEX BOLT	2
19	0111132-00	HANDWHEEL	1
20	0250668-00	WASHER	1
21	0388054-00	SET SCREW	1
22	0033730-00	HAND CHAIN (14 Foot Endless)	1
	5024471-00	ALUMINUM HAND CHAIN (Specify Length)	1
	0033731-00	CADMIUM PLATED HAND CHAIN (Specify Length)	1
23	0535819-00	ADJUSTING WASHER	28
24	0236282-00	ADJUSTING WASHER	16
25	0588129-00	SUSPENSION PIN	2
26	0154219-00	COTTER PIN	4
27	0150266-00	LOCKWASHER	2
28	0602395-00	CHAIN GUIDE AND SPACER	1
29	0579174-00	TROLLEY WHEEL SPACER	4
30	0602352-00	CONE AND SEAL ASSEMBLY	8
31	0602353-00	CUP	8
32	6403844-00	TROLLEY WHEEL (Plain)	2
	6403854-00	TROLLEY WHEEL (Geared)	2
	0664887-00	BRONZE TROLLEY WHEEL (Plain Trolley)	4
	0664887-00	BRONZE TROLLEY WHEEL (Geared Trolley Plain Side)	2
	0664886-00	BRONZE TROLLEY WHEEL (Geared Side)	2
33	0601083-00	BEARING SPACER	4
34	0579173-00	AXLE	4
35	0579142-00	TROLLEY SIDE PLATE (Plain)	1
	0597142-00	TROLLEY SIDE PLATE (Geared)	1
36	0588130-00	SPACER	1
37	0111950-00	LAMINATED SHIM (Not Shown)	**
38	0127232-00	FRICTION PLATE	1
39	6484551-00	BRAKE DISC	1
40	0158079-00	RATCHET DISC	1
41	0154042-00	OILITE DISC	1
42	0159671-00	SPRING WASHER	1
43	0165102-00	HANDWHEEL	1
44	0161405-00	CHECKWASHER	1

When Replacement Parts Are Needed, Order Only YALE® Factory Engineered Parts



LOAD KING TROLLEY HOIST
6 TON PARTS LISTING

ITEM NUMBER	PART NUMBER	DESCRIPTION	QTY.
45	0033730-00	HAND CHAIN (14 Foot Endless)	1
	5024471-00	ALUMINUM HAND CHAIN (Specify Length)	1
	0033731-00	CADMIUM PLATED HAND CHAIN (Specify Length)	1
46	0154200-00	COTTER PIN	1
47	0149808-00	SLOTTED NUT	1
48	0514087-00	HAND CHAIN GUIDE AND COVER	1
49	0150321-00	LOCKWASHER	6
50	0655764-00	SOCKET HEAD SCREW	2
51	0159148-00	RETAINING RING	3
52	0156405-00	RING PAWL	1
53	0159622-00	RING PAWL SPRING	3
54	0151277-00	BEARING	2
55	0159799-00	RING PAWL STUD	3
56	0150323-00	LOCKWASHER	3
57	0573889-00	SUSPENSION FRAME	1
58	0151279-00	BEARING	1
59	0165095-00	LOAD SHEAVE	1
60	0182571-00	RATCHET LEVER PLUG	2
61	0161946-00	BEARING SPACER	1
62	0150368-00	SHAKEPROOF WASHER	1
63	6412041-00	SOCKET HEAD SCREW	1
64	0526155-00	DRIVING PINION	1
65	0151281-00	BEARING	1
66	6400469-00	RETAINING RING	1
67	0155366-00	LOAD GEAR	1
68	0159163-00	RETAINING RING	1
69	0155192-00	GEAR COVER	1
70	0655765-00	SOCKET HEAD SCREW	3
71	0151283-00	BEARING	1
72	0526154-00	INTERMEDIATE GEAR AND PINION	1
73	0151278-00	BEARING	1
74	0146462-00	GEAR SUPPORT BOLT	2
75	0150370-00	SHAKEPROOF WASHER	2
76	0152018-00	GEAR SUPPORT	1
77	0033650-00	LOAD CHAIN (27'6" Standard)	1
	0033651-00	CADIUM PLATED LOAD CHAIN (Specify Length)	1
78	0655843-00	SOCKET HEAD SCREW	1
79	0150365-00	SHAKEPROOF WASHER	1
80	0164980-00	STRIPPER	1
81	0154196-00	COTTER PIN	1
82	0161040-00	PLAIN WASHER	1
83	0164961-00	LOAD CHAIN GUIDE	1
84	0504959-00	CHAIN ANCHOR BOLT	1
85	0146749-00	HEX HEAD BOLT	2
86	0504825-00	BOTTOM BLOCK HALF	2
87	0501935-00	SHAFT	1
88	6400269-01	ROLLER BEARING	1
89	6405463-00	SHEAVE	1
90	0588346-00	STOVER LOCK NUT	1
91	0150266-00	LOCKWASHER	2
92	0149372-00	HEX NUT	2
93***	6494250-00	HOOK & NUT ASSY (INC. 94,95,96,97 & 108)	1

When Replacement Parts Are Needed, Order Only YALE® Factory Engineered Parts

LOAD KING TROLLEY HOIST
6 TON PARTS LISTING



ITEM NUMBER	PART NUMBER	DESCRIPTION	QTY.
94	0334120-00	BOTTOM HOOK BEARING	1
95	*	RIVET	1
96	*	SPRING	1
97	*	LATCH	1
98	0156923-00	CHAIN END PIN (Not Shown)	1
99	0597612-00	STOP (Not Shown)	1
100	0146496-00	BOLT (Not Shown)	1
101	0150296-00	LOCKWASHER (Not Shown)	1
102	0149715-00	HEX NUT	1
103	0597612-00	STOP (Not Shown)	1
104	0350275-00	HEX BOLT (Not Shown)	1
105	0401009-00	LOCKWASHER (Not Shown)	1
106	0379031-00	HEX NUT (Not Shown)	1
107	6439323-01	WARNING DECAL	1
108	0592974-00	HOOK NUT ROLL PIN (NOT SHOWN)	1

* Supplied in a kit only, number 0669405-00

** As required

*** For Bronze Spark Resistant Bottom Hook and Nut refer to unit marking on hoist when order parts.

FOR SAFETY LUGS, TRACK CLAMPS, EXTENDED HANDWHEEL, CHAIN CONTAINERS, PATENT TRACK TROLLEY AND BULLARD BURNHAM HOOKS REFER TO UNIT MARKING WHEN ORDERING PARTS.



LOAD KING TROLLEY HOIST
8 TON TROLLEY PARTS

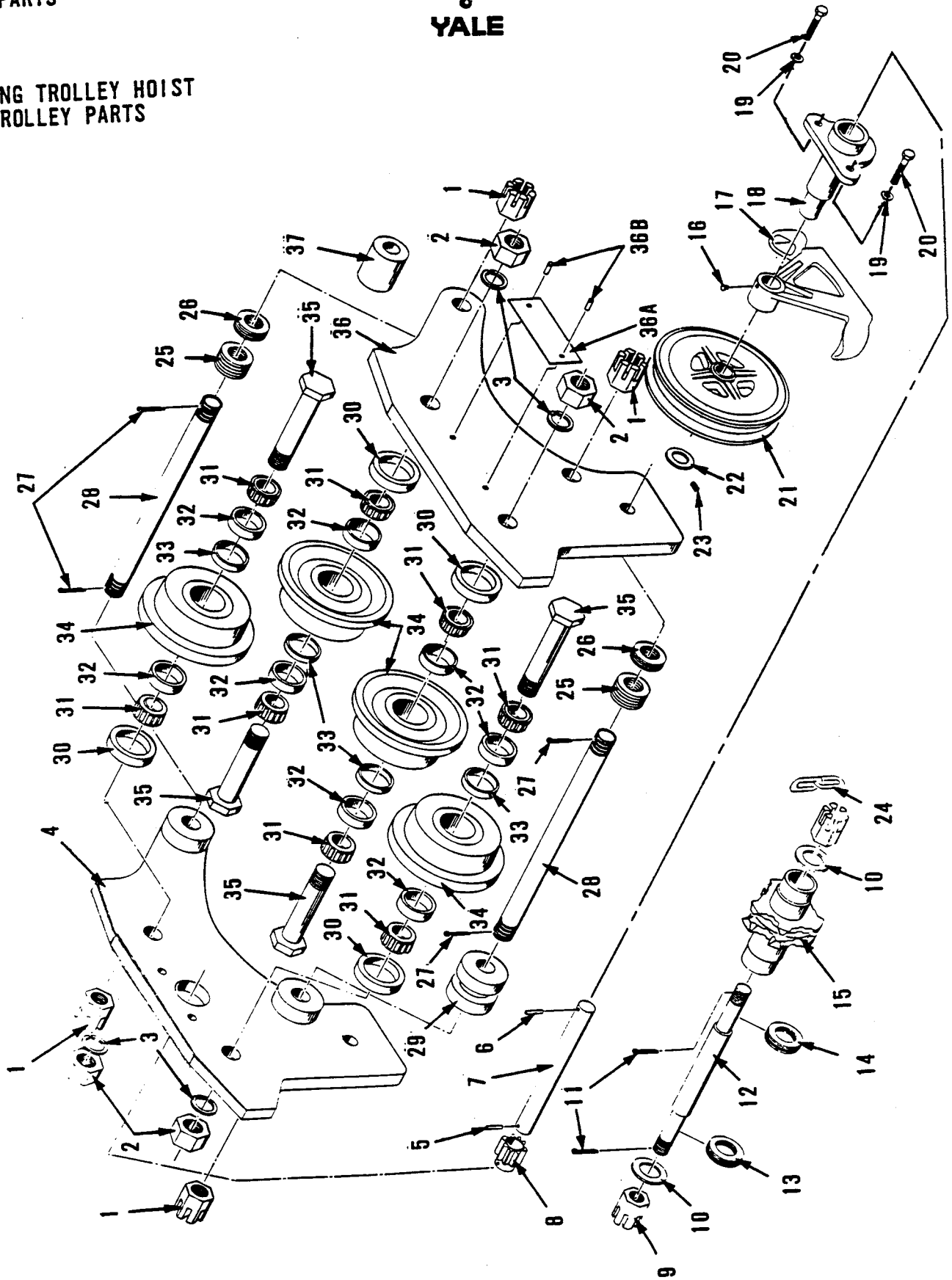


FIGURE 13. 8 TON LOAD KING TROLLEY HOIST, TROLLEY PARTS

When Replacement Parts Are Needed, Order Only YALE[®] Factory Engineered Parts
LOAD KING TROLLEY HOIST

LOAD KING TROLLEY HOIST
8 TON PARTS LISTING



ITEM NUMBER	PART NUMBER	DESCRIPTION	QTY.
1	0106722-00	SLOTTED NUT	4
2	0149719-00	HEX NUT	4
3	0150300-00	LOCKWASHER	4
4	0596768-00	TROLLEY SIDE PLATE (Plain)	1
	0596768-00	TROLLEY SIDE PLATE (Geared)	1
5	0157393-00	LOCK PIN	1
6	0154214-00	COTTER PIN	1
7	0589693-00	PINION SHAFT	1
8	0589690-00	TROLLEY WHEEL PINION	1
9	0149851-00	SLOTTED NUT	1
10	0161201-00	WASHER	2
11	0154219-00	COTTER PIN	2
12	0597670-00	IDLER SHEAVE SHAFT	1
13	0535819-00	ADJUSTING WASHER	16
14	0236282-00	ADJUSTING WASHER	*
15	0603345-00	IDLER SHEAVE ASSEMBLY	1
16	0182552-00	BALL VALVE OIL HOLE COVER	2
17	0591410-00	HAND CHAIN GUIDE	1
18	0591414-00	SUPPORT BRACKET	1
19	0150266-00	LOCKWASHER	2
20	0146423-00	HEX HEAD BOLT	2
21	0535795-00	HANDWHEEL	1
22	0250664-00	WASHER	1
23	0388010-00	SET SCREW	1
24	0033730-00	HAND CHAIN (14 Foot Endless)	1
	5024471-00	ALUMINUM HAND CHAIN (Specify Length)	1
	0033730-00	CADMIUM PLATED (Specify Length)	1
25	0236282-00	ADJUSTING WASHER	*
26	0236282-00	ADJUSTING WASHER	*
27	0154219-00	COTTER PIN	4
28	0589665-00	SUSPENSION PIN	2
29	0602395-00	HAND CHAIN GUIDE AND SPACER	1
30	0236024-00	TROLLEY WHEEL SPACER	4
31	0646671-00	CONE	8
32	0646670-00	CUP	8
33	0646668-00	BEARING SPACER	4
34	0646672-00	TROLLEY WHEEL (Plain)	2
	0646673-00	TROLLEY WHEEL (Geared)	2
	6404364-00	BRONZE TROLLEY WHEEL (Plain Trolley)	4
	6404364-00	BRONZE TROLLEY WHEEL (Geared Trolley Plain Side)	2
	6404374-00	BRONZE TROLLEY WHEEL (Geared Side)	2
35	0589696-00	AXLE	4
36	0596767-00	TROLLEY SIDE PLATE (Geared)	1
	0596767-00	TROLLEY SIDE PLATE (Plain)	1
37	0588130-00	SPACER	1
38	0187548-00	GREASE FITTING ALEMITE (Not Shown)	4
39	0111948-00	SHIM	**
40	0646666-00	DUST GUARD	4
	0646667-00	DUST GUARD	4
41	0127232-00	FRICTION PLATE	1
42	6484551-00	BRAKE DISC	1
43	0158079-00	RATCHET DISC	1
44	0154042-00	OILITE DISC	1

When Replacement Parts Are Needed, Order Only YALE® Factory Engineered Parts

LOAD KING TROLLEY HOIST
8 TON PARTS LISTING



ITEM NUMBER	PART NUMBER	DESCRIPTION	QTY.
45	0159671-00	SPRING WASHER	1
46	0165102-00	HANDWHEEL	1
47	0161405-00	CHECKWASHER	1
48	0033730-00	HAND CHAIN (14 Foot Endless)	1
	5024471-81	ALUMINUM HAND CHAIN (Specify Length)	1
	0033731-00	CADMIUM PLATED (Specify Length)	1
49	0154200-00	COTTER PIN	1
50	0149808-00	SLOTTED NUT	1
51	0514088-00	HAND CHAIN GUIDE AND COVER	1
52	0150321-00	LOCKWASHER	6
53	0655764-00	SOCKET HEAD SCREW	3
54	0159148-00	RETAINING RING	3
55	0156405-00	RING PAWL	1
56	0159622-00	RING PAWL SPRING	3
57	0151277-00	BEARING	2
58	0159799-00	RING PAWL STUD	3
59	0150323-00	LOCKWASHER	1
60	0573889-00	SUSPENSION FRAME	1
61	0182571-00	RATCHET LEVER PLUG	1
62	0161946-00	BEARING SPACER	1
63	0151279-00	BEARING	1
64	0165096-00	LOAD SHEAVE	1
65	0150368-00	SHAKEPROOF WASHER	1
66	6412041-00	SOCKET HEAD SCREW	2
67	0526155-00	DRIVING PINION	1
68	0151281-00	BEARING	1
69	6400469-20	RETAINING RING	1
70	0155366-00	LOAD GEAR	1
71	0159163-00	RETAINING RING	1
72	0155192-00	GEAR COVER	1
73	0156924-00	CHAIN END PIN	1
74	0655765-00	SOCKET HEAD SCREW	3
75	0151283-00	BEARING	1
76	0526154-00	INTERMEDIATE GEAR AND PINION	1
77	0151278-00	BEARING	1
78	0146462-00	GEAR SUPPORT BOLT	2
79	0150370-00	SHAKEPROOF WASHER	2
80	0152018-00	GEAR SUPPORT	1
81	0033655-00	LOAD CHAIN (28'6" Standard)	1
	0033656-00	CADIUM PLATED LOAD CHAIN (Specify Length)	1
82	0655843-00	SOCKET HEAD SCREW	1
83	0150365-00	SHAKEPROOF WASHER	1
84	0164980-00	STRIPPER	1
85	0154196-00	COTTER PIN	1
86	0161097-00	PLAIN WASHER	1
87	0164964-00	LOAD CHAIN GUIDE	1
88	0512370-00	CHAIN ANCHOR BOLT	1
89	0512370-00	ANCHOR BOLT	2
90	0512226-00	BOTTOM BLOCK HALF	2
91	0506511-00	SHEAVE PIN	1
92	0513891-00	BOTTOM SHEAVE BEARING	1

When Replacement Parts Are Needed, Order Only YALE® Factory Engineered Parts

LOAD KING TROLLEY HOIST
8 TON PARTS LISTING



ITEM NUMBER	PART NUMBER	DESCRIPTION	QTY.
93	0505401-00	BOTTOM BLOCK SHEAVE	1
94	0150155-00	STOVER LOCK NUT	1
95	0150266-00	LOCKWASHER	2
96	0149372-00	HEX NUT	2
97	0334120-00	BOTTOM HOOK BEARING	1
98*	6494270-00	HOOK & NUT ASSY (Inc. 97,99,100,101, &113)	1
99	***	RIVET	1
100	***	SPRING	1
101	***	LATCH	1
102	0513771-00	NAMEPLATE	1
103	0149894-00	NAMEPLATE RIVETS	2
104	0579612-00	STOP (Not Shown)	1
105	0146496-00	BOLT	1
106	0150296-00	LOCKWASHER	1
107	0149715-00	HEX NUT	1
108	0579612-00	STOP (Not Shown)	1
109	0350275-00	HEX HEAD BOLT (Not Shown)	1
110	0401009-00	LOCKWASHER (Not Shown)	1
111	0379031-00	HEX NUT (Not Shown)	1
112	6439323-01	WARNING DECAL	1
113	0592974-00	HOOK NUT ROLL PIN (NOT SHOWN)	1

* Total required for unit (3)

** As required

*** Supplied in a kit only, number 0669406-00

* For Bronze Spark Resistant Bottom Hook and Nut refer to unit marking on hoist when ordering parts.

FOR SAFETY LUGS, TRACK CLAMPS, EXTENDED HANDWHEEL, CHAIN CONTAINERS, PATENT TRACK TROLLEY AND BULLARD BURNHAM HOOKS REFER TO UNIT MARKING WHEN ORDERING PARTS.

When Replacement Parts Are Needed, Order Only YALE® Factory Engineered Parts

LOAD KING TROLLEY HOIST

LOAD KING TROLLEY HOIST
10 TON TROLLEY PARTS

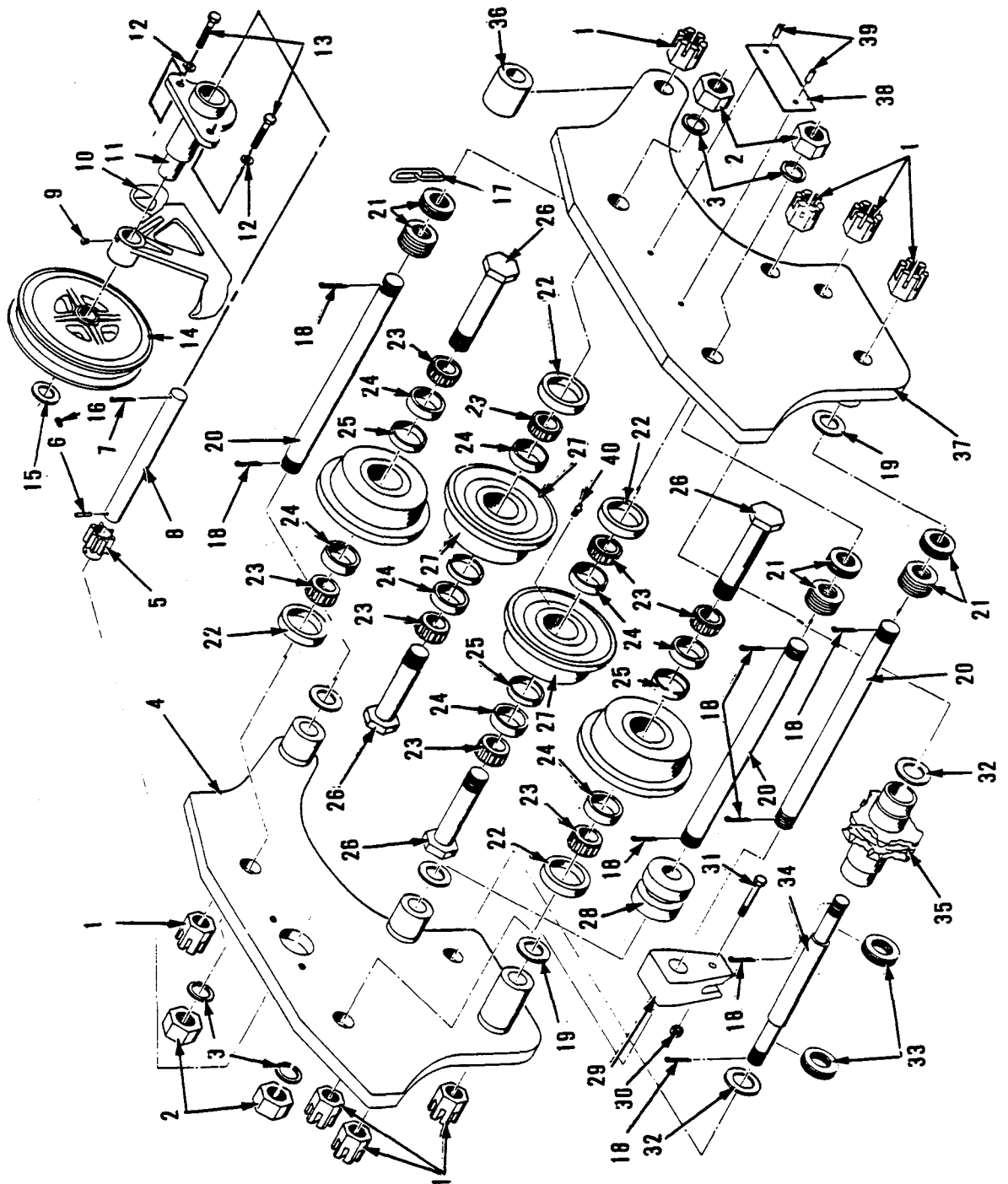


FIGURE 15. 10 TON LOAD KING TROLLEY HOIST. TROLLEY PARTS

When Replacement Parts Are Needed, Order Only YALE® Factory Engineered Parts

REPAIR PARTS

LOAD KING TROLLEY HOIST
10 TON PARTS LISTING

ITEM NUMBER	PART NUMBER	DESCRIPTION	QTY.
1	0106722-00	SLOTTED NUT	8
2	0149719-00	HEX NUT	4
3	0150300-00	LOCKWASHER	4
4	0589689-00	TROLLEY SIDE PLATE (Geared)	1
	0589689-00	TROLLEY SIDE PLATE (Plain)	1
5	0589690-00	TROLLEY WHEEL PINION	1
6	0157393-00	DRIVE LOCK PIN	1
7	0154214-00	COTTER PIN	1
8	0589693-00	PINION SHAFT	1
9	0182552-00	BALL VALVE OIL HOLE COVER	2
10	0591410-00	HAND CHAIN GUIDE	1
11	0591414-00	HANDWHEEL SUPPORT BRACKET	1
12	0150266-00	LOCKWASHER	2
13	0146423-00	HEX BOLT	2
14	0535795-00	HANDWHEEL	1
15	0250664-00	WASHER	1
16	0388010-00	SET SCREW	1
17	0033730-00	HAND CHAIN (14 Foot Endless)	1
	5024471-81	ALUMINUM HAND CHAIN (Specify Length)	1
	0033731-00	CADMIUM PLATED HAND CHAIN (Specify Length)	1
18	0154219-00	COTTER PIN	8
19	0161201-00	WASHER	2
20	0589665-00	SUSPENSION PIN	3
21	0236282-00	ADJUSTING WASHERS	46
22	0236024-00	TROLLEY WHEEL SPACER	4
23	0646671-00	CONE	8
24	0646670-00	CUP	8
25	0646668-00	BEARING SPACER	4
26	0589696-00	AXLE	4
27	0646672-00	TROLLEY WHEEL (Plain)	2
	0646673-00	TROLLEY WHEEL (Geared)	2
	6404364-00	BRNZ TROLLEY WHEEL (Plain Trolley)	4
	6404364-00	BRNZ TROLLEY WHEEL (Geared Trolley Plain Side)	2
	6404374-00	BRNZ TROLLEY WHEEL (Geared Side)	2
28	0602395-00	HAND CHAIN GUIDE AND SPACER	1
29	0591417-00	CHAIN ANCHOR	1
30	0150155-00	NUT	1
31	0512370-00	BOLT	1
32	0535819-00	ADJUSTING WASHER	2
33	0535819-00	ADJUSTING WASHER	12
34	0597670-00	IDLER SHEAVE SHAFT	1
35	0603345-00	IDLER SHEAVE ASSEMBLY	1
36	0588130-00	SPACER	1
37	0589688-00	TROLLEY SIDE PLATE (Plain)	1
38	0513771-00	NAMEPLATE	1
39	0149894-00	NAMEPLATE DRIVE SCREWS	2
40	0187548-00	GREASE FITTING	4
41	0111948-00	SHIM	.

When Replacement Parts Are Needed, Order Only YALE® Factory Engineered Parts



LOAD KING TROLLEY HOIST
10 TON PARTS LISTING

ITEM NUMBER	PART NUMBER	DESCRIPTION	QTY.
42	0646666-00	DUST GUARD	4
43	0646667-00	DUST GUARD	4
44	0127232-00	FRICTION PLATE	1
45	6484551-00	BRAKE DISC	1
46	0158079-00	RATCHET DISC	1
47	0154042-00	OILITE DISC	1
48	0159671-00	SPRING WASHER	1
49	0165102-00	HANDWHEEL	1
50	0161405-00	CHECKWASHER	1
51	0154200-00	COTTER PIN	1
52	0149808-00	SLOTTED NUT	1
53	0033730-00	HAND CHAIN (14 Foot Endless)	1
	5024471-81	ALUMINUM HAND CHAIN (Specify Length)	1
	0033731-00	CADMIUM PLATED HAND CHAIN (Specify Length)	1
54	0514089-00	HAND CHAIN GUIDE AND COVER	1
55	0150321-00	LOCKWASHER	6
56	0655764-00	SOCKET HEAD SCREW	3
57	0159148-00	RETAINING RING	3
58	0156405-00	RING PAWL	1
59	0159622-00	RING PAWL SPRING	3
60	0159799-00	RING PAWL STUD	3
61	0151277-00	BALL BEARING	2
62	0150323-00	LOCKWASHER	3
63	0573889-00	SUSPENSION FRAME	1
64	0151279-00	BALL BEARING	1
65	0182571-00	RATCHET LEVER PLUG	2
66	0161946-00	BALL BEARING SPACER	1
67	0165096-00	LOAD SHEAVE	1
68	0151281-00	BALL BEARING	1
68A	6400469-20	RETAINING RING	1
69	0155366-00	LOAD GEAR	1
70	0159163-00	RETAINING RING	1
70A	0155192-00	GEAR COVER	1
71	0150368-00	SHAKEPROOF WASHER	2
72	6412041-00	SOCKET HEAD CAP SCREW	2
73	0526155-00	DRIVING PINION	1
74	0655765-00	SOCKET HEAD SCREW	3
75	0151283-00	BALL BEARNG	1
76	0526154-00	INTERMEDIATE GEAR AND PINION	1
77	0151278-00	BALL BEARING	1
78	0146462-00	GEAR SUPPORT BOLT	2
79	0150370-00	LOCKWASHER	2
80	0152018-00	GEAR SUPPORT	1
81	0033655-00	LOAD CHAIN (37 Feet 6 Inches)	1
	5029961-81	STAINLESS STEEL LOAD CHAIN (Specify Length)	1
	0033656-00	CADIUM PLATED LOAD CHAIN (Specify Length)	1
82	0655843-00	SOCKET HEAD SCREW	1
83	0150365-00	SHAKEPROOF WASHER	1
84	0164980-00	STRIPPER	1
85	0154196-00	COTTER PIN	1

When Replacement Parts Are Needed, Order Only YALE * Factory Engineered Parts



LOAD KING TROLLEY HOIST
10 TON PARTS LISTING

ITEM NUMBER	PART NUMBER	DESCRIPTION	QTY.
86	0161097-00	PLAIN WASHER	1
87	0164964-00	LOAD CHAIN GUIDE	1
88	0156924-00	CHAIN END PIN	1
89	0150155-00	STOVER LOCK NUT	4
90	0512299-00	BOTTOM BLOCK HALF	2
91	0513891-00	SHEAVE BEARING	2
92	0505401-00	BOTTOM BLOCK SHEAVE	2
93	0506511-00	BOTTOM SHEAVE PIN	2
94	0146431-00	HEX BOLT	4
95***	6494290-00	HOOK & NUT ASSY (INC. 96,97,98,99 & 101)	1
96	0513892-00	BOTTOM HOOK BEARING	1
97	**	RIVET	1
98	**	SPRING	1
99	**	LATCH	1
100	6439323-01	WARNING DECAL	1
101	0594798-00	HOOK NUT ROLL PIN (NOT SHOWN)	1

* As Required

** Supplied as a kit only, number 0669407-00

*** For Bronze Spark Resistant Bottom Hook and Nut refer to unit marking on hoist when ordering parts.

FOR SAFETY LUGS, TRACK CLAMPS, EXTENDED HANDWHEEL. CHAIN CONTAINERS, PATEL TRACK TROLLEY AND BULLARD BURNHAM HOOKS REFER TO UNIT MARKING WHEN ORDERING PARTS.

When Replacement Parts Are Needed, Order Only YALE® Factory Engineered Parts



LOAD KING TROLLEY HOIST
12 TON TROLLEY PARTS

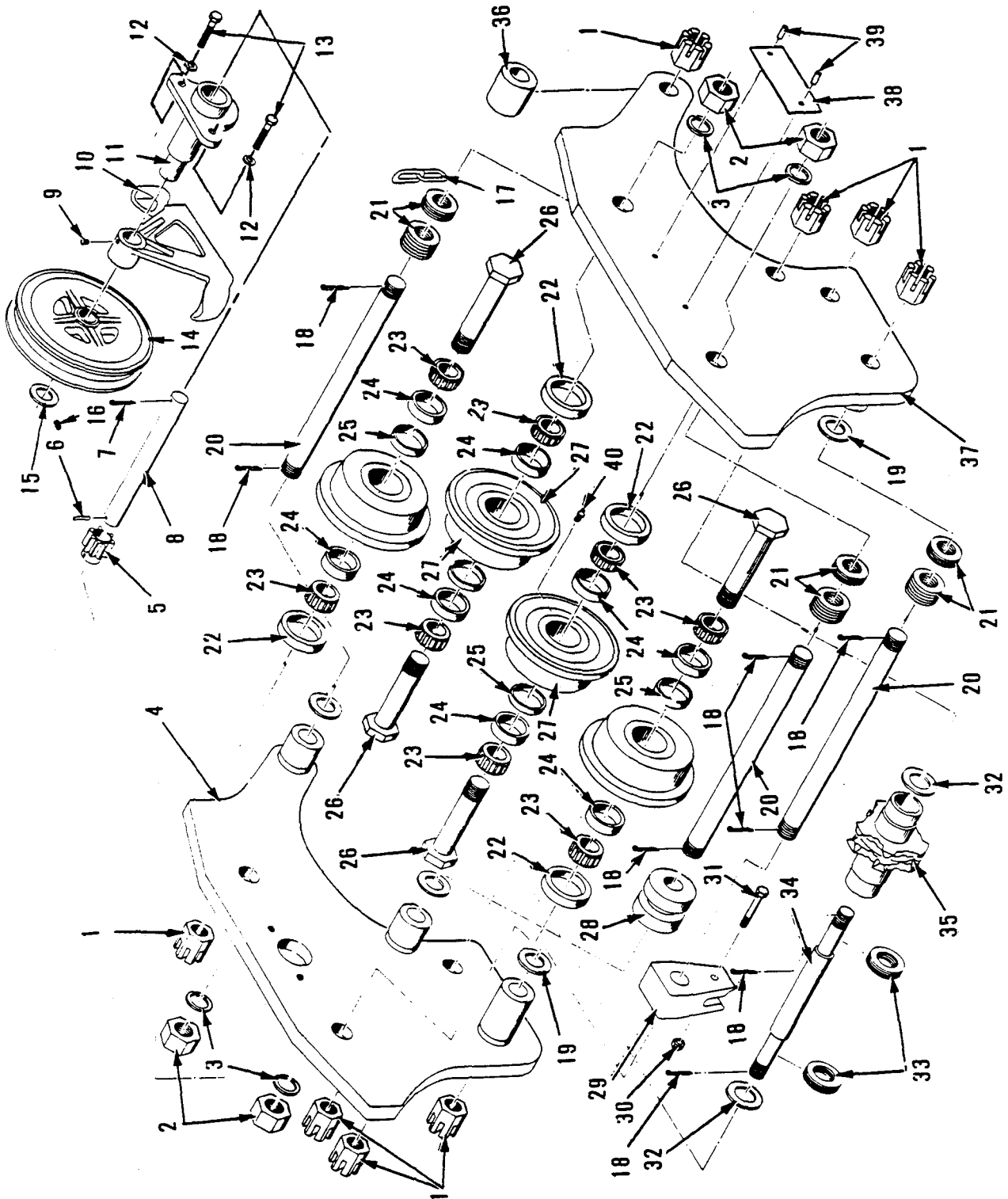


FIGURE 17. 12 TON LOAD KING TROLLEY HOIST. TROLLEY PARTS

When Replacement Parts Are Needed, Order Only YALE® Factory Engineered Parts

REPAIR PARTS

LOAD KING TROLLEY HOIST
12 TON PARTS LISTING

ITEM NUMBER	PART NUMBER	DESCRIPTION	QTY.
1	0106722-00	SLOTTED NUT	8
2	0149719-00	HEX NUT	4
3	0150300-00	LOCKWASHER	4
4	0589689-00	TROLLEY SIDE PLATE (Plain)	1
	0589689-00	TROLLEY SIDE PLATE (Geared)	1
5	0589690-00	TROLLEY WHEEL PINION	1
6	0157393-00	DRIVE LOCK PIN	1
7	0154214-00	COTTER PIN	1
8	0589693-00	PINION SHAFT	1
9	0128252-00	BALL VALVE OIL HOLE COVER	2
10	0591410-00	HAND CHAIN GUIDE	1
11	0591414-00	HANDWHEEL SUPPORT BRACKET	1
12	0150266-00	LOCKWASHER	2
13	0146423-00	HEX BOLT	2
14	0535795-00	HANDWHEEL	1
15	0250664-00	WASHER	1
16	0388010-00	SET SCREW	1
17	0033730-00	HAND CHAIN (14 Foot Endless)	1
	5024471-00	ALUMINUM HAND CHAIN (Specify Length)	1
	0033731-00	CADMIUM PLATED HAND CHAIN (Specify Length)	1
18	0154219-00	COTTER PIN	8
19	0161201-00	WASHER	2
20	0589665-00	SUSPENSION PIN	3
21	0236282-00	ADJUSTMENT WASHER	46
22	0236024-00	TROLLEY WHEEL SPACER	4
23	0646671-00	CONE	8
24	0646670-00	CUP	8
25	0646668-00	BEARING SPACER	4
26	0589696-00	AXLE	4
27	0646672-00	TROLLEY WHEEL (Plain)	2
	0646673-00	TROLLEY WHEEL (Geared)	2
	6404364-00	BRONZE TROLLEY WHEEL (Plain Trolley)	4
	6404364-00	BRONZE TROLLEY WHEEL (Geared Trolley Plain Side)	2
	6404374-00	BRONZE TROLLEY WHEEL (Geared Side)	2
28	0602395-00	HAND CHAIN GUIDE AND SPACER	1
29	0591417-00	CHAIN ANCHOR	1
30	0150155-00	NUT	1
31	0512370-00	BOLT	1
32	0535819-00	ADJUSTMENT WASHER	2
33	0535819-00	ADJUSTMENT WASHER	12
34	0597670-00	IDLER SHEAVE SHAFT	1
35	0603345-00	IDLER SHEAVE ASSEMBLY	1
36	0588130-00	SPACER	1
37	0589688-00	TROLLEY SIDE PLATE (Plain)	1
38	0513771-00	NAMEPLATE	1
39	0149894-00	NAMEPLATE DRIVE SCREW	2
40	0187548-00	GREASE FITTING	4
41	0111948-00	SHIM (Not Shown)	*

When Replacement Parts Are Needed, Order Only YALE® Factory Engineered Parts



LOAD KING TROLLEY HOIST
12 TON PARTS LISTING

ITEM NUMBER	PART NUMBER	DESCRIPTION	QTY.
42	0646666-00	DUST GUARD (Not Shown)	4
43	0646667-00	DUST GUARD (Not Shown)	4
44	0127232-00	FRICTION PLATE	1
45	6484551-00	BRAKE DISC	1
46	0158079-00	RATCHET DISC	1
47	0154042-00	OILITE DISC	1
48	0159671-00	SPRING WASHER	1
49	0165102-00	HANDWHEEL	1
50	0161405-00	CHECKWASHER	1
51	0154200-00	COTTER PIN	1
52	0033730-00	HAND CHAIN (14 Foot Endless)	1
	5024471-81	ALUMINUM HAND CHAIN (Specify Length)	1
	0033731-00	CADIUM PLATED HAND CHAIN (Specify Length)	1
53	0149808-00	SLOTTED NUT	1
54	0514090-00	HAND CHAIN GUIDE AND COVER	1
55	0150321-00	LOCKWASHER	6
56	0655764-00	SOCKET HEAD SCREW	3
57	0159148-00	RETAINING RING	3
58	0156405-00	RING PAWL	1
59	0159622-00	RING PAWL SPRING	3
60	0151277-00	BALL BEARING	2
61	0159799-00	RING PAWL STUD	3
62	0150323-00	LOCKWASHER	3
63	0573889-00	SUSPENSION FRAME	1
64	0151279-00	BALL BEARING	1
65	0182571-00	RATCHET LEVER PLUG	2
66	0161946-00	BEARING SPACER	1
67	0165096-00	LOAD SHEAVE	1
68	0151281-00	BALL BEARING	1
69	6400469-20	RETAINING RING	1
70	0150368-00	SHAKEPROOF WASHER	2
71	6412041-00	SOCKET HEAD SCREW	2
72	0526155-00	DRIVING PINION	1
73	0155366-00	LOAD GEAR	1
74	0159163-00	RETAINING RING	1
75	0155192-00	GEAR COVER	1
76	0655765-00	SOCKET HEAD SCREW	3
77	0151283-00	BALL BEARING	1
78	0526154-00	INTERMEDIATE GEAR AND PINION	1
79	0151278-00	BALL BEARING	1
80	0146462-00	GEAR SUPPORT BOLT	2
81	0150370-00	LOCKWASHER	2
82	0152018-00	GEAR SUPPORT	1
83	0033655-00	LOAD CHAIN (37 Feet 6 Inches)	1
	0033656-00	CADIUM PLATED LOAD CHAIN (Specify Length)	1
84	0655843-00	SOCKET HEAD SCREW	1
85	0150365-00	LOCKWASHER	1
86	0164980-00	STRIPPER	1
87	0154196-00	COTTER PIN	1
88	0161097-00	PLAIN WASHER	1
89	0164964-00	LOAD CHAIN GUIDE	1
90	0156924-00	CHAIN END PIN	1

When Replacement Parts Are Needed, Order Only YALE® Factory Engineered Parts



LOAD KING TROLLEY HOIST
12 TON PARTS LISTING

ITEM NUMBER	PART NUMBER	DESCRIPTION	QTY.
91	0150155-00	STOVER LOCK NUT	4
92	0506296-00	BOTTOM BLOCK HALF	2
93	0513891-00	SHEAVE BEARING	2
94	0505401-00	BOTTOM BLOCK SHEAVE	2
95	0506511-00	BOTTOM SHEAVE PIN	2
96	0146431-00	HEX BOLT	4
97***	6494290-00	HOOK & NUT ASSY (Incl. 98,99,100,101,101,103)	1
98	0513892-00	BOTTOM HOOK BEARING	1
99	**	RIVET	1
100	**	SPRING	1
101	**	LATCH	1
102	6439323-01	WARNING DECAL	1
103	0594798-00	HOOK NUT ROLL PIN (NOT SHOWN)	1

* As Required

** Supplied as a kit only, number 0669407-00

*** For Bronze Spark Resistant Bottom Hook and Nut refer to unit marking on hoist when ordering parts.

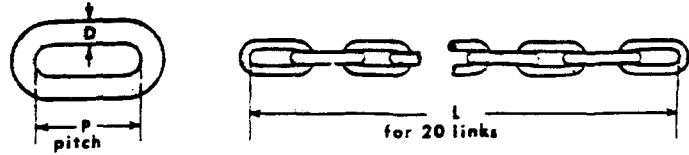
FOR SAFETY LUGS, TRACK CLAMPS, EXTENDED HANDWHEEL, CHAIN CONTAINERS, PATENT TRACK TROLLEY AND BULLARD BURNHAM HOOKS REFER TO UNIT MARKING WHEN ORDERING PARTS.

When Replacement Parts Are Needed, Order ONLY Yale® Factory Engineered Parts



LUBRICATE AS PER PAGES 3 AND 6
ALWAYS USE SLINGS, DO NOT WRAP LOAD CHAIN AROUND LOAD.

NEW LOAD AND HAND CHAIN WILL
MEASURE THESE DIMENSIONS:



"D" - Inches	1/4" Hand	1/4" Load	5/16"	3/8"	7/16"
"P" - Inches	1.046	.758	.905	1.125	1.312
"L" - Inches	20.92	15.00	18.10	22.50	25.24
Capacity Used On	All	1/2, 1, 1 1/2		4, 5, 6 8, 10, 12	

YALE STEEL HOOKS



YALE HOOKS ARE DROP FORGED TO OUR SPECIFICATIONS FROM A SPECIAL STEEL THAT ALLOWS THEM, IF SEVERELY OVERLOADED TO OPEN SLOWLY WITHOUT FRACTURE, GIVING VISIBLE WARNING OF DANGER. THE "SAFETY VALVE" OF EACH YALE CHAIN HOIST - IN THE ABOVE VIEWS OF A ONE TON YALE HOOK, NOS. 1,2,3 AND 4 SHOW THE EFFECT OF INCREASING LOADS NO. 4 BEING OVERLOADED NEARLY 3 1/2 TIMES THE RATED CAPACITY. NO. 5 SHOWS HOW IT COMPLETELY OPENED WITHOUT FRACTURE.

OPENED HOOKS AND STRETCHED LOAD CHAIN ARE THE RESULT OF ABUSE AND NEGLIGENCE. THE FOLLOWING TABLE WILL ASSIST IN CHECKING UP YALE HOOKS.

DIMENSIONS IN INCHES				
CAP TONS	E NORMAL	E MAX	E NORMAL	E MAX
1/2	1.125	1.500	1.000	1.375
1	1.312	1.750	1.125	1.562
1 1/2	1.500	2.000	1.312	1.812
2 & 3	1.500	2.000	1.312	1.812
4	1.587	2.250	1.468	2.062
5 & 6	2.082	2.750	1.937	2.625
8	2.437	3.250	2.250	3.062
10 & 12	2.750	3.587	2.562	3.500

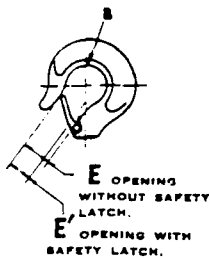


FIGURE 19. CHAIN DIMENSIONS AND HOOK OPENINGS

POWERED HOIST INSPECTION CHECK LIST

SEE PREVENTIVE MAINTENANCE SECTION OF INSTRUCTION MANUAL FOR DETAILS.

CHECK ONLY COMPONENTS APPLICABLE FOR SPECIFIC EQUIPMENT AND INSPECTION TYPE.

HOIST MODEL _____

HOIST S/N _____

HOOKS	YES	NO	CABLE	YES	NO	CHAINS	YES	NO
HARDWARE LOOSE	<input type="checkbox"/>	<input type="checkbox"/>	BROKEN WIRES AT ENDS	<input type="checkbox"/>	<input type="checkbox"/>	BINDING	<input type="checkbox"/>	<input type="checkbox"/>
CRACKS	<input type="checkbox"/>	<input type="checkbox"/>	BROKEN WIRES EXCESSIVE	<input type="checkbox"/>	<input type="checkbox"/>	CRACKED	<input type="checkbox"/>	<input type="checkbox"/>
EXCESSIVE WEAR	<input type="checkbox"/>	<input type="checkbox"/>	EXCESSIVE WEAR	<input type="checkbox"/>	<input type="checkbox"/>	TWISTED	<input type="checkbox"/>	<input type="checkbox"/>
BENT	<input type="checkbox"/>	<input type="checkbox"/>	KINKED OR DISTORTED	<input type="checkbox"/>	<input type="checkbox"/>	DISTORTED	<input type="checkbox"/>	<input type="checkbox"/>
SPREADING	<input type="checkbox"/>	<input type="checkbox"/>	CORROSION	<input type="checkbox"/>	<input type="checkbox"/>	CORRODED	<input type="checkbox"/>	<input type="checkbox"/>
FREELY ROTATE	<input type="checkbox"/>	<input type="checkbox"/>	HEAT DAMAGED	<input type="checkbox"/>	<input type="checkbox"/>	EXCESSIVE WEAR	<input type="checkbox"/>	<input type="checkbox"/>
LATCH DAMAGED	<input type="checkbox"/>	<input type="checkbox"/>				WORN CHAIN GUIDES	<input type="checkbox"/>	<input type="checkbox"/>
						POCKET WHEELS WORN	<input type="checkbox"/>	<input type="checkbox"/>
BRAKES			WIRING			DRUM & SHEAVES		
MOTOR BRAKE WORN OR NOT OPERATING	<input type="checkbox"/>	<input type="checkbox"/>	LOOSE CONNECTIONS	<input type="checkbox"/>	<input type="checkbox"/>	WORN EXCESSIVELY	<input type="checkbox"/>	<input type="checkbox"/>
EXCESSIVE LOADBRAKE DRIFT OR BLACKLASH	<input type="checkbox"/>	<input type="checkbox"/>	FRAYED	<input type="checkbox"/>	<input type="checkbox"/>	CRACKED OR SCORED	<input type="checkbox"/>	<input type="checkbox"/>
EXCESSIVE DISC WEAR	<input type="checkbox"/>	<input type="checkbox"/>	DAMAGED	<input type="checkbox"/>	<input type="checkbox"/>			
			PROPER GROUNDING	<input type="checkbox"/>	<input type="checkbox"/>			
LIMIT SWITCHES			LOAD LIMITING DEVICE			COLLECTORS		
OPERATING PROPERLY	<input type="checkbox"/>	<input type="checkbox"/>	OPERATING PROPERLY	<input type="checkbox"/>	<input type="checkbox"/>	BINDING	<input type="checkbox"/>	<input type="checkbox"/>
						EXCESSIVE WEAR	<input type="checkbox"/>	<input type="checkbox"/>
HOUSING			OPERATION CONTROLS			LUBRICATION		
DISTORTED	<input type="checkbox"/>	<input type="checkbox"/>	CONTACTOR PITTING	<input type="checkbox"/>	<input type="checkbox"/>	ALL POINTS LUBRICATED AS GIVEN IN LUB CHART	<input type="checkbox"/>	<input type="checkbox"/>
CRACKS	<input type="checkbox"/>	<input type="checkbox"/>	OPERATING PROPERLY	<input type="checkbox"/>	<input type="checkbox"/>	OIL DARK OR LOW	<input type="checkbox"/>	<input type="checkbox"/>
LOOSE HARDWARE	<input type="checkbox"/>	<input type="checkbox"/>	DAMAGED PUSH BUTTON	<input type="checkbox"/>	<input type="checkbox"/>	OIL LEAKS	<input type="checkbox"/>	<input type="checkbox"/>
BEARING NOISE	<input type="checkbox"/>	<input type="checkbox"/>	HOUSING	<input type="checkbox"/>	<input type="checkbox"/>			
SUPPORTING STRUCTURE			AIR SYSTEM			WARNING LABELS		
CONTINUED ABILITY TO SUPPORT IMPOSED LOADS	<input type="checkbox"/>	<input type="checkbox"/>	LEAKING	<input type="checkbox"/>	<input type="checkbox"/>	MISSING	<input type="checkbox"/>	<input type="checkbox"/>
WORN OR DISTORTED TROLLEY PARTS	<input type="checkbox"/>	<input type="checkbox"/>	LOOSE CONNECTIONS	<input type="checkbox"/>	<input type="checkbox"/>	ILLEGIBLE	<input type="checkbox"/>	<input type="checkbox"/>
			BROKEN CONTROL PENDANT	<input type="checkbox"/>	<input type="checkbox"/>			

NOTE: IF ANY (☐) IS CHECKED DO NOT OPERATE THE HOIST UNTIL REPAIRS HAVE BEEN MADE.

REMARKS AND REPAIRS MADE _____

SIGNATURE _____ DATE _____ CLOCK NUMBER _____

POWERED HOIST INSPECTION CHECK LIST

SEE PREVENTIVE MAINTENANCE SECTION OF INSTRUCTION MANUAL FOR DETAILS.

CHECK ONLY COMPONENTS APPLICABLE FOR SPECIFIC EQUIPMENT AND INSPECTION TYPE.

HOIST MODEL _____

HOIST S/N _____

HOOKS	YES	NO	CABLE	YES	NO	CHAINS	YES	NO
HARDWARE LOOSE	<input type="checkbox"/>	<input type="checkbox"/>	BROKEN WIRES AT ENDS	<input type="checkbox"/>	<input type="checkbox"/>	BINDING	<input type="checkbox"/>	<input type="checkbox"/>
CRACKS	<input type="checkbox"/>	<input type="checkbox"/>	BROKEN WIRES EXCESSIVE	<input type="checkbox"/>	<input type="checkbox"/>	CRACKED	<input type="checkbox"/>	<input type="checkbox"/>
EXCESSIVE WEAR	<input type="checkbox"/>	<input type="checkbox"/>	EXCESSIVE WEAR	<input type="checkbox"/>	<input type="checkbox"/>	TWISTED	<input type="checkbox"/>	<input type="checkbox"/>
BENT	<input type="checkbox"/>	<input type="checkbox"/>	KINKED OR DISTORTED	<input type="checkbox"/>	<input type="checkbox"/>	DISTORTED	<input type="checkbox"/>	<input type="checkbox"/>
SPREADING	<input type="checkbox"/>	<input type="checkbox"/>	CORROSION	<input type="checkbox"/>	<input type="checkbox"/>	CORRODED	<input type="checkbox"/>	<input type="checkbox"/>
FREELY ROTATE	<input type="checkbox"/>	<input type="checkbox"/>	HEAT DAMAGED	<input type="checkbox"/>	<input type="checkbox"/>	EXCESSIVE WEAR	<input type="checkbox"/>	<input type="checkbox"/>
LATCH DAMAGED	<input type="checkbox"/>	<input type="checkbox"/>				WORN CHAIN GUIDES	<input type="checkbox"/>	<input type="checkbox"/>
						POCKET WHEELS WORN	<input type="checkbox"/>	<input type="checkbox"/>
BRAKES			WIRING			DRUM & SHEAVES		
MOTOR BRAKE WORN OR NOT OPERATING	<input type="checkbox"/>	<input type="checkbox"/>	LOOSE CONNECTIONS	<input type="checkbox"/>	<input type="checkbox"/>	WORN EXCESSIVELY	<input type="checkbox"/>	<input type="checkbox"/>
EXCESSIVE LOADBRAKE DRIFT OR BLACKLASH	<input type="checkbox"/>	<input type="checkbox"/>	FRAYED	<input type="checkbox"/>	<input type="checkbox"/>	CRACKED OR SCORED	<input type="checkbox"/>	<input type="checkbox"/>
EXCESSIVE DISC WEAR	<input type="checkbox"/>	<input type="checkbox"/>	DAMAGED	<input type="checkbox"/>	<input type="checkbox"/>			
			PROPER GROUNDING	<input type="checkbox"/>	<input type="checkbox"/>			
LIMIT SWITCHES			LOAD LIMITING DEVICE			COLLECTORS		
OPERATING PROPERLY	<input type="checkbox"/>	<input type="checkbox"/>	OPERATING PROPERLY	<input type="checkbox"/>	<input type="checkbox"/>	BINDING	<input type="checkbox"/>	<input type="checkbox"/>
						EXCESSIVE WEAR	<input type="checkbox"/>	<input type="checkbox"/>
HOUSING			OPERATION CONTROLS			LUBRICATION		
DISTORTED	<input type="checkbox"/>	<input type="checkbox"/>	CONTACTOR PITTING	<input type="checkbox"/>	<input type="checkbox"/>	ALL POINTS LUBRICATED AS GIVEN IN LUB CHART	<input type="checkbox"/>	<input type="checkbox"/>
CRACKS	<input type="checkbox"/>	<input type="checkbox"/>	OPERATING PROPERLY	<input type="checkbox"/>	<input type="checkbox"/>	OIL DARK OR LOW	<input type="checkbox"/>	<input type="checkbox"/>
LOOSE HARDWARE	<input type="checkbox"/>	<input type="checkbox"/>	DAMAGED PUSH BUTTON	<input type="checkbox"/>	<input type="checkbox"/>	OIL LEAKS	<input type="checkbox"/>	<input type="checkbox"/>
BEARING NOISE	<input type="checkbox"/>	<input type="checkbox"/>	HOUSING	<input type="checkbox"/>	<input type="checkbox"/>			
SUPPORTING STRUCTURE			AIR SYSTEM			WARNING LABELS		
CONTINUED ABILITY TO SUPPORT IMPOSED LOADS	<input type="checkbox"/>	<input type="checkbox"/>	LEAKING	<input type="checkbox"/>	<input type="checkbox"/>	MISSING	<input type="checkbox"/>	<input type="checkbox"/>
WORN OR DISTORTED TROLLEY PARTS	<input type="checkbox"/>	<input type="checkbox"/>	LOOSE CONNECTIONS	<input type="checkbox"/>	<input type="checkbox"/>	ILLEGIBLE	<input type="checkbox"/>	<input type="checkbox"/>
			BROKEN CONTROL PENDANT	<input type="checkbox"/>	<input type="checkbox"/>			

NOTE: IF ANY () IS CHECKED DO NOT OPERATE THE HOIST UNTIL REPAIRS HAVE BEEN MADE.

REMARKS AND REPAIRS MADE _____

SIGNATURE _____ DATE _____ CLOCK NUMBER _____

Yale[®]

HOISTS

WARRANTY

Every hoist is thoroughly inspected and tested prior to shipment from the factory. Should any problems develop, return the complete hoist prepaid to your nearest Yale Hoists Authorized Warranty Repair Station.

This warranty does not apply where: (1) deterioration is caused by normal wear, abuse, improper or inadequate power supply, eccentric or side loading, overloading, chemical or abrasive actions, improper maintenance or excessive heat; (2) problems resulted from repairs, modifications or

alterations made by persons other than factory or Yale Hoists personnel; (3) the hoist has been abused or damaged as a result of an accident; (4) repair parts or accessories other than those supplied by Yale Hoists are used on the hoist. Equipment and accessories not of the seller's manufacture are warranted only to the extent that they are warranted by the manufacturer. EXCEPT AS STATED HEREIN, YALE HOISTS MAKES NO OTHER WARRANTIES, EXPRESS OR IMPLIED, INCLUDING WARRANTIES OF MERCHANTABILITY AND FITNESS FOR A PARTICULAR PURPOSE.

Improvements:

Yale Hoists is constantly striving to improve its product. Changes in design and improvements will be made whenever manufacturer believes the efficiency of the product will be improved without incurring any obligation to incorporate such improvements in any products which have been shipped or are in service.

Important Notice:

Use of chain, wire rope or replacement parts other than as supplied as original equipment on Yale hoists may lead to dangerous operation. Accordingly, Yale Hoists cannot be responsible in such cases and our warranty will be voided.

For more information, write Yale Hoists, Forrest City, Arkansas 72335.

Yale[®] HOISTS
3105 N. Washington
P. O. Box 1000
Forrest City, Arkansas 72335
Customer Service (800) 999-6318
FAX (800) 766-0223