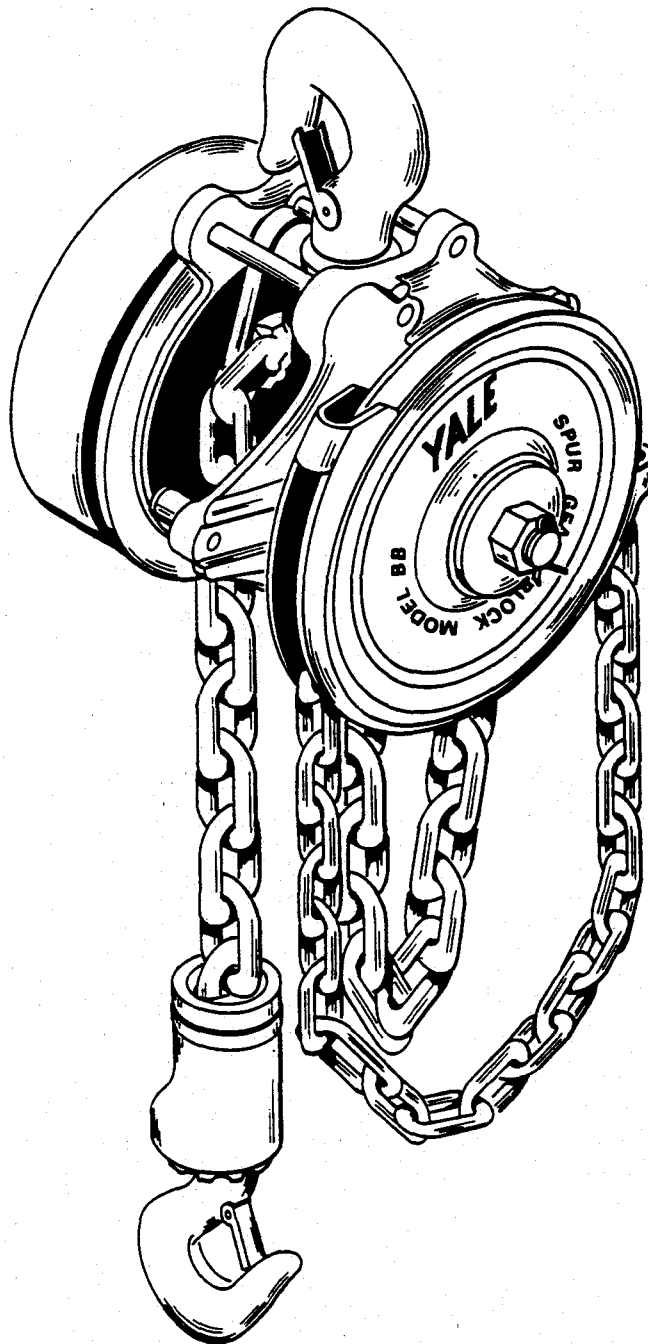


**BB AND BS SERIES
HAND HOISTS**

**Parts and Instruction
Manual**

Yale®





-TABLE OF CONTENTS-

	page
SAFE HOISTING PRACTICES.....	2
PREVENTIVE MAINTENANCE.....	3
Lubrication.....	3
Chain And Hook Dimensions.....	4
Lubrication Table.....	5
Directions For Applying Chain.....	6
Inspection.....	7
REPAIR PARTS.....	8
Recommended Spare Parts For 1 Year.....	8
1/4 Through 2 Ton Model BB.....	9
3 Ton Model BS.....	11
4 Ton Model BB.....	13
5 And 6 Ton Model BS.....	15
8 Ton Model BB.....	17
10 Ton Model BB.....	19
12 Ton Model BB.....	21
16 Ton Model BB.....	23
20 Ton Model BB.....	25
25 Ton Model BB.....	28
30 Ton Model BB.....	31
40 Ton Model BS.....	34
GENERAL INFORMATION.....	37
Directions For Applying Load Chain, 30 Ton Model BB.....	37
Directions For Applying Load Chain, 40 Ton Model BS.....	38
Lubrication Of Chain Sheaves.....	39
Inspection Record.....	40

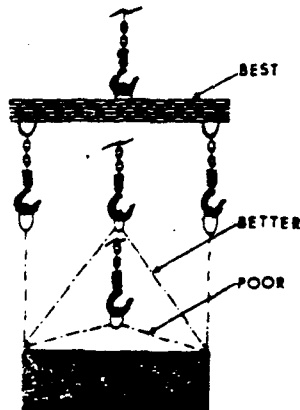
When Replacement Parts Are Needed, Order Only YALE[®] Factory Engineered Parts



SAFE HOISTING PRACTICES

Yale BB AND BS LINK CHAIN HOIST

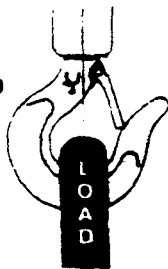
Physical safety is a primary factor in the design and manufacture of hand operated and electric hoists and trolleys of all types. But your own safety and that of your fellow workers can only be secured when overhead materials handling equipment is used, operated and maintained in accordance with all of the manufacturer's recommendations. Disregard for any of these recommendations constitutes poor safety practice and may endanger life and property. You and your fellow workers should become thoroughly familiar with the normal rules of practice regarding use, operation and maintenance of this type of equipment by obtaining and regularly consulting the manufacturer's literature on the subject. Any questions should be referred to your safety director or to qualified representatives of the manufacturer. The following basic rules are presented as a minimum guide to safe overhead materials handling practice:



CONSIDER THESE ANGLES WHEN LIFTING LOAD

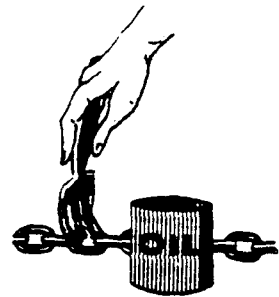


DO NOT OVERLOAD



SEAT LOAD CORRECTLY IN HOOK

1. DO NOT LOAD BEYOND THE RATED CAPACITY --- The immediate danger is a possible failure of load carrying parts but overloading might also start defects leading to future failure -- even at less than rated capacity
2. DO NOT USE ANY OVERHEAD MATERIALS HANDLING EQUIPMENT FOR HANDLING PERSONNEL, either separately or with a load
3. CONDUCT ADEQUATE PERIODIC VISUAL INSPECTIONS FOR SIGNS OF DAMAGE OR WEAR --- Pay particular attention to the cable or chain and hook. If the cable or chain shows signs of wear or damage or the hook is distorted or opened, call it to the attention of your safety engineer before further use
4. DO NOT USE HOISTING CABLE OR CHAIN AS A SUBSTITUTE FOR SLINGS --- Use slings only. Cable or chain slings should be of proper size and type for load handling -- never use slings showing any degree of physical damage
5. NEVER LEAVE AN UNATTENDED LOAD SUSPENDED IN THE AIR
6. STAND CLEAR OF ALL LOADS --- Never travel a load over the heads of other personnel and give ample warning of your intention and direction of travel
7. NEVER ATTEMPT TO MOTORIZE A HAND OPERATED HOIST OR TROLLEY.
8. NEVER TOUCH A WELDING ELECTRODE TO THE LOAD CHAIN or use the hoist as a ground during welding. Permanent damage to the load chain will result.



LUBRICATE AND INSPECT CHAIN PERIODICALLY



DO NOT FORCE HOOK



DO NOT KINK OR TWIST CHAIN

The safety laws for passenger elevators specify construction details that are not incorporated in Yale Industrial Hoists. We recommend that passenger elevator operation equipment be used that meets all state and national safety codes. Yale Industrial Products, Inc. will not accept responsibility for applications of Yale Hoists on passenger elevators.

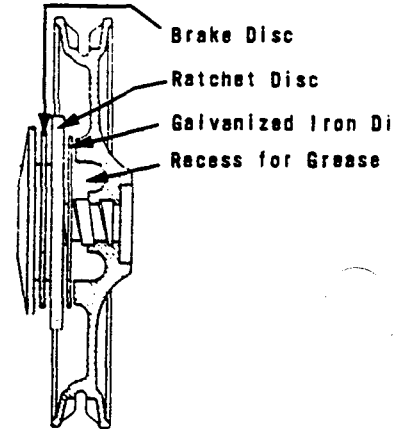
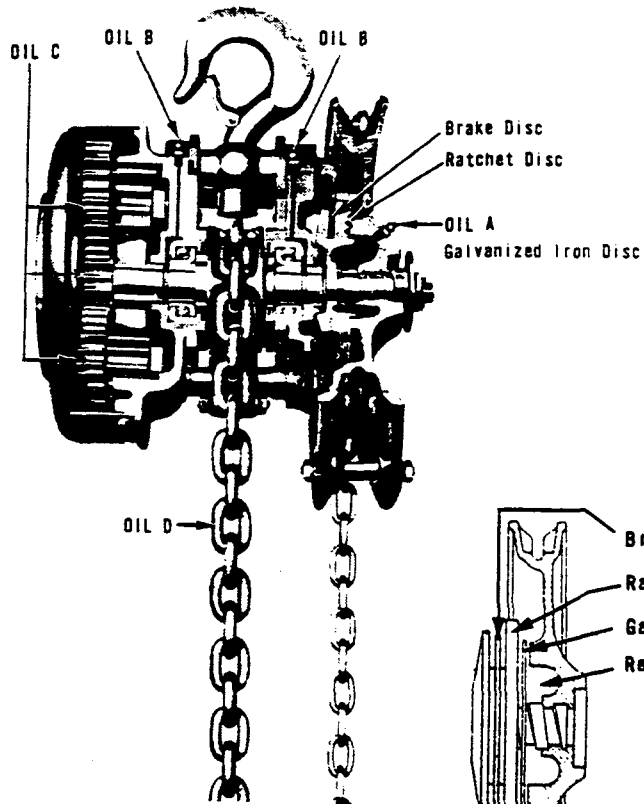
When Replacement Parts Are Needed, Order Only YALE[®] Factory Engineered Parts

CARE OF SPUR-GEARED CHAIN HOIST

LUBRICATION

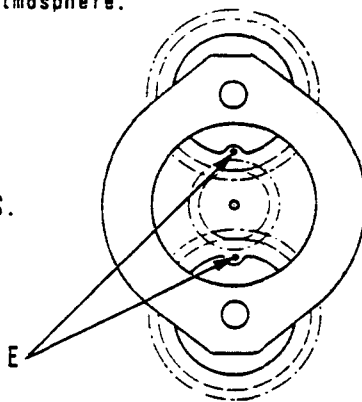
Keep the hoist well lubricated with oil and grease. There are 5 Alemite fittings in the Model BB and 7 Alemite fittings in the Model BS hoists for oil as follows:

- a. One for the lowering mechanism in hub of hand wheel.
- b. Two for the driving pinion and load sheave bearings in the ratchet case and internal gear.
- c. One in the end of each gear and pinion pin for the gears and pinions. Remove the gear cover to oil the gear and pinion pins and grease the gears.
- d. i. Apply heavy oil to load chain and load sheave, allow oil to run into inside bearing points of chain links. Grease load sheave.
 2. For working conditions which will only permit minimum lubrication, apply a few drops of machine oil between bearing points of chain links periodically, wiping the outside of the chain dry if necessary.
 3. Under working conditions which will not permit any lubrication due to possible damage from oil drip, the chain will wear rapidly. An oiled chain will last 15 to 20 times as long as a dry chain, even in a dusty and gritty atmosphere.



CAUTION

LOAD BRAKE OPERATES DRY.
DO NOT OIL LOAD BRAKE DISCS.



GEAR ASSEMBLY

In assembling the gear and pinions, note that the small holes 'E' in the side of each gear line up across the center of the driving pinion as shown in the sketch.

LOAD BRAKE ASSEMBLY AND LUBRICATION OF RELATED PARTS

Remove the handwheel, galvanized iron disc, ratchet disc and the fiber disc.

Apply cylinder oil to disc hub threads and grease the ratchet and galvanized iron discs and handwheel.

Pack recess in the disc hub and handwheel with grease.

Reassemble as shown in the above sketch.

1. The high efficiency of this hoist enables the operator to easily lift loads far beyond its rated capacity. Avoid overloading and consequent overstraining by using this hoist only to its rated capacity.
2. Unusual resistance will indicate overloading or the lack of oil; investigate the cause and avoid overstraining.
3. Keep hoist well lubricated with good oil at points indicated above.
4. Caution must be used in taking this hoist apart, especially in replacing the discs and gears. See sketches above.
5. Keep guides for hand chain wheel securely bolted.
6. To lower, snap the hand chain lightly and keep it spinning rapidly.
7. This hoist is good for continuous use on loads within its capacity if properly cared for as above. After the hoist has been used for a short time, the smoothness of lowering will be greatly improved.

When Replacement Parts Are Needed, Order Only YALE[®] Factory Engineered Parts

PREVENTIVE MAINTENANCE



CARE AND LUBRICATION OF YALE CHAIN HOISTS continued

The load chain should be lubricated as per instructions on page 5. Lubrication greatly increases the life of the chain and reduces to a minimum the wear on load sheave pockets. The load sheave pockets should also be greased occasionally.

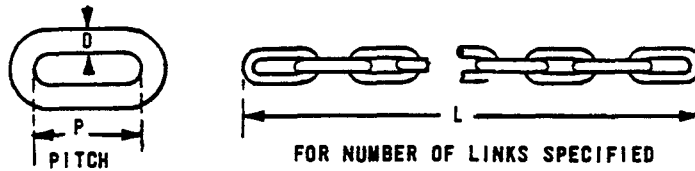
Periodical inspections and measurement of load chain and checking with table below will indicate when replacement is necessary. Measure links as shown by dimension L. If chain is worn or stretched longer than specified for given capacity of hoists then new chain should be obtained.

Worn or stretched chain or worn load sheave pockets can usually be detected by noise of chain links sliding into load sheave pockets.

When replacing worn-out load sheave, test load chain for worn or stretched links by running over a new load sheave and check with dimensions in table below. An old chain with worn or stretched links will soon wear out a new load sheave.

Always use slings, do not wrap load chain around load.

NEW LOAD AND HAND CHAIN WILL CHECK TO THESE DIMENSIONS:



D IN INCHES	1/4	9/32	3/8	7/16	1/2	9/16
P IN INCHES NORMINAL	1.07	.79	1.01	1.17	1.44	1.71
L IN INCHES NORMINAL	20.74	20.36	19.94	18.38	16.81	19.89
L IN INCHES MAXIMUM	21.24	29.86	20.42	18.82	17.20	20.36
NO OF LINKS IN L	19	25	19	15	11	11

CAPACITY HOIST USED ON

SPUR GEARED HAND	1/4-40					
SPUR GEARED LOAD		1/4-1/2	1	1 1/2	2, 4, 8, 30	3, 5, 6, 40

HOOK DIMENSIONS

Yale hooks are manufactured to open under excessive overload. Opened hooks and stretched load chain are the result of abuse and neglect. And if noted, the application should be reviewed to eliminate the abuse. Hooks should be replaced if openings are greater than listed.



NOTE: These Are Approximate Figures.

CAPACITY IN TONS	NORMAL OPENING A	MAXIMUM OPENING A
1/4	1.00	1.16
1/2	1.00	1.16
1	1.13	1.30
1 1/2	1.31	1.50
2	1.47	1.69
3	1.94	2.22
4	2.25	2.58
5	2.56	2.94
6	2.56	2.94
8	2.25	2.58
10	3.00	3.45
12	3.00	3.45
16	3.62	4.16
20	3.62	4.16
25	3.62	4.16
30	4.25	4.88
40	5.12	5.88

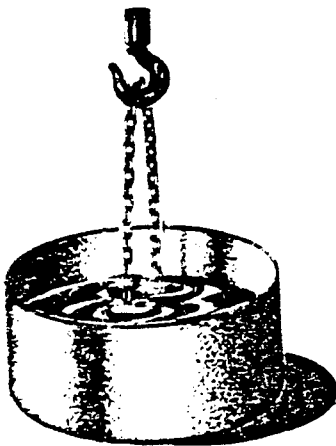
When Replacement Parts Are Needed, Order Only YALE[®] Factory Engineered Parts

LUBRICATION

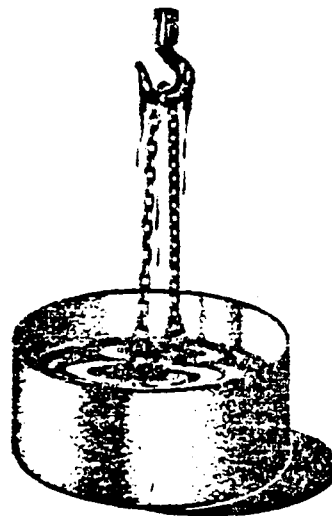
LUBRICANTS USED ON YALE SPUR GEARED HOISTS FOR MODEL BB AND BS

LETTER	LUBRICANTS WHERE USED	DESCRIPTION
A, B, C.	Alemite Fittings on handwheel, ratchet case, internal gear, gear and pinion pins, driving pinion.	Humble Nebula EP-1 Houghton Sta-Put 18H2 Atlantic 54
D	Load Chain Ratchet Disc Disc Hub Handwheel Load Sheave Pocket Gears	Humble Nebula EP-1 Houghton Sta-Put 580
	Lower Hook Bearings	Houghton Sta-Put 18H2 Atlantic 54

LUBRICATION OF CHAIN



Place load chain in container.
Then pour lubricating oil, com-
pletely covering chain.



Remove chain from the container
allowing excess oil to drain
back into container.

Apply lubricated chain to sheave
in hoist.



After chain is fastened to the
hoist, wipe off surface of chain
with a rag. This will make the
outer surface of the chain clean
and allow lubrication between
the links where the lubrication
is necessary.

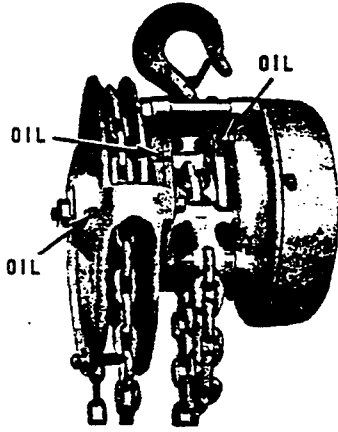
When Replacement Parts Are Needed, Order Only YALE® Factory Engineered Parts

PREVENTIVE MAINTENANCE



CHAIN ATTACHMENT

DIRECTIONS FOR APPLYING CHAIN TO YALE SPUR-GEARED HOIST



HAND CHAIN. Remove the following parts: Cotter pin and nut from threaded end of the driving pinion, checkwasher, hand wheel and through bolt and pipe separator between the two halves to the continuous hand chain guide.

Pull the hand chain through the hand chain guide far enough to clear the space required by the hand wheel. Replace the hand wheel and put the chain in its place in the hand wheel pockets. Then replace other parts in their original position, and thoroughly tighten all nuts.

LOAD CHAIN. Place the load chain on the load sheave with the first link in vertical position, or so it fits in the groove. Run chain over sheave and through the groove in the load chain guide. Fasten the first chain link to this guide by means of the small bolt placed thereon.

Lubrication is an important factor. If the bearings are allowed to run dry, friction and chain pull will be increased. Eventually, renewal of parts will be required. Repairing of chain hoists is made necessary through lack of oil more often than through ordinary lifting of loads. All Yale Chain Hoists have provisions for lubrication, and occasionally attending to this will insure satisfactory service.

Although protected against grit and dirt, the gear system of the spur-gear hoist needs occasional lubrication. More oil is needed when the hoist is exposed to intense heat in foundries, etc.

Oil holes with Alemite fittings are provided at points indicated by arrows on illustration above. Remove gear cover to oil the gear and pinion pins.

CAUTION

LOAD BRAKE OPERATES DRY. DO NOT OIL LOAD BRAKE DISCS.

HOW TO ORDER PARTS FOR YALE SPUR-GEARED CHAIN HOISTS

Always state whether the part desired is for 'Model BB' or 'Model BS'. The model number will be found on the gear cover and hand chain wheel of the Models BB and BS.

ALWAYS GIVE CAPACITY OF HOIST

When in doubt about the model or capacity of part send us the old part to be duplicated. Be sure that it is clearly marked with your name and address so we can associate it with your order.

INSPECTION IS IMPORTANT

Inspect your chain hoists Periodically - especially the load chains and load sheaves.

The replacing of these parts when worn, at small expense, will make your chain hoist last a lifetime, maintain the efficiency and prevent accidents by breakage.

When Replacement Parts Are Needed, Order Only YALE[®] Factory Engineered Parts



PREVENTIVE MAINTENANCE

DAILY INSPECTION

The following inspection periods are based on an average duty, single shift operation of forty (40) hours per week under normal environmental conditions. If the hoist is used in heavier applications or in adverse environmental conditions, the inspections should be made more frequently.

Inspect the following items before using the hoist.

1. Braking Mechanism: Check for slipping brake.
2. Load Chain: Check for worn, broken or cracked links. Check for grit, dirt or other foreign matter which may be carried into the hoist mechanism. Check for proper lubrication.
3. Hooks: Check for cracks or deformations. The bottom hook must swivel freely.

NOTE: Bent or twisted hooks indicate overloading or abuse of the unit. Other load bearing components of the hoist should be inspected for damage.



DO NOT OPERATE THE HOIST IF IT IS FUNCTIONING IMPROPERLY OR IF DAMAGE IS NOTED.

ANNUAL INSPECTION

Inspect the following items at least once every year or more according to the paragraph above.

1. All items under Daily Inspection.
2. Load Chain and Sheaves: Check for excessive wear of chain, load sheaves, bottom block sheaves and chain stretch. See table on Page 4.
3. Hooks: Magnetic particle or other suitable crack detecting inspection should be performed at least once a year. Replace hook if throat opening is 15% in excess of normal throat opening or 10° twist from normal plane of hook. See table on Page 4.
4. Hardware: Check hook retaining nut, collars or pins for wear. Check for loose bolts, nuts or rivets. Check for missing or damaged hook latch.
5. Braking Mechanism: Check for worn, glazed or oil contaminated friction discs, worn pawls or ratchet. Corroded, stretched or broken pawl springs.
6. Load Bearing Parts: Check for worn, cracked or distorted parts such as hook blocks, suspension housing, outriggers, hand chain wheels, chain attachments, clevises, yokes, suspension bolts, shafts and bearings.
7. Supporting Structure and Trolley: If used, should be inspected for continued ability to support the imposed loads.

NOTE: Inspection Records.
The last page of this manual is an inspection record log to be filled out and signed by the person making the annual inspection.

Additional inspection log pages may be obtained by ordering from Distribution Center, Eaton Corporation, Hoisting Equipment Division, Forrest City, Arkansas 72335.

After repair of hoist, test with a light load for proper function. Load test unit with 125% of the rated capacity by lifting and lowering through a short distance.

When Replacement Parts Are Needed, Order Only YALE® Factory Engineered Parts



REPAIR PARTS

QUANTITY	PART NUMBER	DESCRIPTION
1	*	DISC HUB
1	*	RATCHET DISC
1	*	BRAKE DISC
1	*	GALVANIZED IRON DISC
1	*	PAWL SPRING AND ROD

RECOMMENDED SPARE PARTS FOR ONE YEAR

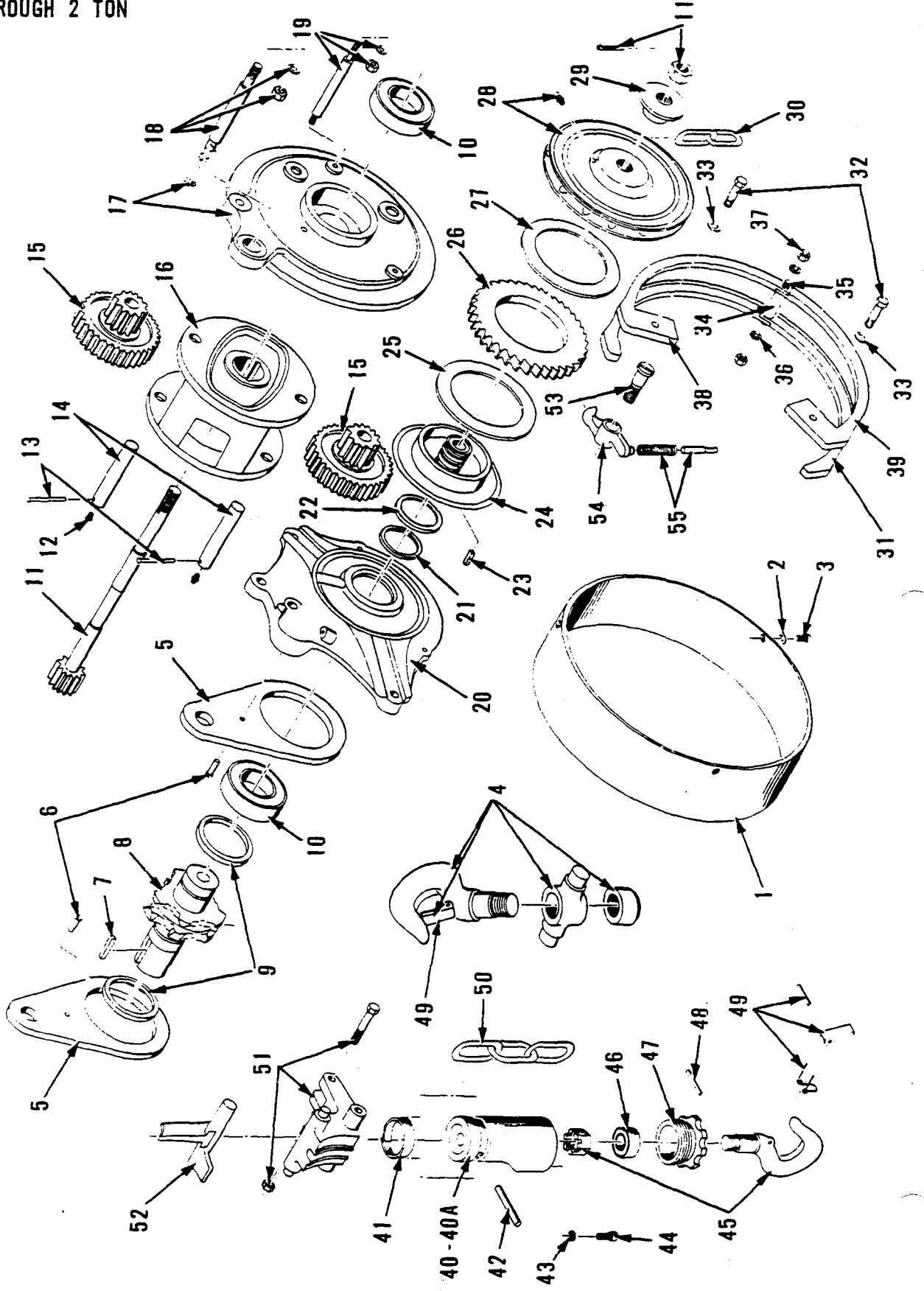
* See parts page for your particular model and capacity hoist.

When Replacement Parts Are Needed, Order Only YALE[®] Factory Engineered Parts



REPAIR PARTS

MODEL BB LINK CHAIN HOIST 1/4 THROUGH 2 TON



When Replacement Parts Are Needed, Order Only YALE® Factory Engineered Parts

REPAIR PARTS



MODEL BB LINK CHAIN HOIST 1/4 THROUGH 2 TON

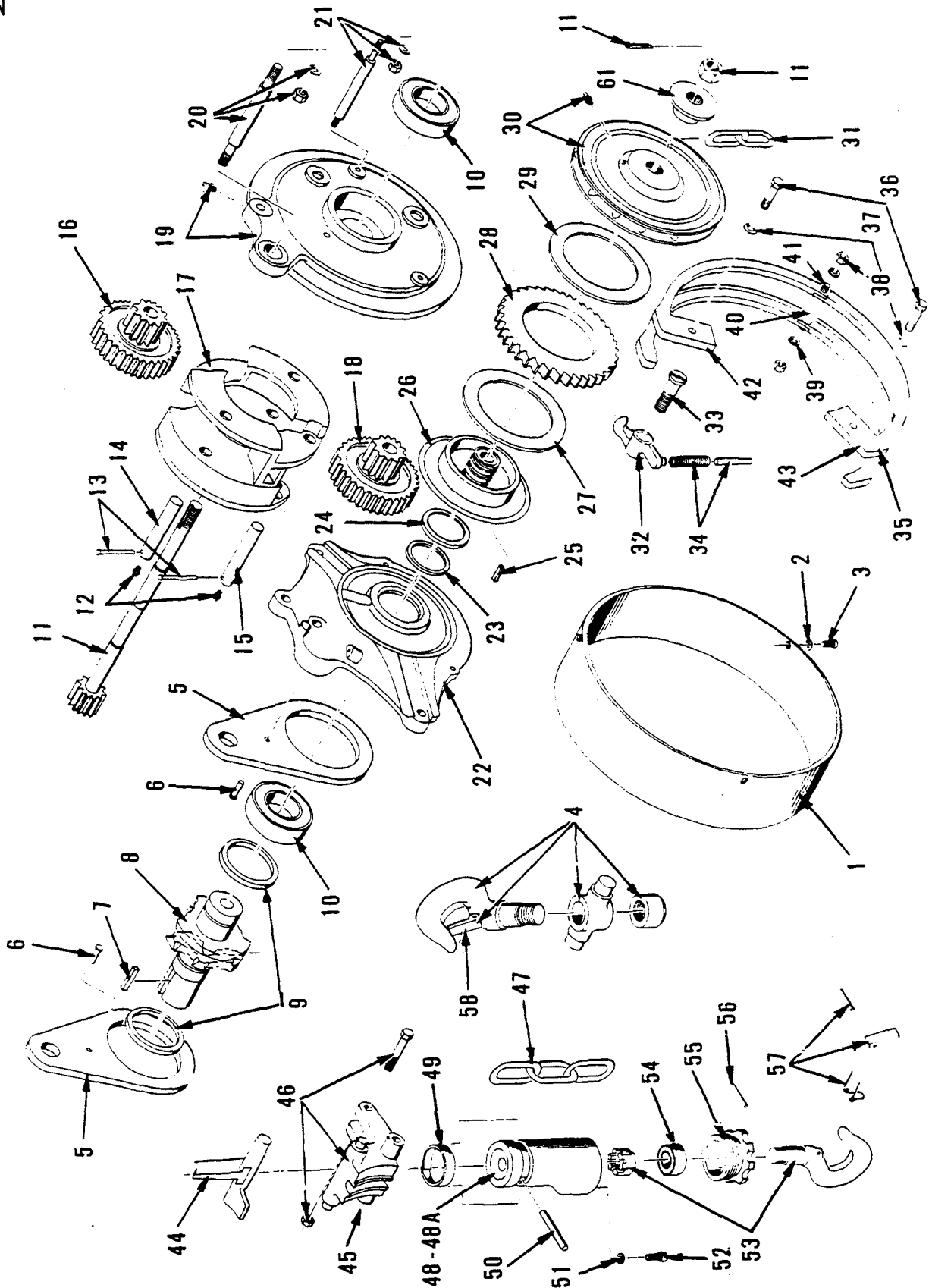
ITEM NUMBER	DESCRIPTION	1/4 TON PART NUMBER	1/2 TON PART NUMBER	1 TON PART NUMBER	1 1/2 TON PART NUMBER	2 TON PART NUMBER	QTY.
1	GEAR COVER	0361016-00	0361016-00	0361017-00	0361018-00	0361019-00	1
2	LOCKWASHER	0150285-00	0150285-00	0401002-00	0401002-00	0401002-00	3
3	GEAR COVER SCREW	0148748-00	0148748-00	0388002-00	0388002-00	0388002-00	3
4	TOP HOOK, NUT AND CROSSHEAD W/LATCH	0569876-00	0569876-00	0569877-00	0569878-00	0569879-00	1
5	SUSPENSION PLATE	0383080-00	0383080-00	0383081-00	0383082-00	0383083-00	2
6	SUSPENSION RIVET	0386023-00	0386023-00	0386024-00	0386032-00	0386019-00	2
7	LOAD SHEAVE KEY	0376003-00	0376003-00	0376005-00	0376008-00	0376010-00	2
8	LOAD SHEAVE ASSEMBLY	G392089-00	G392089-00	G392090-00	G392091-00	G392092-00	1
9	INNER OIL RETAINER	5024974-00	5024974-00	5024984-00	G386508-00	5024994-00	2
10	BEARING	0151258-00	0151258-00	0312062-00	0151197-00	2019232-00	2
11	DRIVING PINION ASSEMBLY	G368042-00	G368014-00	G382015-00	G382016-00	G382017-00	1
12	ALEMITE FITTING	0187541-00	0187542-00	0187541-00	0187541-00	0187541-00	2
13	PINION CAGE PIN	0187529-00	0187529-00	0187532-00	0187561-00	0187535-00	2
14	GEAR AND PINION PIN	0187491-00	0187495-00	0187506-00	0187512-00	0187519-00	2
15	GEAR AND PINION ASSEMBLY	G368002-00	G368004-00	G368006-00	G368008-00	G368010-00	2
16	PINION GAGE ASSEMBLY	G354012-00	G354008-00	G354009-00	G354010-00	G354011-00	1
17	INTERNAL GEAR ASSEMBLY	G368033-00	G368033-00	G368034-00	G368035-00	G368036-00	1
18	LARGE SEPARATOR AND NUT	G389032-00	G389032-00	G389033-00	G389034-00	G389035-00	1
19	SMALL SEPARATOR AND NUT	G389036-00	G389036-00	G389037-00	G389038-00	G389039-00	1
20	RATCHET CASE ASSEMBLY	G357018-00	G357018-00	G357019-00	G357020-00	G357021-00	1
21	OUTER FELT WASHER	0401039-00	0401039-00	0401041-00	0401043-00	0401045-00	1
22	OUTER FELT RETAINER	0386501-00	0386501-00	0386504-00	0386507-00	0386510-00	1
23	DISC HUB KEY	0376002-00	0376002-00	0376004-00	0376007-00	0376009-00	1
24	DISC HUB	0375010-00	0375010-00	0375011-00	0375012-00	0375013-00	1
25	RAYBESTOS DISC	0401241-00	0401241-00	0401242-00	0401243-00	0401240-00	1
26	RATCHET DISC	0365001-00	0365001-00	0365002-00	0365003-00	5024854-00	1
	GALVANIZED IRON DISC	0401202-00	0401202-00	0401205-00	0401208-00	0401214-00	1
	HANDWHEEL ASSEMBLY	G402083-00	G402079-00	G402080-00	G402081-00	G402082-00	1
	CHECKWASHER AND COLLAR	A237048-00	A237048-00	A237110-00	A237116-00	A237122-00	1
30	HAND CHAIN (Specify Length)	0033730-00	0033730-00	0033730-00	0033730-00	0033730-00	1
31	HAND CHAIN GUIDE ASSEMBLY (Includes Items 32 Thru 39)	G370003-00	G370003-00	G370006-00	G370009-00	G370012-00	1
32	HAND CHAIN GUIDE TAP BOLT	0146382-00	0146382-00	0350202-00	0350207-00	0350207-00	2
33	LOCKWASHER	0401003-00	0401003-00	0401003-00	0401005-00	0401005-00	2
34	HAND CHAIN GUIDE SEPARATOR	0389003-00	0389003-00	0389003-00	0389003-00	0389003-00	1
35	HAND CHAIN GUIDE THRU-BOLT	0350011-00	0350011-00	0350012-00	0350012-00	0350021-00	1
36	LOCKWASHER	0401002-00	0401002-00	0401004-00	0401004-00	0401004-00	2
37	THRU-BOLT NUT	0379012-00	0379012-00	0379017-00	0379017-00	0379017-00	2
38	HAND CHAIN GUIDE R.H.	0370002-00	0370002-00	0370005-00	0370008-00	0370011-00	1
39	HAND CHAIN GUIDE L.H.	0370003-00	0370003-00	0370006-00	0370009-00	0370012-00	1
40	BOTTOM BLOCK ASSEMBLY (Includes Items 40A Thru 49)	6429280-00	6429280-00	6429340-00	6435320-00	6411253-00	1
40A	BLOCK CASTING	6409423-00	6409423-00	6408393-00	6415304-00	6410854-00	1
41	RETAINING RING	6416141-00	6416141-00	0159191-00	0159193-00	0159193-00	1
42	ANCHOR PIN	6407951-00	6407951-00	6407961-00	6408141-00	0157203-00	1
43	LOCKWASHER	0150319-00	0150319-00	0150319-00	0150319-00	0150319-00	1
44	ALLEN SCREW	0655726-00	0655726-00	0655726-00	0655726-00	0655726-00	1
45	BOTTOM HOOK AND NUT W/LATCH	6463490-00	6463490-00	6463500-00	6463510-00	6463510-00	1
46	BOTTOM HOOK BEARING	0151221-00	0151221-00	0151222-00	0501931-00	0501931-00	1
47	ADAPTER	6406651-00	6406651-00	6406681-00	6406741-00	6406741-00	1
48	HOOK ROLL PIN	0612140-00	0612140-00	0599891-00	0511914-00	0511914-00	1
49	LATCH KIT ASSEMBLY	0669400-00	0669400-00	0669402-00	0669403-00	0669404-00	2
50	LOAD CHAIN (Specify Length)	0033734-00	0033734-00	0033740-00	0033744-00	0033746-00	1
51	LOAD CHAIN GUIDE AND END BOLT	G370054-00	G370054-00	G370055-00	G370056-00	G370057-00	1
52	STRIPPER	0396029-00	0396029-00	0396030-00	0396031-00	0396032-00	1
53	PAWL STUD	0397001-00	0397001-00	0397002-00	0397003-00	0397004-00	1
54	PAWL	0380001-00	0380001-00	0380002-00	0380003-00	0380004-00	1
55	PAWL SPRING AND ROD	G387001-00	G387001-00	G387002-00	G387003-00	G387004-00	1
56	LOAD CHAIN GUIDE BOLT AND NUT (Not Shown)	G350038-00	G350038-00	G350039-00	G350040-00	G350041-00	1
57	GEAR NAME PLATE (Not Shown)	0383056-00	0383056-00	0383056-00	0383056-00	0383056-00	1
	FILLER WASHER (Not Shown)	0202611-00	0202611-00	0535824-00	0203812-00	0201505-00	2
	WARNING DECAL	6439323-01	6439323-01	6439323-01	6439323-01	6439323-01	1

When Replacement Parts Are Needed, Order Only YALE® Factory Engineered Parts



REPAIR PART

MODEL BS LINK CHAIN HOIST
3 TON



When Replacement Parts Are Needed, Order Only YALE® Factory Engineered Part

REPAIR PARTS



MODEL BS LINK CHAIN HOIST
1 TON

ITEM NUMBER	PART NUMBER	DESCRIPTION	QTY.
1	0361034-00	GEAR COVER	1
2	0150289-00	LOCKWASHER	3
3	0148671-00	GEAR COVER SCREW	3
4	0569880-00	TOP HOOK, NUT AND CROSSHEAD WITH SAFETY LATCH	1
5	0383114-00	SUSPENSION PLATE	2
6	0386033-00	SUSPENSION PLATE RIVET	2
7	0376010-00	LOAD SHEAVE KEY	2
8	G392106-00	LOAD SHEAVE ASSEMBLY	1
9	5026004-00	INNER OIL RETAINER	2
10	0351015-00	BEARING	2
11	G382028-00	DRIVING PINION ASSEMBLY	1
12	0187541-00	ALEMITE FITTING	4
13	0187535-00	PINION CAGE PIN	4
14	0187519-00	GEAR AND PINION PIN (2nd Reduction)	2
15	0187524-00	GEAR AND PINION PIN (1st Reduction)	2
16	0637338-00	GEAR AND PINION ASSEMBLY (2nd Reduction)	2
17	G354016-00	PINION CAGE ASSEMBLY	1
18	0203792-00	GEAR AND PINION ASSEMBLY (1st Reduction)	2
19	G368052-00	INTERNAL GEAR ASSEMBLY	1
20	G389050-00	LARGE SEPARATOR AND NUTS	1
21	G389049-00	SMALL SEPARATOR AND NUTS	1
22	G357026-00	RATCHET CASE	1
23	0401049-00	OUTER FELT WASHER	1
24	0386513-00	OUTER FELT RETAINER	1
25	0376009-00	DISC HUB KEY	1
26	0375013-00	DISC HUB	1
27	0401240-00	RAYBESTOS DISC	1
28	5024854-00	RATCHET DISC	1
29	0401214-00	GALVANIZED IRON DISC	1
30	G402055-00	HANDWHEEL ASSEMBLY	1
31	0033730-00	HAND CHAIN (Specify Length)	1
32	0380004-00	PAWL	1
33	0397004-00	PAWL STUD	1
34	G387004-00	PAWL SPRING AND ROD	1
35	G370012-00	HAND CHAIN GUIDE ASSEMBLY (Include Items 36 Through 43)	1
36	0350207-00	HAND CHAIN GUIDE TAP BOLT	2
37	0401005-00	LOCKWASHER	2
38	0379017-00	THRU-BOLT NUT	2
39	0401004-00	LOCKWASHER	2
40	0389003-00	HAND CHAIN GUIDE SEPARATOR	1
41	0350021-00	HAND CHAIN GUIDE THRU-BOLT	1
42	0370011-00	HAND CHAIN GUIDE R.H.	1
43	0370012-00	HAND CHAIN GUIDE L.H.	1
44	0032670-00	STRIPPER	1
45	G350043-00	LOAD CHAIN GUIDE BOLT AND NUT (Not Shown)	1
46	G370096-00	LOAD CHAIN GUIDE AND TAIL END BOLT ASSEMBLY	1
47	0033748-00	LOAD CHAIN (Specify Length)	1
48	0436250-00	BOTTOM BLOCK ASSEMBLY (Includes Items 48A Through 57)	1
48A	0416364-00	BLOCK CASTING	1
49	0159193-00	RETAINING RING	1
50	0413291-00	ANCHOR PIN	1
51	0150319-00	LOCKWASHER	1
52	0655726-00	ALLEN SCREW	1
53	0463530-00	BOTTOM HOOK AND NUT, WITH SAFETY LATCH	1
54	0501931-00	BOTTOM HOOK BEARING	1
55	0406741-00	ADAPTER	1
56	0511914-00	ROLL PIN	1
57	0669406-00	BOTTOM HOOK SAFETY LATCH KIT	1
58	0669405-00	TOP HOOK SAFETY LATCH KIT	1
59	0384021-00	TOP CROSSHEAD HOLE PLUG (Not Shown)	1
60	0383113-00	GEAR COVER NAME PLATE (Not Shown)	1
61	A237122-00	CHECKWASHER AND SERRATED COLLAR ASSEMBLY	1

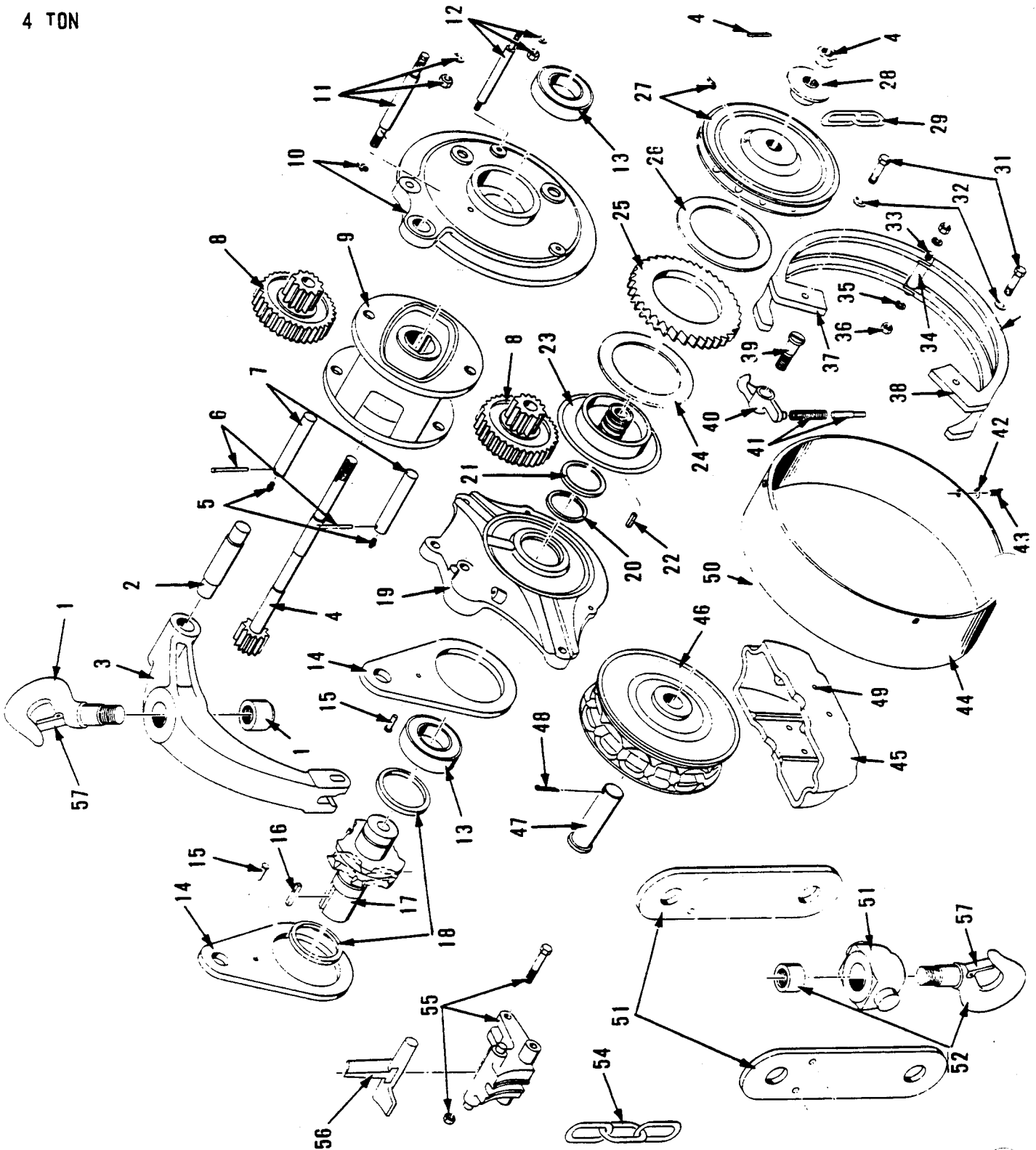
When Replacement Parts Are Needed, Order Only YALE[®] Factory Engineered Parts



Yale

REPAIR PARTS

MODEL BB LINK CHAIN HOIST
4 TON



When Replacement Parts Are Needed, Order Only YALE[®] Factory Engineered Parts

REPAIR PARTS



MODEL BB LINK CHAIN HOIST
TON

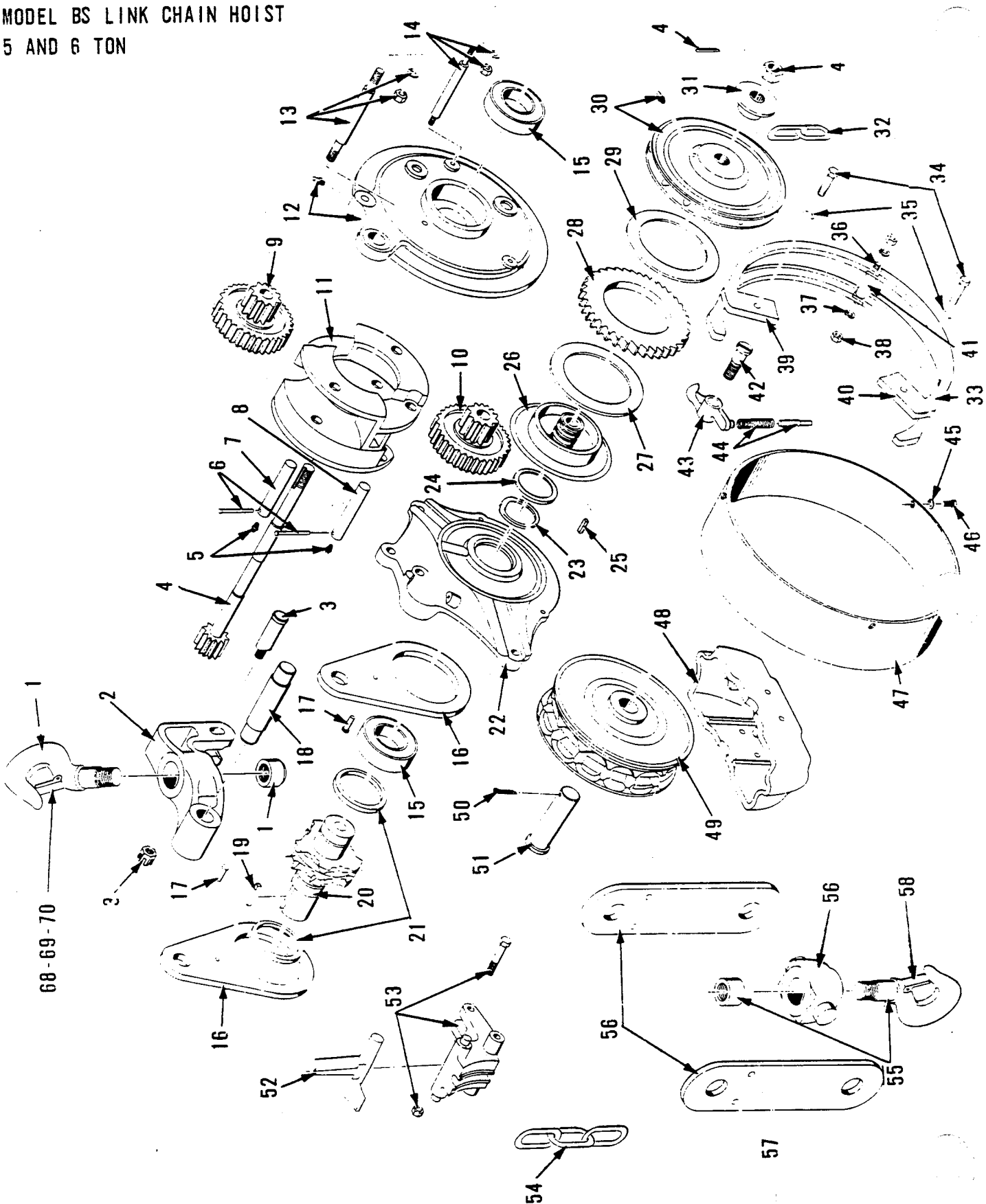
ITEM NUMBER	PART NUMBER	DESCRIPTION	QTY.
1	0551397-00	TOP HOOK AND NUT ASSEMBLY, W/SAFETY LATCH	1
2	0381062-00	TOP CROSS PIN	1
3	0405026-00	TOP YOKE	1
4	G382017-00	DRIVING PINION ASSEMBLY	1
5	0187541-00	ALEMITE FITTING	2
6	0187535-00	PINION CAGE PIN	2
7	0187519-00	GEAR AND PINION PIN	2
8	G368010-00	GEAR AND PINION ASSEMBLY	2
9	G354011-00	PINION CAGE ASSEMBLY	1
10	G368036-00	INTERNAL GEAR ASSEMBLY	1
11	G389035-00	LARGE SEPARATOR AND NUTS	1
12	0389039-00	SMALL SEPARATOR AND NUTS	1
13	2019232-00	BEARING	2
14	0383083-00	SUSPENSION PLATE	2
15	0386019-00	SUSPENSION RIVET	2
16	0376010-00	LOAD SHEAVE KEY	2
17	G392092-00	LOAD SHEAVE ASSEMBLY	1
18	5024994-00	INNER OIL RETAINER	2
19	G357021-00	RATCHET CASE	1
20	0401045-00	OUTER FELT WASHER	2
21	0386510-00	OUTER FELT RETAINER	1
22	0376009-00	DISC HUB KEY	1
23	0375013-00	DISC HUB	1
24	0401240-00	RAYBESTOS DISC	1
25	5024854-00	RATCHET DISC	1
26	0401214-00	GALVANIZED IRON DISC	1
27	G402086-00	HANDWHEEL	1
28	A237122-00	CHECKWASHER AND SERRATED COLLAR ASSEMBLY	1
29	0033730-00	HAND CHAIN (Specify Length)	1
30	G370012-00	HAND CHAIN GUIDE ASSEMBLY (Includes Items 31A Through 38)	1
31	0350207-00	HAND CHAIN GUIDE TAP BOLT	2
32	0401005-00	LOCKWASHER	2
33	0350021-00	HAND CHAIN GUIDE THRU BOLT	1
34	0389003-00	HAND CHAIN SEPARATOR	1
35	0401004-00	LOCKWASHER	2
36	0379017-00	THRU-BOLT NUT	2
37	0370011-00	HAND CHAIN GUIDE R.H.	1
38	0370012-00	HAND CHAIN GUIDE L.H.	1
39	0397004-00	PAWL STUD	1
40	0380004-00	PAWL	1
41	G387004-00	PAWL SPRING AND ROD	1
42	0401002-00	LOCKWASHER	3
43	0388002-00	GEAR COVER SCREW	3
44	0361019-00	GEAR COVER	1
45	0369002-00	BOTTOM GUARD AND GUIDE	1
46	0392018-00	BOTTOM SHEAVE	1
47	0381019-00	BOTTOM SHEAVE PIN	1
48	0154272-00	BOTTOM SHEAVE PIN COTTER	1
49	0386004-00	RIVET (Not Shown)	4
50	0383056-00	GEAR COVER NAME PLATE (Not Shown)	1
51	G383018-00	BOTTOM SIDE PLATES AND CROSSHEAD ASSEMBLY	1
52	0551397-00	BOTTOM HOOK AND NUT W/SAFETY LATCH	1
53	6404381-00	ETCHED CAPACITY PLATE (Not Shown)	1
54	0033746-00	LOAD CHAIN (Specify Length)	1
55	G370057-00	LOAD CHAIN GUIDE AND END BOLT	1
56	0396032-00	STRIPPER	1
57	0669406-00	SAFETY LATCH KIT	2
58	G350041-00	LOAD CHAIN GUIDE BOLT AND NUT (Not Shown)	1
59	G376011-00	DETACHABLE SHACKLE BOLT, NUT AND COTTER (Not Shown)	1
60	0201505-00	FILLER WASHER (Not Shown)	2
61	0386021-00	CAPACITY PLATE RIVET (Not Shown)	4

When Replacement Parts Are Needed, Order Only YALE[®] Factory Engineered Parts



REPAIR PARTS

MODEL BS LINK CHAIN HOIST
5 AND 6 TON



When Replacement Parts Are Needed, Order Only YALE[®] Factory Engineered Parts

REPAIR PARTS



MODEL BS LINK CHAIN HOIST 5 AND 6 TON

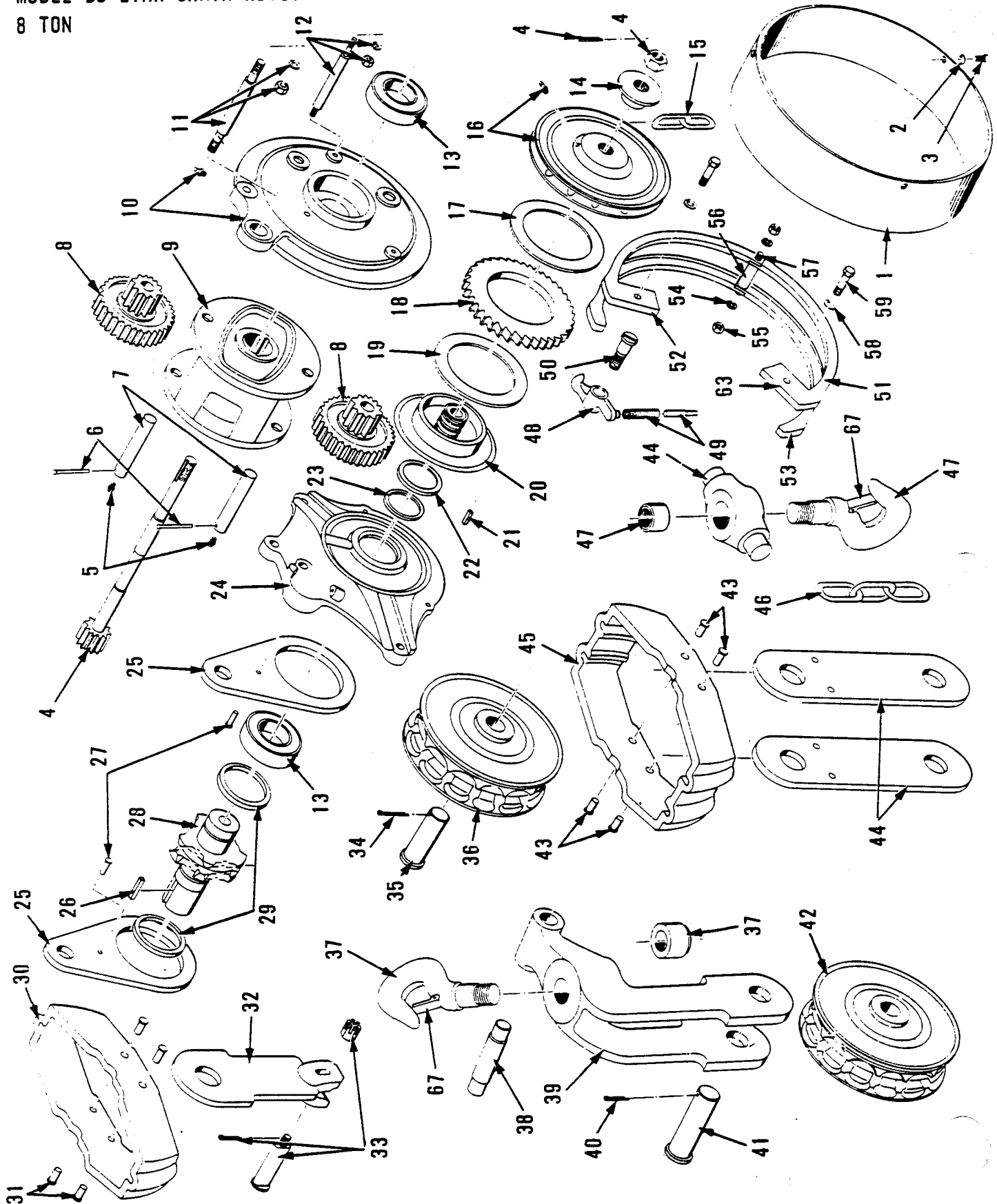
ITEM NUMBER	DESCRIPTION	PART NUMBER		QTY.
		5 TON	6 TON	
1	HOOK AND NUT ASSEMBLY W/SAFETY LATCH	0551420-00	0551420-00	1
2	TOP YOKE	0405038-00	0405038-00	1
3	SHACKLE BOLT, NUT AND COTTER PIN	G350042-00	G350042-00	1
4	DRIVING PINION ASSEMBLY	G382028-00	G382028-00	1
5	ALEMITE FITTING	0187541-00	0187541-00	2
6	PINION CAGE PIN	0187535-00	0187535-00	4
7	GEAR AND PINION PIN (2nd Reduction)	0187519-00	0187519-00	2
8	GEAR AND PINION PIN (1st Reduction)	0187524-00	0187524-00	2
9	GEAR AND PINION ASSEMBLY (2nd Reduction)	0637338-00	0637338-00	2
10	GEAR AND PINION ASSEMBLY (1st Reduction)	0203792-00	0203792-00	2
11	PINION CAGE ASSEMBLY	G354016-00	G354016-00	1
12	INTERNAL GEAR	G368052-00	G368052-00	1
13	LARGE SEPARATOR AND NUTS	G389050-00	G389050-00	1
14	SMALL SEPARATOR AND NUTS	G389049-00	G389049-00	1
15	BEARING	0351015-00	0351015-00	2
16	SUSPENSION PLATE	0383114-00	0383114-00	2
17	SUSPENSION PLATE RIVET	0386033-00	0386033-00	2
18	TOP CROSS PIN	0381068-00	0381068-00	1
19	LOAD SHEAVE KEY	0376010-00	0376010-00	2
20	LOAD SHEAVE ASSEMBLY	G392106-00	G392106-00	1
21	INNER OIL RETAINER	5026004-00	5026004-00	2
22	RATCHET CASE	G257026-00	G357026-00	1
23	OUTER FELT WASHER	0401049-00	0401049-00	1
24	OUTER FELT RETAINER	0386513-00	0386513-00	1
25	DISC HUB KEY	0376009-00	0376009-00	1
26	DISC HUB	0375013-00	0375013-00	1
27	RAYBESTOS DISC	0401240-00	0401240-00	1
28	RATCHET DISC	5024854-00	5024854-00	1
29	GALVANIZED IRON DISC	0401214-00	0401214-00	1
30	HAND WHEEL	G402095-00	G402095-00	1
31	SERRATED COLLAR AND CHECKWASHER	A237122-00	A237122-00	1
32	HAND CHAIN (Specify Length)	0033730-00	0033730-00	1
33	HAND CHAIN GUIDE ASSEMBLY (Includes Items 34 Through 41)	G370012-00	G370012-00	1
34	HAND CHAIN GUIDE TAP BOLT	0350207-00	0350207-00	2
35	LOCKWASHER	0401005-00	0401005-00	2
36	HAND CHAIN GUIDE THRU-BOLT	0350021-00	0350021-00	1
37	LOCKWASHER	0401004-00	0401004-00	2
38	THRU-BOLT NUT	0379017-00	0379017-00	2
39	HAND CHAIN GUIDE R.H.	0370011-00	0370011-00	1
40	HAND CHAIN GUIDE L.H.	0370012-00	0370012-00	1
41	HAND CHAIN GUIDE SEPARATOR	0389003-00	0389003-00	1
42	PAWL STUD	0397004-00	0397004-00	1
43	PAWL	0380004-00	0380004-00	1
44	PAWL SPRING AND ROD	0387004-00	0387004-00	1
45	LOCKWASHER	0150289-00	0150289-00	3
46	GEAR COVER SCREW	0148691-00	0148691-00	3
47	GEAR COVER	0361034-00	0361034-00	1
48	BOTTOM GUARD AND GUIDE	0369031-00	0369031-00	1
49	BOTTOM SHEAVE	0392109-00	0392109-00	1
50	COTTER PIN	0154272-00	0154272-00	1
51	BOTTOM SHEAVE PIN	0381021-00	0381021-00	1
52	STRIPPER	0032670-00	0032670-00	1
53	LOAD CHAIN GUIDE AND END BOLT	G370096-00	G370096-00	1
54	LOAD CHAIN (Specify Length)	0033748-00	0033748-00	1
55	BOTTOM HOOK AND NUT W/SAFETY LATCH	0551420-00	0551420-00	1
56	BOTTOM SIDE PLATES AND CROSSHEAD ASSEMBLY	G383115-00	G383115-00	2
57	SIDEPLATE RIVETS (Not Shown)	0386004-00	0386004-00	4
58	SAFETY LATCH KIT	0669407-00	0669407-00	2
59	CAPACITY PLATE RIVET (Not Shown)	0386021-00	0386021-00	4
60	GEAR COVER NAME PLATE (Not Shown)	0383113-00	0383113-00	1
61	PLUG (Not Shown) TOP YOKE HOLE, INTERNAL GEAR SIDE	0384021-00	0384021-00	1
62	LOAD CHAIN GUIDE BOLT AND NUT (Not Shown)	G350043-00	G350043-00	1
63	ETCHED CAPACITY PLATE (Not Shown)	6404381-00	6404381-00	1

When Replacement Parts Are Needed, Order Only YALE[®] Factory Engineered Parts



REPAIR PARTS

MODEL BB LINK CHAIN HOIST
8 TON



When Replacement Parts Are Needed, Order Only YALE[®] Factory Engineered Parts

REPAIR PARTS



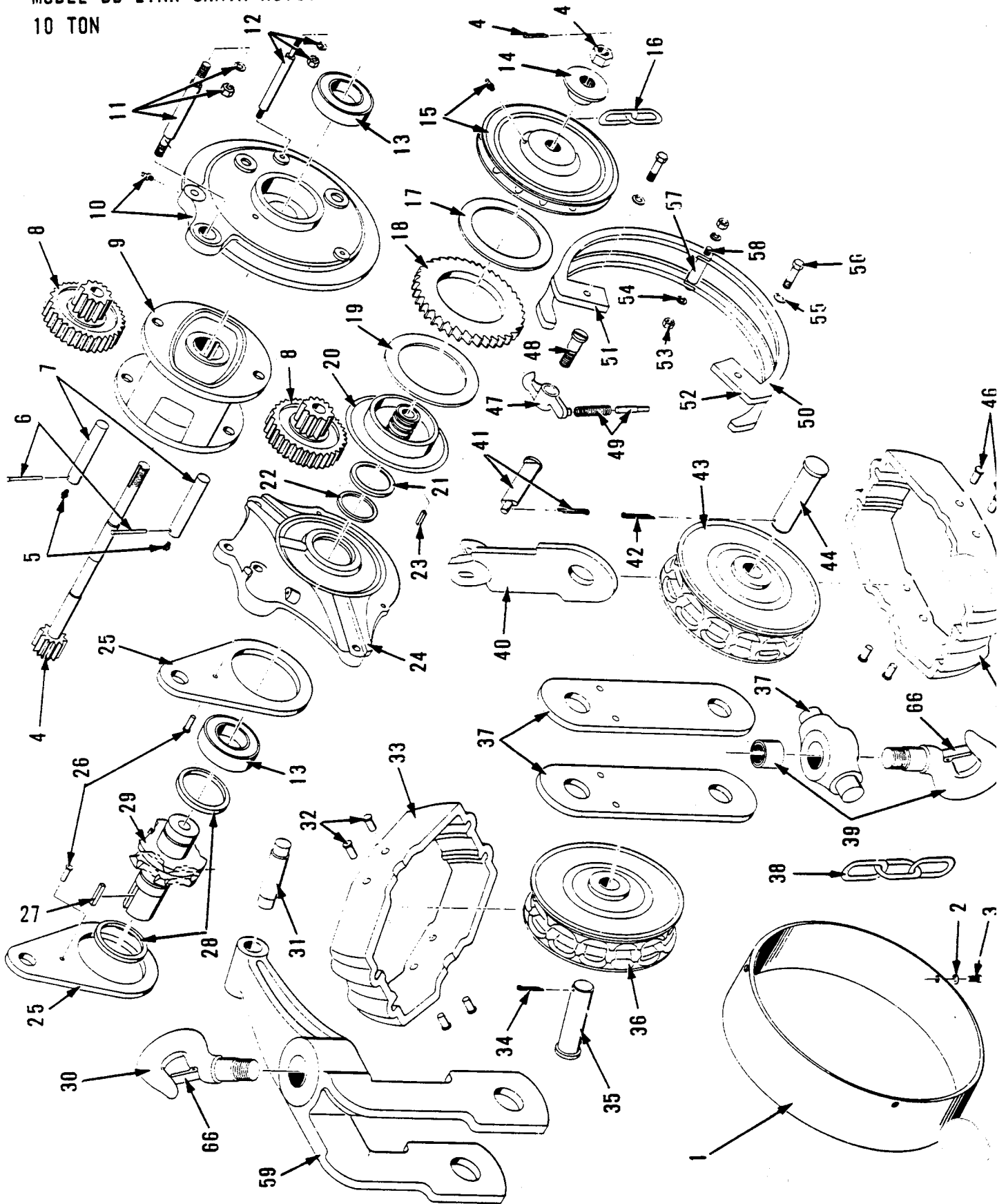
MODEL BB LINK CHAIN HOIST
TON

ITEM NUMBER	PART NUMBER	DESCRIPTION	QTY.
1	0361019-00	GEAR COVER	1
2	0401002-00	LOCKWASHER (Gear Cover)	3
3	0388002-00	SCREW (Gear Cover)	3
4	G382017-00	DRIVING PINION ASSEMBLY	1
5	0187541-00	ALEMITE FITTING	2
6	0187535-00	PINION CAGE PIN	2
7	0187519-00	GEAR AND PINION PIN	2
8	G368010-00	GEAR AND PINION ASSEMBLY	2
9	G354011-00	PINION CAGE	1
10	G368036-00	INTERNAL GEAR ASSEMBLY	1
11	G389035-00	LARGE SEPARATOR AND NUTS	1
12	G389039-00	SMALL SEPARATOR AND NUTS	1
13	2019232-00	BEARING	2
14	A237122-00	SERRATED COLLAR AND CHECKWASHER	1
15	0033730-00	HAND CHAIN (Specify Length)	1
16	G402086-00	HANDWHEEL ASSEMBLY	1
17	0401214-00	GALVANIZED IRON DISC	1
18	5024854-00	RATCHET DISC	1
19	0401240-00	RAYBESTOS DISC	1
20	0375013-00	DISC HUB	1
21	0376009-00	DISC HUB KEY	1
22	0386510-00	OUTER FELT RETAINER	1
23	0401045-00	OUTER FELT WASHER	1
24	G357021-00	RATCHET CASE ASSEMBLY	1
25	0383083-00	SUSPENSION PLATE	2
26	0376010-00	LOAD SHEAVE KEY	2
27	0388019-00	SUSPENSION RIVET	2
28	G392092-00	LOAD SHEAVE ASSEMBLY	1
29	5024994-00	INNER OIL RETAINER	2
30	0369009-00	TOP GUARD AND GUIDE	1
31	0386005-00	FLAT HEAD RIVET	4
32	0383049-00	DETACHABLE SHACKLE PLATE	1
33	G376011-00	DETACHABLE SHACKLE BOLT, NUT AND COTTER PIN	1
34	0154273-00	COTTER PIN	1
35	0381022-00	BOTTOM SHEAVE PIN	1
36	0392020-00	BOTTOM SHEAVE	2
37	6472520-00	TOP HOOK AND NUT ASSEMBLY, W/SAFETY LATCH	1
38	0381062-00	TOP CROSS PIN	1
39	0620447-00	TOP YOKE	1
40	0154272-00	TOP SHEAVE COTTER PIN	1
41	0381049-00	TOP SHEAVE PIN	1
42	0392075-00	TOP SHEAVE	1
43	0386006-00	RIVET	4
44	G383021-00	BOTTOM SIDE PLATES AND CROSSHEAD ASSEMBLY	2
45	0369004-00	BOTTOM GUARD AND GUIDE	1
46	0033746-00	LOAD CHAIN (Specify Length)	1
47	6471150-00	BOTTOM HOOK AND NUT ASSEMBLY, W/SAFETY LATCH	1
48	0380004-00	PAWL	1
49	G387004-00	PAWL SPRING AND ROD	1
50	0397004-00	PAWL STUD	1
51	G370012-00	HAND CHAIN GUIDE ASSEMBLY (Includes Items 52 Through 59)	1
52	0370011-00	HAND CHAIN GUIDE R.H.	1
53	0370012-00	HAND CHAIN GUIDE L.H.	1
54	0401004-00	LOCKWASHER	2
55	0379017-00	THRU-BOLT NUT	2
56	0389003-00	HAND CHAIN GUIDE SEPARATOR	1
57	0350021-00	HAND CHAIN GUIDE THRU-BOLT	1
58	0401005-00	LOCKWASHER	2
59	0350207-00	HAND CHAIN GUIDE TAP BOLT	2
60	0396032-00	STRIPPER (Not Shown)	1
61	0383056-00	GEAR COVER NAME PLATE (Not Shown)	1
62	6404381-00	ETCHED CAPACITY PLATE (Not Shown)	1
63	0386021-00	RIVET, CAPACITY PLATE (Not Shown)	4
64	G370057-00	LOAD CHAIN GUIDE AND END BOLT (Not Shown)	1
65	G350041-00	LOAD CHAIN GUIDE BOLT AND NUT (Not Shown)	1
66	0201505-00	FILLER WASHER (Not Shown)	2
67	0628120-00	SAFETY LATCH KIT	2

When Replacement Parts Are Needed, Order Only YALE[®] Factory Engineered Parts



MODEL BB LINK CHAIN HOIST
10 TON



When Replacement Parts Are Needed, Order Only YALE[®] Factory Engineered Part

REPAIR PARTS



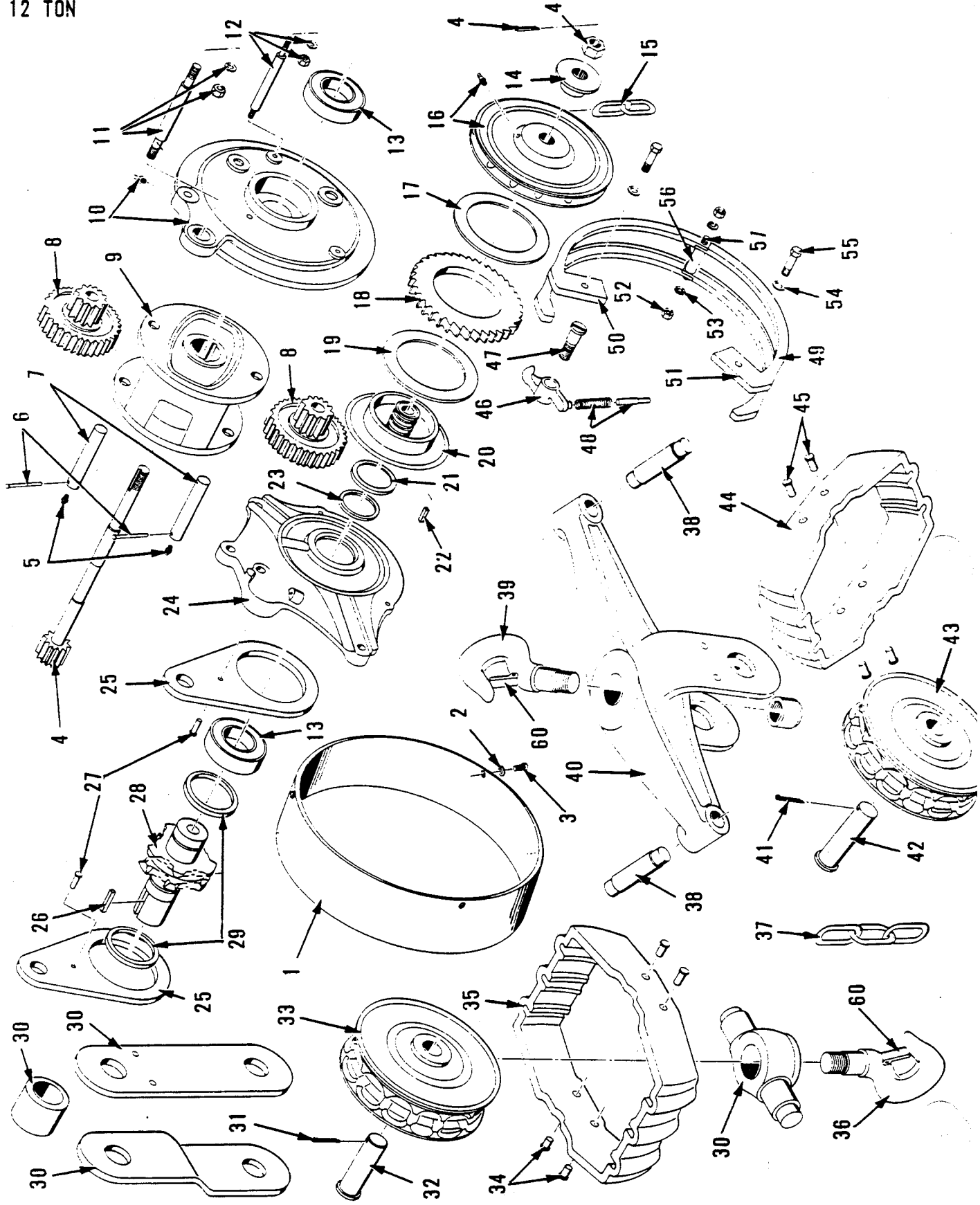
MODEL BB LINK CHAIN HOIST
10 TON

ITEM NUMBER	PART NUMBER	DESCRIPTION	QTY.
1	0361019-00	GEAR COVER	1
2	0401002-00	LOCKWASHER	3
3	0388002-00	SCREW, GEAR COVER	3
4	G382017-00	DRIVING PINION ASSEMBLY	1
5	0187541-00	ALEMITE FITTING	2
6	0187535-00	PINION CAGE PIN	2
7	0187519-00	GEAR AND PINION PIN	2
8	G368010-00	GEAR AND PINION ASSEMBLY	2
9	G354011-00	PINION CAGE ASSEMBLY	1
10	G368036-00	INTERNAL GEAR ASSEMBLY	1
11	G389035-00	LARGE SEPARATOR AND NUTS	1
12	G389039-00	SMALL SEPARATOR AND NUTS	1
13	2019232-00	BEARING	2
14	A237122-00	SERRATED COLLAR AND CHECKWASHER	1
15	G402086-00	HANDWHEEL ASSEMBLY	1
16	0033730-00	HAND CHAIN (Specify Length)	1
17	0401214-00	GALVANIZED IRON DISC	1
18	5024854-00	RATCHET DISC	1
19	0401240-00	RAYBESTOS DISC	1
20	0375013-00	DISC HUB	1
21	0386510-00	OUTER FELT RETAINER	1
22	0401045-00	OUTER FELT WASHER	1
23	0376009-00	DISC HUB KEY	1
24	G357021-00	RATCHET CASE ASSEMBLY	1
25	0383083-00	SUSPENSION PLATE	2
26	0386019-00	SUSPENSION RIVET	2
27	0376010-00	LOAD SHEAVE KEY	2
28	5024994-00	INNER OIL RETAINER	2
29	G392092-00	LOAD SHEAVE ASSEMBLY	1
30	6472530-00	TOP HOOK AND NUT ASSEMBLY W/SAFETY LATCH	1
31	0381062-00	TOP CROSS PIN	1
32	0386008-00	RIVET	4
33	0369010-00	TOP GUARD AND GUIDE	1
34	0154273-00	TOP SHEAVE COTTER PIN	1
35	0381023-00	TOP SHEAVE PIN	1
36	0392021-00	TOP SHEAVE	1
37	G383022-00	BOTTOM SIDE PLATE AND CROSSHEAD ASSEMBLY	2
38	0033746-00	LOAD CHAIN (Specify Length)	1
39	6472530-00	BOTTOM HOOK AND NUT, W/SAFETY LATCH	1
40	0383050-00	DETACHABLE SHACKLE PLATE	1
41	G376011-00	DETACHABLE SHACKLE BOLT, NUT AND COTTER	1
42	0154273-00	COTTER PIN	1
43	0392021-00	BOTTOM SHEAVE	2
44	0381023-00	BOTTOM SHEAVE PIN	1
45	0369005-00	BOTTOM GUARD AND GUIDE	1
46	0386006-00	RIVET	4
47	0380004-00	PAWL	1
48	0397004-00	PAWL STUD	1
49	G387004-00	PAWL SPRING AND ROD	1
50	G370012-00	HAND CHAIN GUIDE ASSEMBLY (Include Items 51 Through 58)	1
51	0370011-00	HAND CHAIN GUIDE R.H.	1
52	0370012-00	HAND CHAIN GUIDE L.H.	1
53	0379017-00	THRU-BOLT NUT	2
54	0401004-00	LOCKWASHER	2
55	0401005-00	LOCKWASHER	2
56	0350207-00	HAND CHAIN GUIDE TAP BOLT	2
57	0389003-00	HAND CHAIN GUIDE SEPARATOR	1
58	0350021-00	HAND CHAIN GUIDE THRU-BOLT	1
59	0623735-00	TOP YOKE	1
60	6404381-00	ETCHED CAPACITY PLATE (Not Shown)	1
61	0386021-00	CAPACITY PLATE RIVET (Not Shown)	4
62	G370057-00	LOAD CHAIN GUIDE AND END BOLT (Not Shown)	1
63	0383056-00	GEAR COVER NAME PLATE (Not Shown)	1
64	0396032-00	STRIPPER (Not Shown)	1
65	G350041-00	LOAD CHAIN GUIDE BOLT AND NUT (Not Shown)	1
66	0616675-00	SAFETY LATCH KIT	2
67	0201505-00	BEARING FILLER WASHER (Not Shown)	2

When Replacement Parts Are Needed, Order Only YALE[®] Factory Engineered Parts



MODEL BB LINK CHAIN HOIST
12 TON



When Replacement Parts Are Needed, Order Only YALE® Factory Engineered Parts

REPAIR PARTS



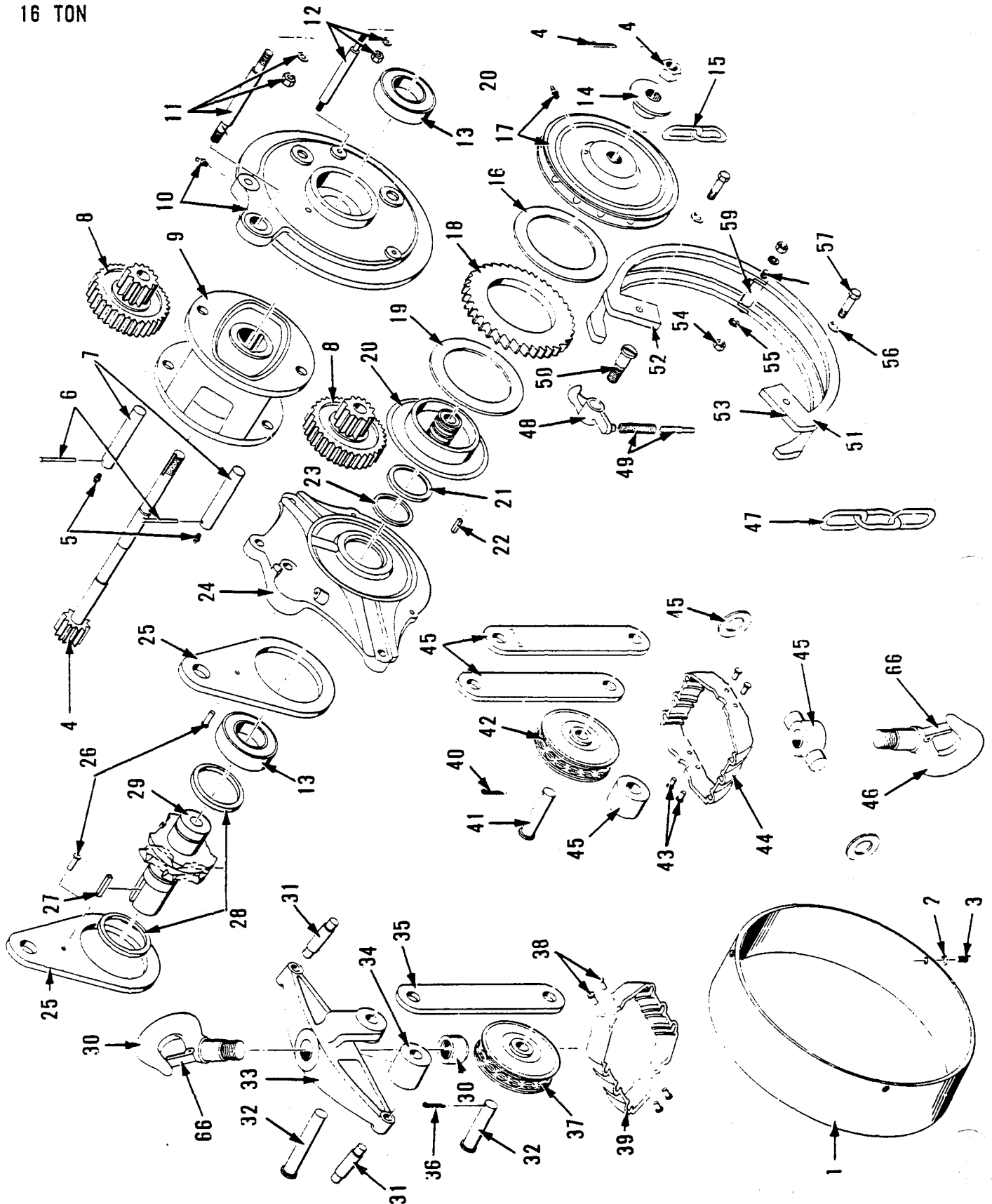
MODEL BB LINK CHAIN HOIST
12 TON

ITEM NUMBER	PART NUMBER	DESCRIPTION	QTY.
1	0361019-00	GEAR COVER	2
2	0401002-00	LOCKWASHER	6
3	0388002-00	SCREW	6
4	G382017-00	DRIVING PINION ASSEMBLY	2
5	0187541-00	ALEMITE FITTING	4
6	0187535-00	PINION CAGE PIN	4
7	0187519-00	GEAR AND PINION PIN	4
8	G368010-00	GEAR AND PINION ASSEMBLY	4
9	G354011-00	PINION CAGE ASSEMBLY	2
10	G368036-00	INTERNAL GEAR ASSEMBLY	2
11	G389035-00	LARGE SEPARATOR AND NUTS	2
12	G389039-00	SMALL SEPARATOR AND NUTS	2
13	2019232-00	BEARING	4
14	A237122-00	SERRATED COLLAR AND CHECKWASHER ASSEMBLY	2
15	0033730-00	HAND CHAIN (Specify Length)	2
16	G402086-00	HANDWHEEL	2
17	0401214-00	GALVANIZED IRON DISC	2
18	5024854-00	RATCHET DISC	2
19	0401240-00	RAYBESTOS DISC	2
20	0375013-00	DISC HUB	2
21	0386510-00	OUTER FELT RETAINER	2
22	0376009-00	DISC HUB KEY	2
23	0401045-00	OUTER FELT WASHER	2
24	G357021-00	RATCHET CASE	2
25	0383083-00	SUSPENSION PLATE	4
26	0376010-00	LOAD SHEAVE KEY	4
27	0386019-00	SUSPENSION RIVET	4
28	G392092-00	LOAD SHEAVE ASSEMBLY	2
29	5024994-00	INNER OIL RETAINER	4
30	G383023-00	BOTTOM SIDE PLATES, SPACER AND CROSSHEAD ASSEMBLY	1
31	0154273-00	COTTER PIN (Bottom Sheave)	1
32	0381024-00	BOTTOM SHEAVE PIN	1
33	0392022-00	BOTTOM SHEAVE	2
34	0386006-00	RIVET	4
35	0369006-00	BOTTOM GUARD AND GUIDE	1
36	6472530-00	BOTTOM HOOK AND NUT, W/SAFETY LATCH	1
37	0033746-00	LOAD CHAIN (Specify Length)	1
38	0381062-00	TOP CROSS PIN	2
39	6472530-00	TOP HOOK AND NUT, WITH SAFETY LATCH	1
40	0623746-00	TOP YOKE	1
41	0154274-00	COTTER PIN	1
42	0381023-00	TOP SHEAVE PIN	1
43	0392021-00	TOP SHEAVE	2
44	0369010-00	TOP GUARD AND GUIDE	1
45	0386007-00	RIVET	4
46	0380004-00	PAWL	2
47	0397004-00	PAWL STUD	2
48	0387004-00	PAWL SPRING AND ROD	2
49	G370012-00	HAND CHAIN GUIDE ASSEMBLY (Includes Items 50 Through 57)	1
50	0370011-00	HAND CHAIN GUIDE R.H.	2
51	0370012-00	HAND CHAIN GUIDE L.H.	2
52	0379017-00	THRU-BOLT NUT	4
53	0401004-00	LOCKWASHER	4
54	0401005-00	LOCKWASHER	4
55	0350207-00	HAND CHAIN GUIDE TAP BOLT	4
56	0389003-00	HAND CHAIN GUIDE SEPARATOR	2
57	0350021-00	HAND CHAIN GUIDE THRU-BOLT	2
58	6404381-00	ETCHED CAPACITY PLATE (Not Shown)	1
59	0386021-00	CAPACITY PLATE RIVET (Not Shown)	4
60	0616675-00	SAFETY LATCH KIT	2
61	G370057-00	LOAD CHAIN GUIDE AND END BOLT (Not Shown)	2
62	0383056-00	GEAR COVER NAME PLATE (Not Shown)	2
63	0396032-00	STRIPPER (Not Shown)	2
64	G350041-00	LOAD CHAIN GUIDE BOLT AND NUT (Not Shown)	2
65	0201505-00	BEARING FILLER WASHER (Not Shown)	4

When Replacement Parts Are Needed, Order Only YALE[®] Factory Engineered Parts



MODEL BB LINK CHAIN HOIST
16 TON



When Replacement Parts Are Needed, Order Only YALE® Factory Engineered Parts

REPAIR PARTS

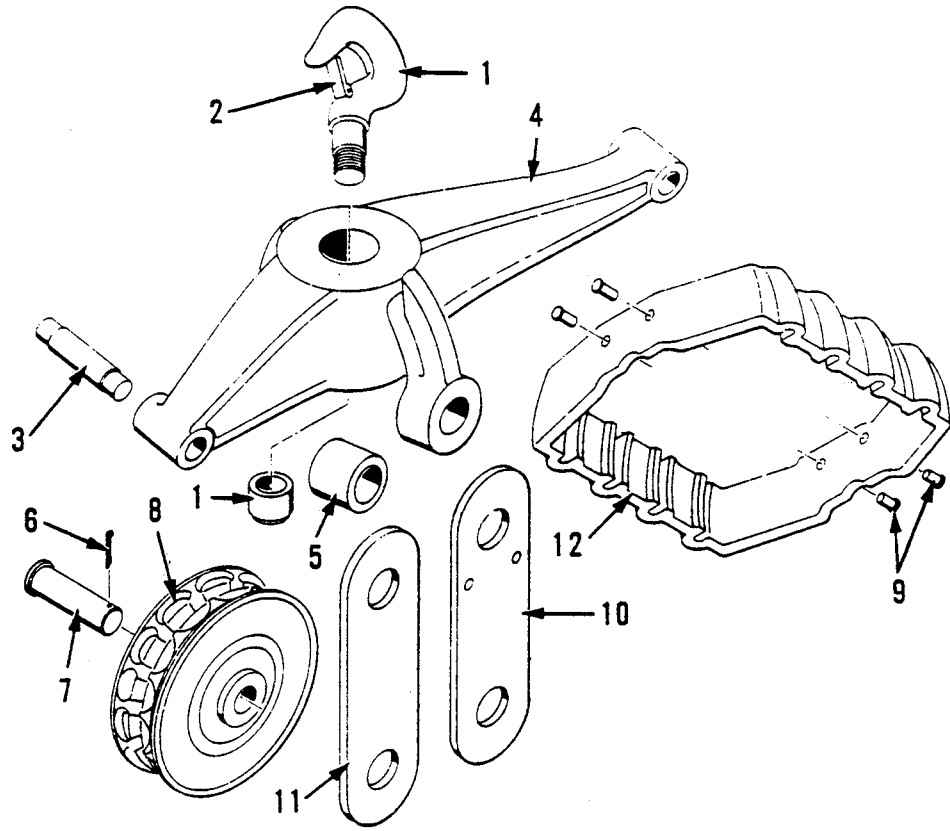


MODEL BB LINK CHAIN HOIST
16 TON

ITEM NUMBER	PART NUMBER	DESCRIPTION	QTY.
1	0861019-00	GEAR COVER	2
2	0401002-00	LOCKWASHER	6
3	0388002-00	SCREW	6
4	G382017-00	DRIVING PINION ASSEMBLY	2
5	0187541-00	ALEMITE FITTING	4
6	0187535-00	PINION CAGE PIN	4
7	0187519-00	GEAR AND PINION PIN	4
8	G368010-00	GEAR AND PINION ASSEMBLY	4
9	G354011-00	PINION CAGE ASSEMBLY	2
10	G368036-00	INTERNAL GEAR ASSEMBLY	2
11	G389035-00	LARGE SEPARATOR AND NUTS	2
12	G389039-00	SMALL SEPARATOR AND NUTS	2
13	2019232-00	BEARING	4
14	0237122-00	SERRATED COLLAR AND CHECKWASHER	2
15	0033730-00	HAND CHAIN (Specify Length)	2
16	0401214-00	GALVANIZED IRON DISC	2
17	G402086-00	HANDWHEEL ASSEMBLY	2
18	5024854-00	RATCHET DISC	2
19	0401240-00	RAYBESTOS DISC	2
20	0375013-00	DISC HUB	2
21	0386510-00	OUTER FELT RETAINER	2
22	0376009-00	DISC HUB KEY	2
23	0401045-00	OUTER FELT WASHER	2
24	G357021-00	RATCHET CASE	2
25	0383083-00	SUSPENSION PLATE	4
26	0386019-00	SUSPENSION RIVET	4
27	0376010-00	LOAD SHEAVE KEY	4
28	5024994-00	INNER OIL RETAINER	4
29	G392092-00	LOAD SHEAVE ASSEMBLY	2
30	6472540-00	TOP HOOK AND NUT ASSEMBLY, W/SAFETY LATCH	1
31	0381062-00	TOP CROSS PIN	2
32	0381024-00	TOP SHEAVE PIN	2
33	0405031-00	TOP YOKE	1
34	0359023-00	TOP SEPARATOR	1
35	0383027-00	TOP SIDE PLATE	4
36	0154273-00	TOP SHEAVE COTTER PIN	2
37	0392022-00	TOP SHEAVE	3
38	0386006-00	RIVET	4
39	0369006-00	TOP GUARD AND GUIDE	1
40	0154273-00	BOTTOM SHEAVE COTTER PIN	2
41	0381025-00	BOTTOM SHEAVE PIN	1
42	0392020-00	BOTTOM SHEAVE	4
43	0386006-00	RIVET	4
44	0369007-00	BOTTOM GUARD AND GUIDE	1
45	G383025-00	BOTTOM SIDE PLATES, CROSSHEAD, SEPARATORS AND WASHERS	1
46	6472550-00	BOTTOM HOOK AND NUT, W/SAFETY LATCH	1
47	0033746-00	LOAD CHAIN (Specify Length)	1
48	0380004-00	PAWL	2
49	G387004-00	PAWL SPRING AND ROD	2
50	0397004-00	PAWL STUD	2
51	G370012-00	HAND CHAIN GUIDE ASSEMBLY (Includes Items 52 Through 59)	1
52	0370011-00	HAND CHAIN GUIDE R.H.	2
53	0370012-00	HAND CHAIN GUIDE L.H.	2
54	0379017-00	THRU-BOLT NUT	4
55	0401004-00	LOCKWASHER	4
56	0401005-00	LOCKWASHER	4
57	0350207-00	HAND CHAIN GUIDE TAP BOLT	4
58	0350021-00	HAND CHAIN GUIDE THRU-BOLT	2
59	0389003-00	HAND CHAIN GUIDE SEPARATOR	2
60	6404381-00	ETCHED CAPACITY PLATE (Not Shown)	1
61	0386021-00	CAPACITY PLATE RIVET (Not Shown)	4
62	G370057-00	LOAD CHAIN GUIDE AND END BOLT (Not Shown)	2
63	0396032-00	STRIPPER (Not Shown)	2
64	0383056-00	GEAR COVER NAME PLATE (Not Shown)	2
65	G350041-00	LOAD CHAIN GUIDE BOLT AND NUT (Not Shown)	2
66	0578140-00	SAFETY LATCH KIT	2
67	0201505-00	FILLER WASHER (Not Shown)	4

When Replacement Parts Are Needed, Order Only YALE[®] Factory Engineered Parts

**MODEL BB LINK CHAIN HOIST
20 TON**

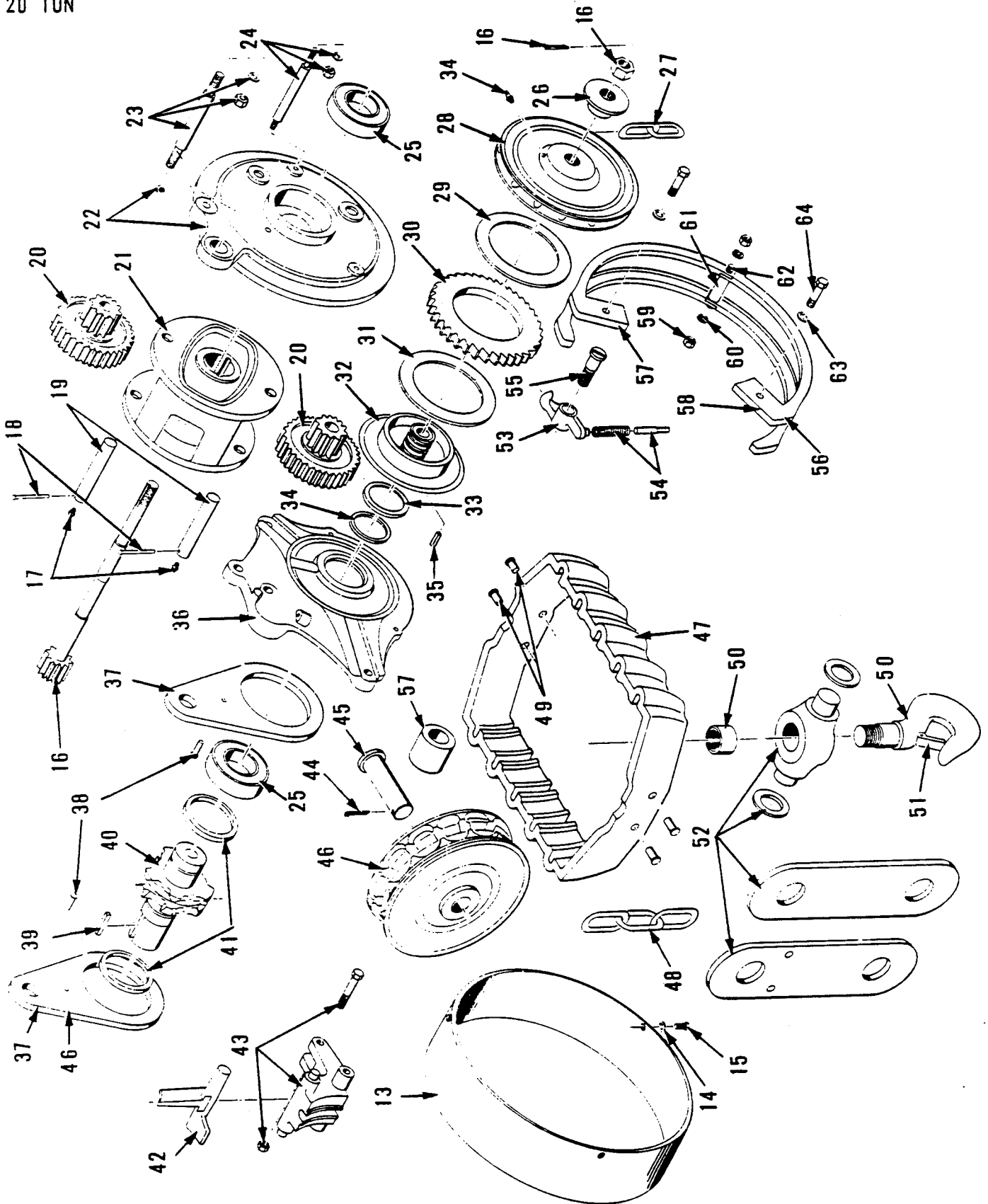


When Replacement Parts Are Needed, Order Only YALE® Factory Engineered Parts

REPAIR PARTS



MODEL BB LINK CHAIN HOIST
20 TON



When Replacement Parts Are Needed, Order Only YALE[®] Factory Engineered Parts



**MODEL BB LINK CHAIN HOIST
20 TON**

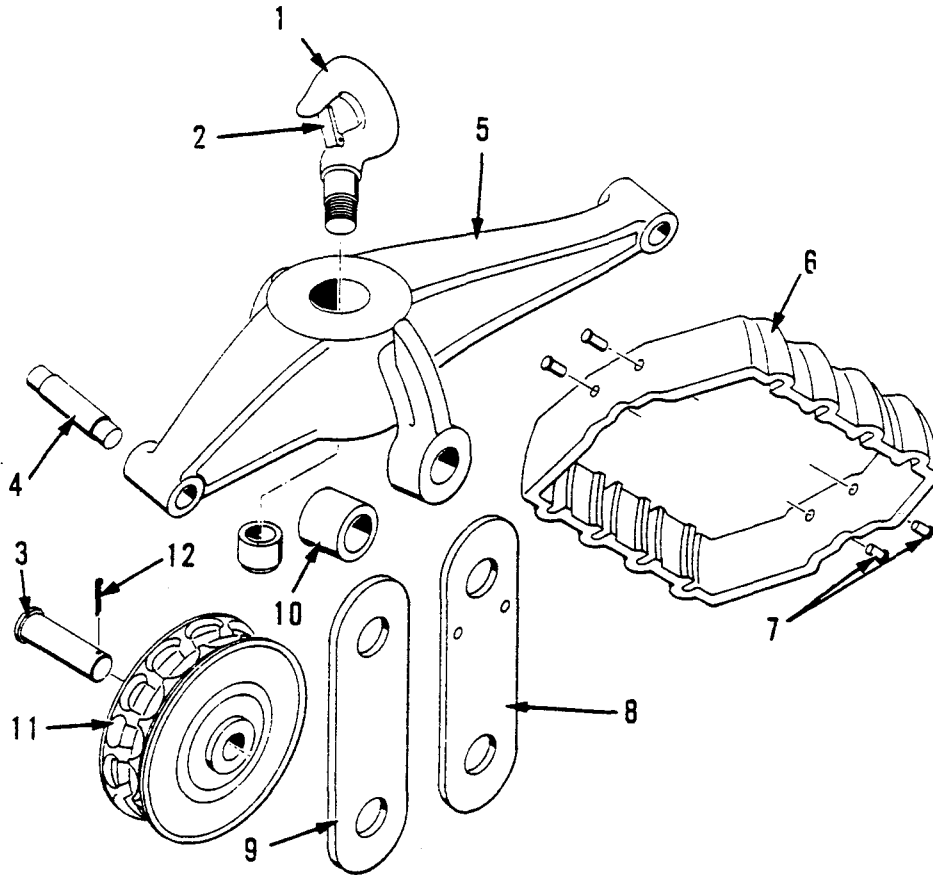
ITEM NUMBER	PART NUMBER	DESCRIPTION	QTY.
1	6472580-00	TOP HOOK AND NUT, W/SAFETY LATCH	1
2	0578140-00	SAFETY LATCH KIT	1
3	0381062-00	TOP CROSS PIN	2
4	0405036-00	TOP YOKE	1
5	0359025-00	TOP SEPARATOR	1
6	0154273-00	TOP SHEAVE COTTER PIN	2
7	0381025-00	TOP SHEAVE PIN	2
8	0392020-00	TOP SHEAVE	4
9	0386006-00	RIVET	4
10	0383032-00	TOP SIDE PLATE (Outer)	2
11	0383031-00	TOP SIDE PLATE (Inner)	2
12	0369007-00	TOP GUARD AND GUIDE	1
13	0361019-00	GEAR COVER	2
14	0401002-00	LOCKWASHER	6
15	0388002-00	SCREW	6
16	0382017-00	DRIVING PINION ASSEMBLY	2
17	0187541-00	ALEMITE FITTING	4
18	0187535-00	PINION CAGE PIN	4
19	0187519-00	GEAR AND PINION PIN	4
20	G368010-00	GEAR AND PINION ASSEMBLY	4
21	G354011-00	PINION CAGE ASSEMBLY	2
22	G368036-00	INTERNAL GEAR ASSEMBLY	2
23	G389035-00	LARGE SEPARATOR AND NUTS	2
24	G389039-00	SMALL SEPARATOR AND NUTS	2
25	2019232-00	BEARING	4
26	A237122-00	SERRATED COLLAR AND CHECKWASHER ASSEMBLY	2
27	0033730-00	HAND CHAIN (Specify Length)	1
28	G402086-00	HANDWHEEL ASSEMBLY	2
29	0401214-00	GALVANIZED IRON DISC	2
30	5024854-00	RATCHET DISC	2
31	0401240-00	RAYBESTOS DISC	2
32	0375013-00	DISC HUB	2
33	0386510-00	OUTER FELT RETAINER	2
34	0401045-00	OUTER FELT WASHER	2
35	0376009-00	DISC HUB KEY	2
36	G357021-00	RATCHET CASE	2
37	0383083-00	SUSPENSION PLATE	4
38	0386019-00	SUSPENSION RIVET	4
39	0376010-00	LOAD SHEAVE KEY	4
40	G392092-00	LOAD SHEAVE ASSEMBLY	2
41	5024994-00	INNER OIL RETAINER	4
42	0396032-00	STRIPPER	2
43	G370057-00	LOAD CHAIN GUIDE AND TAIL END BOLT	2
44	0154274-00	COTTER PIN, BOTTOM SHEAVE PIN	1
45	0381026-00	BOTTOM SHEAVE PIN	1
46	0392023-00	BOTTOM SHEAVE	5
47	0369008-00	BOTTOM GUARD AND GUIDE	1
48	0033746-00	LOAD CHAIN (Specify Length)	1
49	0386006-00	RIVET	4
50	6472580-00	BOTTOM HOOK AND NUT, W/SAFETY LATCH	1
51	0578140-00	SAFETY LATCH KIT	1
52	G383029-00	BOTTOM SIDE PLATE AND CROSSHEAD ASSEMBLY	1
53	0380004-00	PAWL	2
54	G387004-00	PAWL SPRING AND ROD	2
55	0397004-00	PAWL STUD	2
56	G370012-00	HAND CHAIN ASSEMBLY ITEMS 57 THROUGH 64)	2
57	0370011-00	HAND CHAIN GUIDE R.H.	2
58	0370012-00	HAND CHAIN GUIDE L.H.	2
59	0379017-00	THRU-BOLT NUT	4
60	0401004-00	LOCKWASHER	4
61	0389003-00	HAND CHAIN GUIDE SEPARATOR	2
62	0350021-00	HAND CHAIN GUIDE THRU-BOLT	2
63	0401005-00	LOCKWASHER	4
64	0350207-00	HAND CHAIN GUIDE TAP BOLT	4
65	0383056-00	GEAR COVER NAME PLATE (Not Shown)	2
66	G350041-00	LOAD CHAIN GUIDE BOLT (Not Shown)	2
67	6404381-00	ETCHED CAPACITY PLATE (Not Shown)	1
68	0386021-00	RIVET, CAPACITY PLATE (Not Shown)	4
69	0201505-00	BEARING FILLER WASHER (Not Shown)	4

When Replacement Parts Are Needed, Order Only YALE® Factory Engineered Parts

REPAIR PARTS



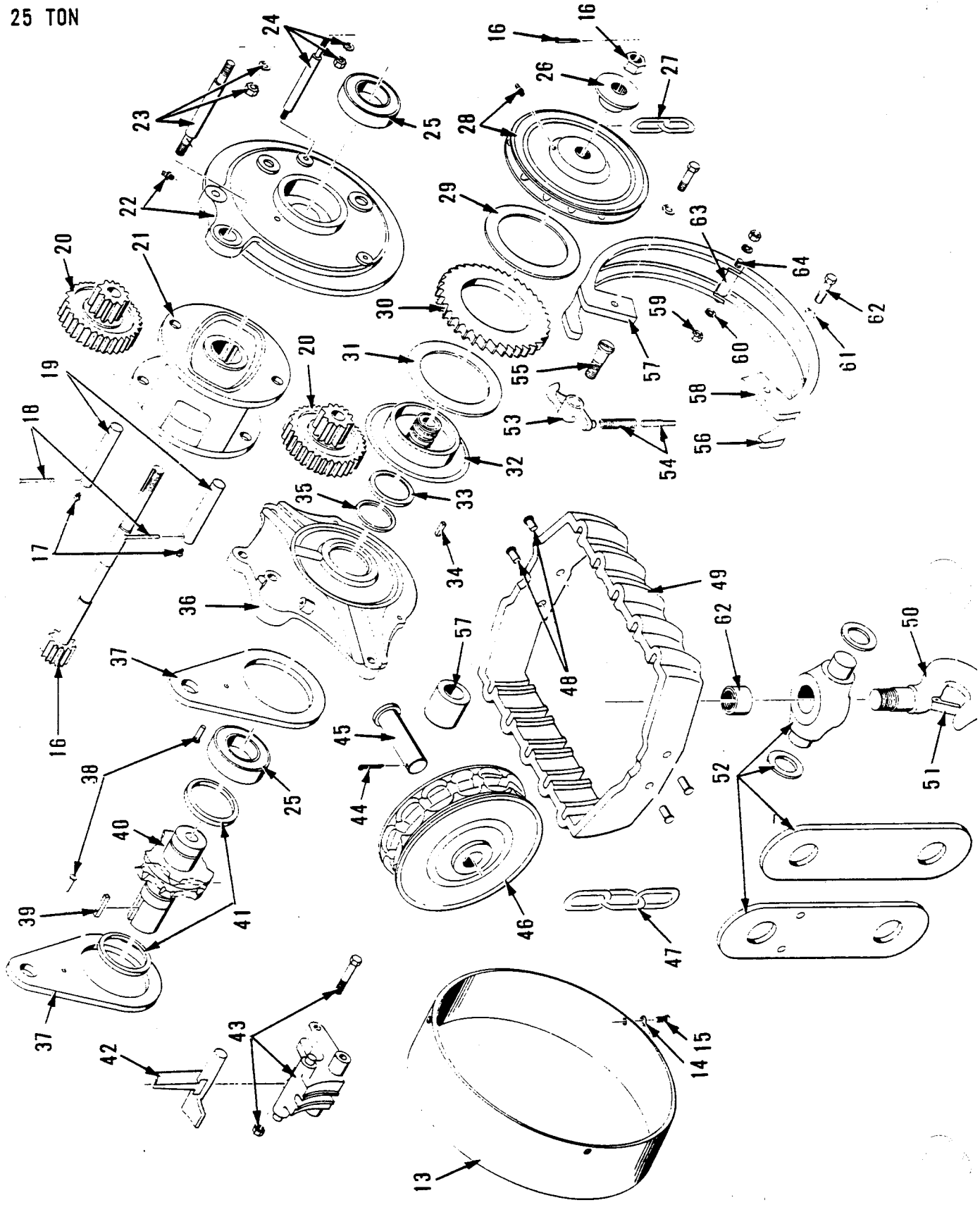
MODEL BB LINK CHAIN HOIST
25 TON



When Replacement Parts Are Needed, Order Only YALE[®] Factory Engineered Parts



MODEL BB LINK CHAIN HOIST
25 TON



When Replacement Parts Are Needed, Order Only YALE[®] Factory Engineered Parts

REPAIR PARTS



MODEL BB LINK CHAIN HOIST

5 TON

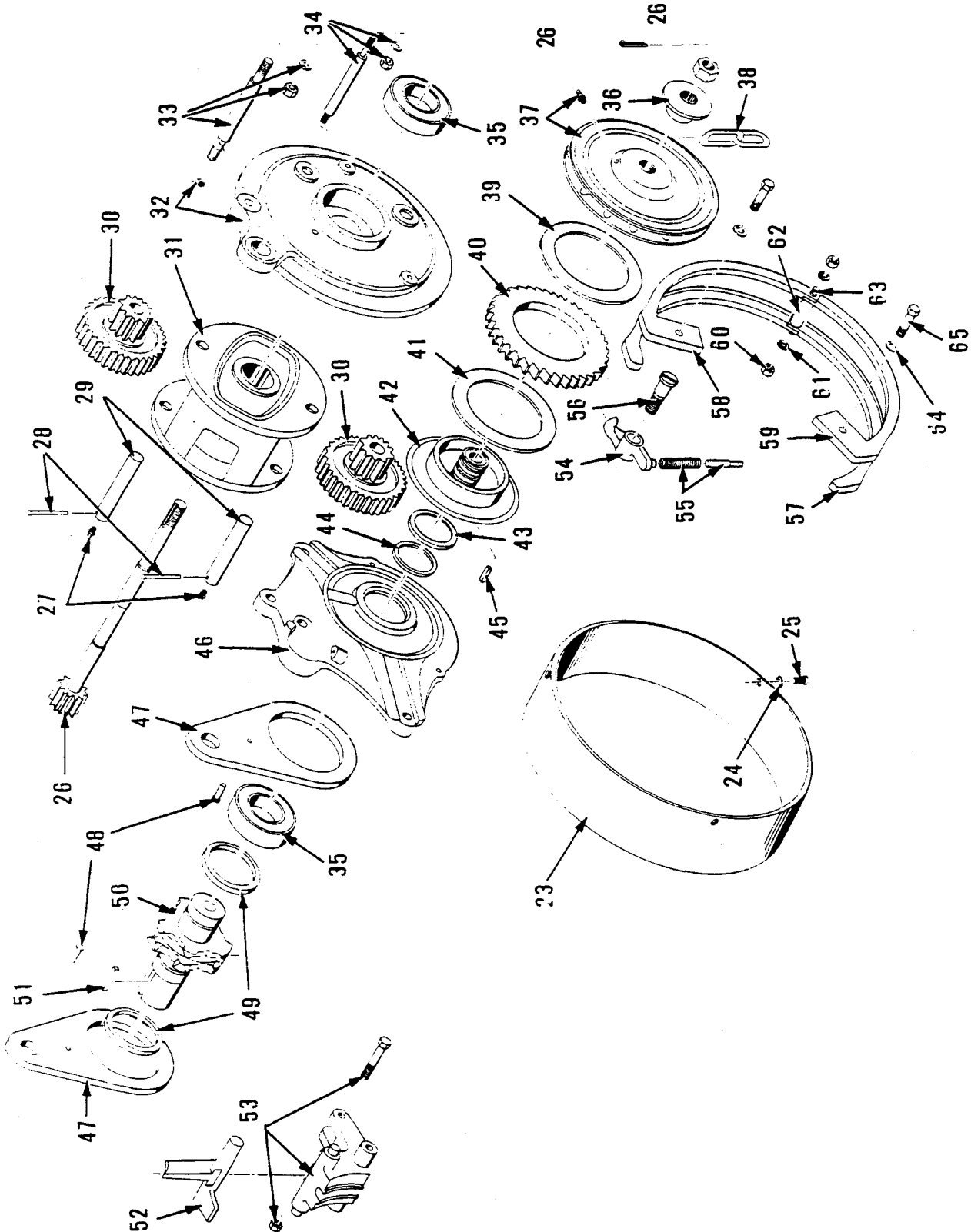
ITEM NUMBER	PART NUMBER	DESCRIPTION	QTY
1	6472590-00	TOP HOOK AND NUT W/SAFETY LATCH	1
2	0578140-00	SAFETY LATCH KIT	1
3	0381069-00	TOP SHEAVE PIN	2
4	0381062-00	TOP CROSS PIN	2
5	0405039-00	TOP YOKE	1
6	0369007-00	TOP GUARD AND GUIDE	1
7	0386006-00	RIVET	1
8	0383032-00	TOP SIDE PLATE (Outer)	2
9	0383031-00	TOP SIDE PLATE (Inner)	2
10	0359025-00	TOP SEPARATOR	1
11	0392020-00	TOP SHEAVE	1
12	0154273-00	COTTER PIN (Top Sheave)	2
13	0361019-00	GEAR COVER	2
14	0401002-00	LOCKWASHER	6
15	0388002-00	SCREW	8
16	G382032-00	DRIVING PINION ASSEMBLY	8
17	0187541-00	ALEMITE FITTING	6
18	0187535-00	PINION CAGE PIN	4
19	0187519-00	GEAR AND PINION PIN	4
20	G368010-00	GEAR AND PINION ASSEMBLY	4
21	G354011-00	PINION CAGE ASSEMBLY	1
22	G368036-00	INTERNAL GEAR ASSEMBLY	2
23	G389035-00	LARGE SEPARATOR AND NUTS	2
24	G389039-00	SMALL SEPARATOR AND NUTS	2
25	2019232-00	BEARING	4
26	A237122-00	SERRATED COLLAR	2
27	0033730-00	HAND CHAIN (Specify Length)	2
28	G402086-00	HANDWHEEL ASSEMBLY	2
29	0401214-00	GALVANIZED IRON DISC	2
30	5024854-00	RATCHET DISC	2
31	0401240-00	RAYBESTOS DISC	2
32	0375013-00	DISC HUB	2
33	0386510-00	OUTER FELT RETAINER	2
34	0376009-00	DISC HUB KEY	2
35	0401045-00	OUTER FELT WASHER	2
36	G357021-00	RATCHET CASE	2
37	0383083-00	SUSPENSION PLATE	4
38	0386019-00	RIVET	4
39	0376010-00	LOAD SHEAVE KEY	4
40	G392092-00	LOAD SHEAVE ASSEMBLY	2
41	5024994-00	INNER OIL RETAINER	4
42	0396032-00	STRIPPER	2
43	G370057-00	LOAD CHAIN GUIDE AND TAIL END BOLT	2
44	0154274-00	COTTER PIN (Bottom Sheave)	2
45	0381070-00	BOTTOM SHEAVE PIN	1
46	0392023-00	BOTTOM SHEAVE	5
47	0033746-00	LOAD CHAIN (Specify Length)	1
48	0386006-00	RIVET	4
49	0369008-00	BOTTOM GUARD AND GUIDE	1
50	6472590-00	BOTTOM HOOK AND NUT, W/SAFETY LATCH	1
51	0578140-00	SAFETY LATCH KIT	1
52	6472610-00	BOTTOM SIDE PLATE AND CROSSHEAD ASSEMBLY	1
53	0380004-00	PAWL	2
54	G387004-00	PAWL SPRING AND ROD	1
55	0397004-00	PAWL STUD	2
56	G370012-00	HAND CHAIN GUIDE ASSEMBLY (Includes Items 57 Through 64)	2
57	0370011-00	HAND CHAIN GUIDE R.H.	2
58	0370012-00	HAND CHAIN GUIDE L.H.	2
59	0379017-00	THRU-BOLT NUT	4
60	0401004-00	LOCKWASHER	4
61	0401005-00	LOCKWASHER	4
62	0350207-00	HAND CHAIN GUIDE TAP BOLT	4
63	0389003-00	HAND CHAIN GUIDE SEPARATOR	2
64	0350021-00	HAND CHAIN GUIDE THRU-BOLT	2
65	G350041-00	LOAD CHAIN GUIDE BOLT (Not Shown)	2
66	0383056-00	GEAR COVER NAME PLATE (Not Shown)	2
67	6404381-00	ETCHED CAPACITY PLATE (Not Shown)	1
68	0386021-00	RIVET, CAPACITY PLATE (Not Shown)	4
69	0201505-00	BEARING FILLER WASHER (Not Shown)	4

When Replacement Parts Are Needed, Order Only YALE[®] Factory Engineered Parts

REPAIR PARTS



MODEL BB LINK CHAIN HOIST
30 TON



When Replacement Parts Are Needed, Order Only YALE[®] Factory Engineered Parts



MODEL BB LINK CHAIN HOIST
30 TON

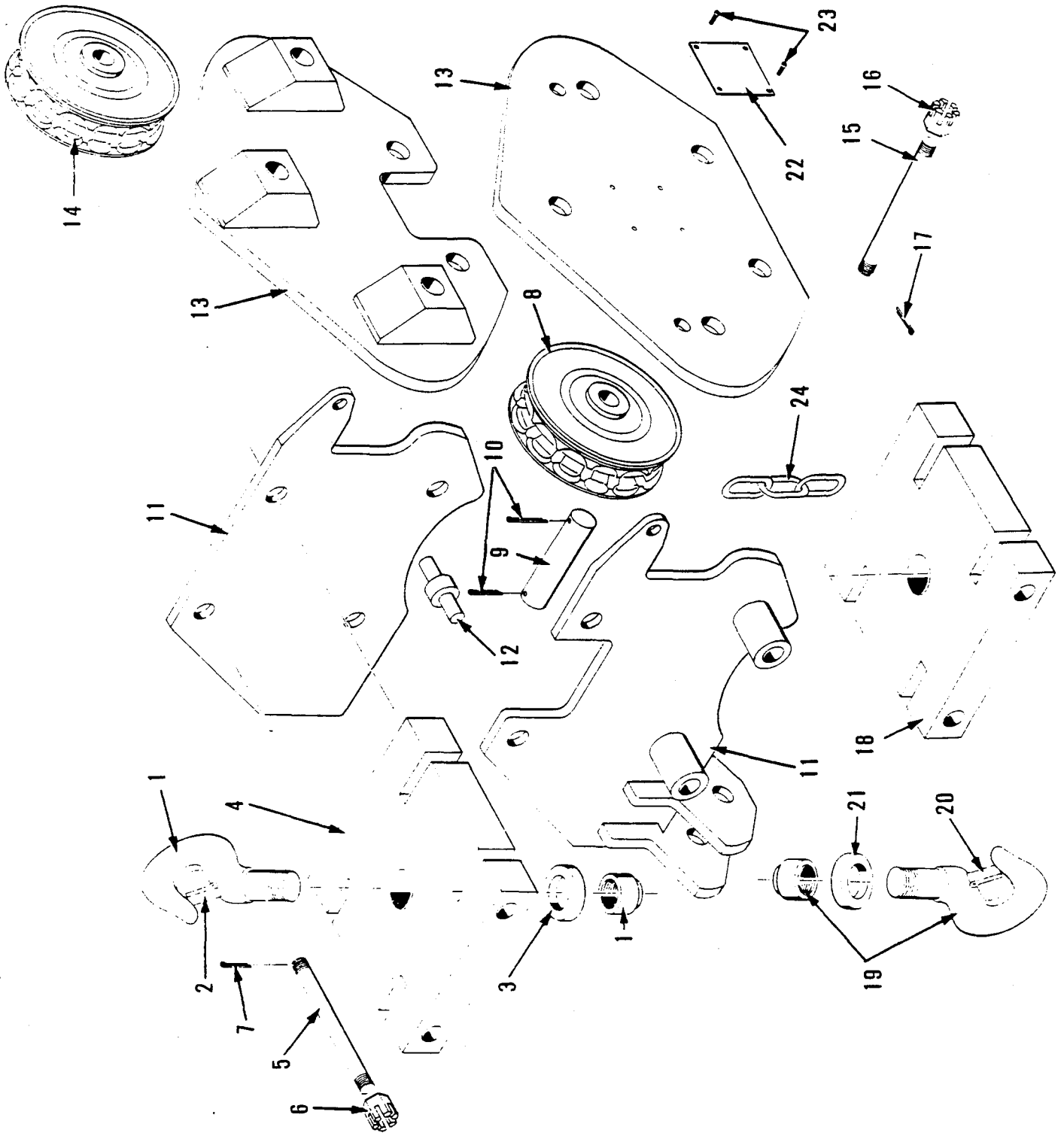
ITEM NUMBER	PART NUMBER	DESCRIPTION	QTY.
1	6472680-00	TOP HOOK AND NUT WITH SAFETY LATCH	1
2	0647386-00	SAFETY LATCH KIT	1
3	0610908-00	TOP SUPPORT PLATE	1
4	6404597-00	TOP SIDE PLATE AND LOAD CHAIN GUIDE ASSEMBLY	1
5	0204408-00	HOIST SUPPORT CROSS PIN	2
6	0204462-00	THRU-BOLT	4
7	0204519-00	SLOTTED NUT	8
8	0154277-00	COTTER PIN	8
9	0204458-00	SHEAVE ASSEMBLY	8
10	0204443-00	SHEAVE PIN	2
11	0154294-00	COTTER PIN	4
12	6404587-00	BOTTOM SIDEPLATE AND LOAD CHAIN GUIDE ASSEMBLY	1
13	0204462-00	THRU-BOLT	5
14	0204519-00	SLOTTED NUT	10
15	0154277-00	COTTER PIN	10
16	0204458-00	SHEAVE ASSEMBLY	7
17	0610908-00	BOTTOM SUPPORT PLATE	1
18	6472680-00	BOTTOM HOOK AND NUT WITH SAFETY LATCH	1
19	0647386-00	SAFETY LATCH KIT	1
20	6404381-00	CAPACITY PLATE	1
21	0149896-00	CAPACITY PLATE RIVETS	4
22	0033746-00	LOAD CHAIN (Specify Length)	1
23	0361019-00	GEAR COVER	2
24	0401002-00	LOCKWASHER	6
25	0388002-00	SCREW	6
26	G382032-00	DRIVING PINION ASSEMBLY	2
27	0187541-00	ALEMITE FITTING	4
28	0187535-00	PINION CAGE PIN	4
29	0187519-00	GEAR AND PINION PIN	4
30	G368010-00	GEAR AND PINION ASSEMBLY	4
31	G354011-00	PINION CAGE	2
32	G368036-00	INTERNAL GEAR	2
33	G389035-00	LARGE SEPARATOR AND NUTS	2
34	G389039-00	SMALL SEPARATOR AND NUTS	2
35	2019232-00	BEARING	4
36	A237122-00	SERRATED COLLAR AND CHECKWASHER ASSEMBLY	2
37	G402086-00	HANDWHEEL ASSEMBLY	2
38	0033730-00	HAND CHAIN (Specify Length)	2
39	0401214-00	GALVANIZED IRON DISC	2
40	5024854-00	RATCHET DISC	2
41	0401240-00	RAYBESTOS DISC	2
42	0375013-00	DISC HUB	2
43	0386510-00	OUTER FELT RETAINER	2
44	0401045-00	OUTER FELT WASHER	2
45	0376009-00	DISC HUB KEY	2
46	G357021-00	RATCHET CASE ASSEMBLY	2
47	0383083-00	SUSPENSION PLATE	4
48	0386019-00	SUSPENSION RIVET	4
49	5024994-00	INNER OIL RETAINER	4
50	G392092-00	LOAD SHEAVE ASSEMBLY	2
51	0376010-00	LOAD SHEAVE KEY	4
52	0396032-00	STRIPPER	2
53	G370057-00	LOAD CHAIN GUIDE AND TAIL END BOLT	2
54	0380004-00	PAWL	2
55	G387004-00	PAWL SPRING AND ROD	2
56	0397004-00	PAWL STUD	2
57	G370012-00	HAND CHAIN GUIDE ASSEMBLY (Includes Items 58 Through 65)	2
58	0370011-00	HAND CHAIN GUIDE R.H.	2
59	0370012-00	HAND CHAIN GUIDE L.H.	2
60	0379017-00	THRU-BOLT NUT	4
61	0401004-00	LOCKWASHER	4
62	0389003-00	HAND CHAIN GUIDE SEPARATOR	2
63	0350021-00	HAND CHAIN GUIDE THRU-BOLT	2
64	0401005-00	LOCKWASHER	4
65	0350207-00	HAND CHAIN GUIDE TAP BOLT	4
66	G350041-00	LOAD CHAIN GUIDE BOLT AND NUT (Not Shown)	2
67	0383056-00	GEAR COVER NAME PLATE (Not Shown)	2
68	0201505-00	BEARING FILLER WASHER (Not Shown)	4

When Replacement Parts Are Needed, Order Only YALE[®] Factory Engineered Parts

REPAIR PARTS



MODEL BS LINK CHAIN HOIST
40 TON



When Replacement Parts Are Needed, Order Only YALE[®] Factory Engineered Parts

MODEL BS LINK CHAIN HOIST
40 TON



When Replacement Parts Are Needed, Order Only YALE[®] Factory Engineered Parts

REPAIR PARTS

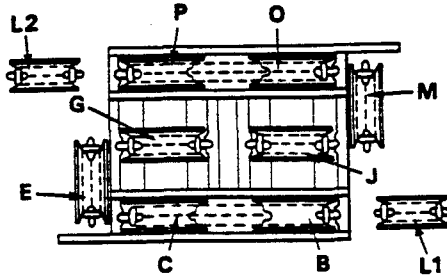


MODEL BS LINK CHAIN HOIST
40 TON

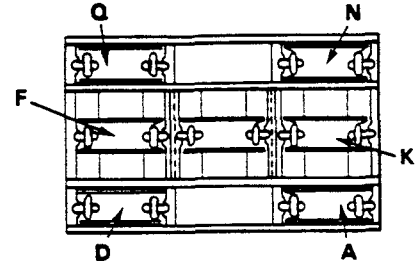
ITEM NUMBER	PART NUMBER	DESCRIPTION	QTY.
1	6472750-00	TOP HOOK AND NUT WITH SAFETY LATCH	1
2	0647337-00	SAFETY LATCH KIT	1
3	0610912-00	HOOK COLLAR	1
4	0610913-00	TOP SUPPORT PLATE	1
5	0203252-00	THRU-BOLT	4
6	0203255-00	SLOTTED NUT	8
7	0154277-00	COTTER PIN	8
8	0203249-00	SHEAVE ASSEMBLY	8
9	0203239-00	SHEAVE PIN	2
10	0154294-00	COTTER PIN	4
11	6404637-00	TOP SIDE PLATE ASSEMBLY	1
12	0203226-00	HOIST CROSS PIN	2
13	6404627-00	BOTTOM SIDE PLATE ASSEMBLY	1
14	0203249-00	SHEAVE ASSEMBLY	7
15	0203252-00	THRU-BOLT	5
16	0203255-00	SLOTTED NUT	10
17	0154277-00	COTTER PIN	10
18	0610913-00	BOTTOM SUPPORT PLATE	1
19	6472750-00	BOTTOM HOOK AND NUT WITH LATCH	1
20	0647337-00	SAFETY LATCH KIT	1
21	0610912-00	HOOK COLLAR	1
22	6404381-00	CAPACITY PLATE	1
23	0149896-00	RIVET	4
24	0033748-00	LOAD CHAIN (Specify Length)	1
25	0361034-00	GEAR COVER	2
26	0150268-00	LOCKWASHER	6
27	0148691-00	GEAR COVER SCREW	6
28	G382028-00	DRIVING PINION ASSEMBLY	2
29	0187541-00	ALEMITE FITTING	8
30	0187535-00	PINION CAGE PIN	8
31	0187519-00	GEAR AND PINION PIN (2nd Reduction)	4
31A	0187524-00	GEAR AND PINION PIN (1st Reduction)	4
32	0637338-00	GEAR AND PINION (2nd Reduction)	4
33	G354016-00	PINION CAGE ASSEMBLY	2
34	0203792-00	GEAR AND PINION (1st Reduction)	4
35	G368052-00	INTERNAL GEAR	2
36	G389050-00	LARGE SEPARATOR AND NUTS	2
37	G389049-00	SMALL SEPARATOR AND NUTS	2
38	0351015-00	BEARING	4
39	A237122-00	SERRATED COLLAR AND CHECKWASHER ASSEMBLY	2
40	0033730-00	HAND CHAIN (specify Length)	2
41	G402095-00	HAND WHEEL ASSEMBLY	2
42	0401214-00	GALVANIZED IRON DISC	2
43	0365004-00	RATCHET DISC	2
44	0401240-00	RAYBESTOS DISC	2
45	0375013-00	DISC HUB	2
46	0386513-00	OUTER FELT RETAINER	2
47	0376009-00	DISC HUB KEY	2
48	0401049-00	OUTER FELT WASHER	2
49	G357026-00	RATCHET CASE ASSEMBLY	2
50	0383114-00	SUSPENSION PLATE	4
51	0386033-00	SUSPENSION PLATE RIVET	4
52	5026004-00	INNER OIL RETAINER	4
53	0376010-00	LOAD SHEAVE KEY	4
54	G392106-00	LOAD SHEAVE ASSEMBLY	2
55	0022670-00	STRIPPER	2
56	G370096-00	LOAD CHAIN GUIDE AND TAIL END BOLT	2
57	0380004-00	PAWL	2
58	G387004-00	PAWL SPRING AND ROD	2
59	0397004-00	PAWL STUD	2
60	G370012-00	HAND CHAIN GUIDE ASSEMBLY (Includes Items 61 Through 68)	2
61	0370011-00	HAND CHAIN GUIDE R.H.	2
62	0370012-00	HAND CHAIN GUIDE L.H.	2
63	0397017-00	THRU-BOLT NUT	4
64	0401004-00	LOCKWASHER	4
65	G389003-00	HAND CHAIN GUIDE SEPARATOR	2
66	0350021-00	HAND CHAIN GUIDE THRU-BOLT	2
67	0401005-00	LOCKWASHER	4
68	0350207-00	HAND CHAIN GUIDE TAP BOLT	4
69	G350043-00	LOAD CHAIN GUIDE BOLT AND NUT (Not Shown)	2
70	0383113-00	GEAR COVER NAME PLATE (Not Shown)	2
71	0384021-00	TOP CROSSHEAD HOLE PLUG, INTERNAL GEAR SIDE (Not Shown)	2

When Replacement Parts Are Needed, Order Only YALE[®] Factory Engineered Parts

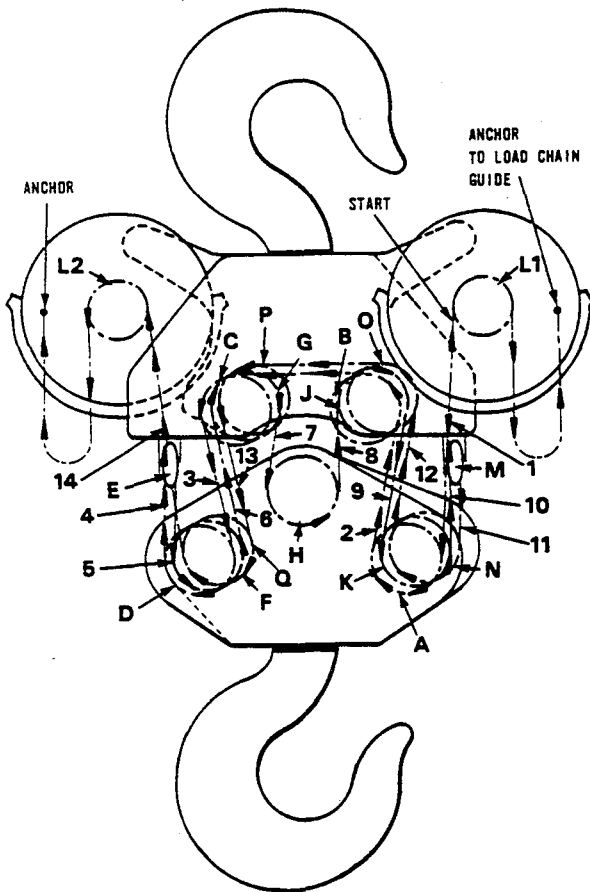
**30 TON MODEL BB HAND CHAIN HOIST
DIRECTIONS FOR APPLYING LOAD CHAIN**



PLAN OF TOP SHEAVES



PLAN OF BOTTOM SHEAVES



Chain must have vertical link at each end in order to fasten the ends correctly, and must be reeved around sheaves without twisting. Hang up top block and place bottom block with sheaves vertical on the floor underneath. Reeve on chain in direction shown by arrows in illustration and described below.

Stand on side facing hand wheel of one hoist unit. Take end of chain with first link vertical. This is done so link will lie in the groove of the sheave and not on the flat of the sheave pocket. Place on load sheave of first hoist unit from left to right over sheave in between load sheave "L1" and load chain guide and fasten end link with bolt to load chain guide.

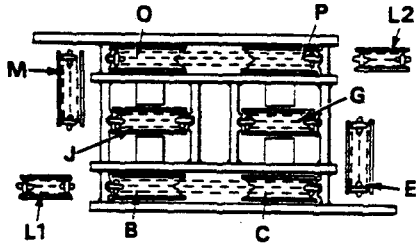
Operate hoist unit running load chain over load sheave "L1" until the other end hangs vertical. Take the other end of chain and reeve it around bottom sheave "A" from right to left up and over top sheave "B" from right to left straight across to top sheave "C", down and around bottom sheave "D" up and over top sheave "E", down and around bottom sheave "F", up and over top sheave "G", down and around bottom sheave "H", up and over top sheave "J", down and around bottom sheave "K", up and over top sheave "M", then down and around bottom sheave "N", up and over top sheave "O", and then straight across to top sheave "P", down and around bottom sheave "Q", and then up and over load sheave "L2" of the second hoist unit in between load sheave and load chain guide, and fasten end link with bolt to load chain guide.

When Replacement Parts Are Needed, Order Only YALE[®] Factory Engineered Part

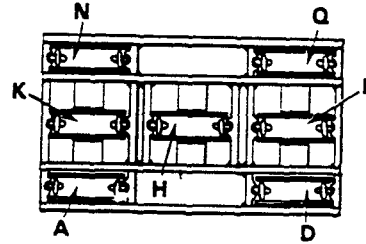
GENERAL INFORMATION



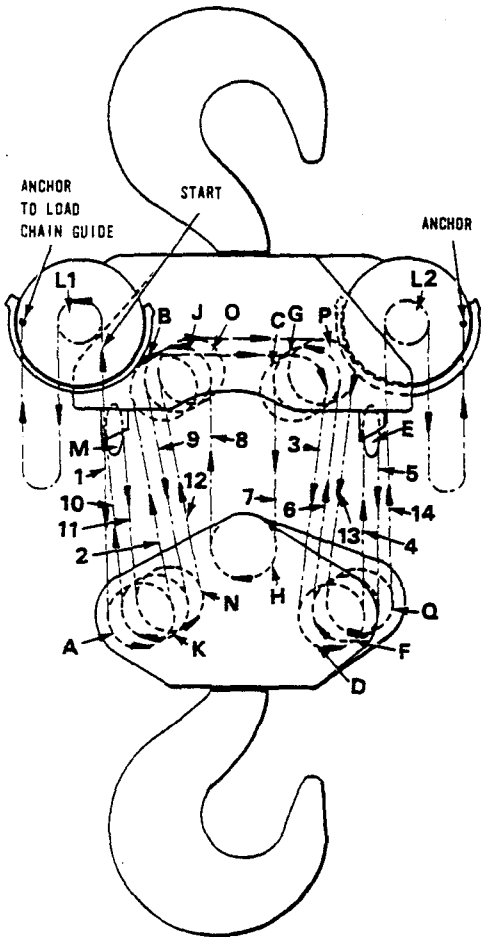
40 TON MODEL BS HAND CHAIN HOIST DIRECTIONS FOR APPLYING LOAD CHAIN



PLAN FOR TOP SHEAVES



PLAN FOR BOTTOM SHEAVES



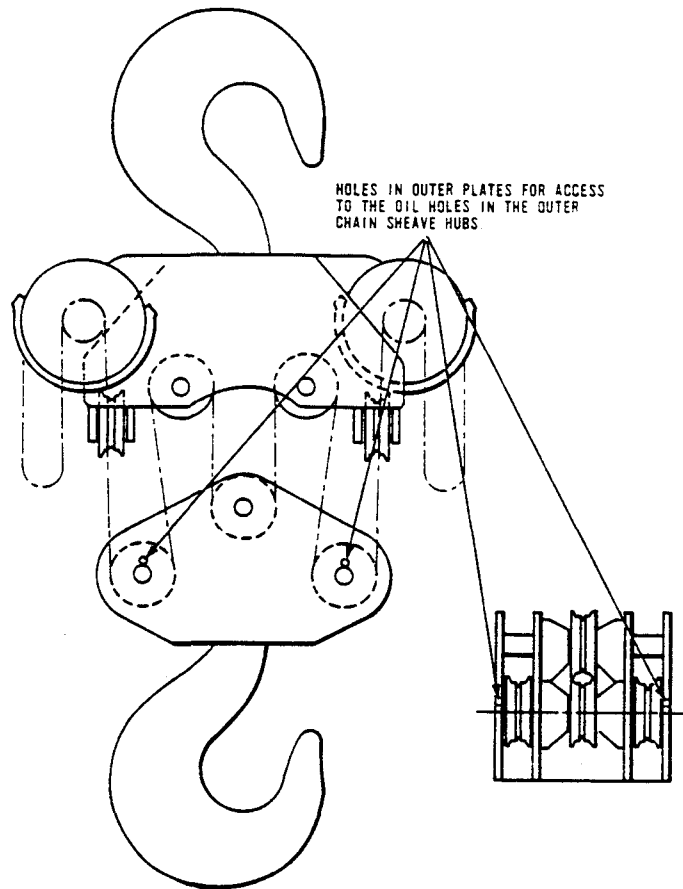
Chain must have vertical link at each end in order to fasten the ends correctly, and must be reeved around sheaves without twisting. Hang up top block and place bottom block with sheaves vertical on the floor underneath. Reeve on chain in direction shown by arrows in illustration and described below.

Stand on side facing hand wheel of one hoist unit. Take end of chain with first link vertical. This is done so link will lie in the groove of the sheave and not on the flat of the sheave pocket. Place on load sheave of first hoist unit from right to left over sheave in between load sheave "L1" and load chain guide and fasten end link with bolt to load chain guide.

Operate hoist unit running load chain over load sheave "L" until the other end hangs vertical. Take the other end of chain and reeve it around bottom sheave "A" from left to right up and over top sheave "B" from left to right straight across to top sheave "C", down and around bottom sheave "D", up and over top sheave "E", down and around bottom sheave "F", up and over top sheave "G", down and around bottom sheave "H", up and over top sheave "J", down and around bottom sheave "K", up and over top sheave "M", then down and around bottom sheave "N", up and over top sheave "O", and then straight across to top sheave "P", down and around bottom sheave "Q", and then up and over load sheave "L2" of the second hoist unit in between load sheave and load chain guide, and fasten end link with bolt to load chain guide.

When Replacement Parts Are Needed, Order Only YALE[®] Factory Engineered Parts

LUBRICATION



HOISTING UNITS AND LOAD CHAINS: Lubricate as per oiling instructions- Page 3,4,5.

CHAIN SHEAVES: Eight (8) in the top block and seven (7) in the bottom block with oil holes in the hubs. Apply oil in these holes and also between ends of hubs and side plates at least once a week.

When Replacement Parts Are Needed, Order Only YALE[®] Factory Engineered Parts



INSPECTION RECORD

 DATE PERSON INSPECTING HOIST
 COMMENTS _____

 DATE PERSON INSPECTING HOIST
 COMMENTS _____

 DATE PERSON INSPECTING HOIST
 COMMENTS _____

 DATE PERSON INSPECTING HOIST
 COMMENTS _____

 DATE PERSON INSPECTING HOIST
 COMMENTS _____

 DATE PERSON INSPECTING HOIST
 COMMENTS _____

 DATE PERSON INSPECTING HOIST
 COMMENTS _____

 DATE PERSON INSPECTING HOIST
 COMMENTS _____

 DATE PERSON INSPECTING HOIST
 COMMENTS _____

 DATE PERSON INSPECTING HOIST
 COMMENTS _____

When Replacement Parts Are Needed, Order Only YALE[®] Factory Engineered Parts

Yale®

HOISTS

Warranty

Every hoist is thoroughly inspected and tested prior to shipment from the factory. Should any problems develop, return the complete hoist prepaid to your nearest Yale Authorized Warranty Repair Station.

This warranty does not apply where: (1) deterioration is caused by normal wear, abuse, improper or inadequate power supply, eccentric or side loading, overloading, chemical or abrasive actions, improper maintenance or excessive heat; (2) problems resulted from repairs, modifications or alterations made by persons other than factory or Duff-Norton personnel;

(3) the hoist has been abused or damaged as a result of an accident; (4) repair parts or accessories other than those supplied by Duff-Norton are used on the hoist. Equipment and accessories not of the seller's manufacture are warranted only to the extent that they are warranted by the manufacturer. EXCEPT AS STATED HEREIN, DUFF-NORTON MAKES NO OTHER WARRANTIES, EXPRESS OR IMPLIED, INCLUDING WARRANTIES OF MERCHANTABILITY AND FITNESS FOR A PARTICULAR PURPOSE.

Improvements:

Yale is constantly striving to improve its product. Changes in design and improvements will be made whenever the manufacturer believes the efficiency of the product will be improved without incurring any obligation to incorporate such improvements in any products which have been shipped or are in service.

Important Notice:

Use of chain, wire rope or replacement parts other than as supplied as original equipment on Yale hoists may lead to dangerous operation. Accordingly, Yale cannot be responsible in such cases and our warranty should be voided.

For more information write Yale Hoists, Forrest City, Arkansas 72335.



Yale® Hoists
Highway 1 North
P.O. Box 1000
Forrest City, Arkansas 72335
Customer Service Phone (800) 999-6318
Fax (800) 766-0223

Copyright 1991
Yale Hoists

3448
Printed in U.S.A.