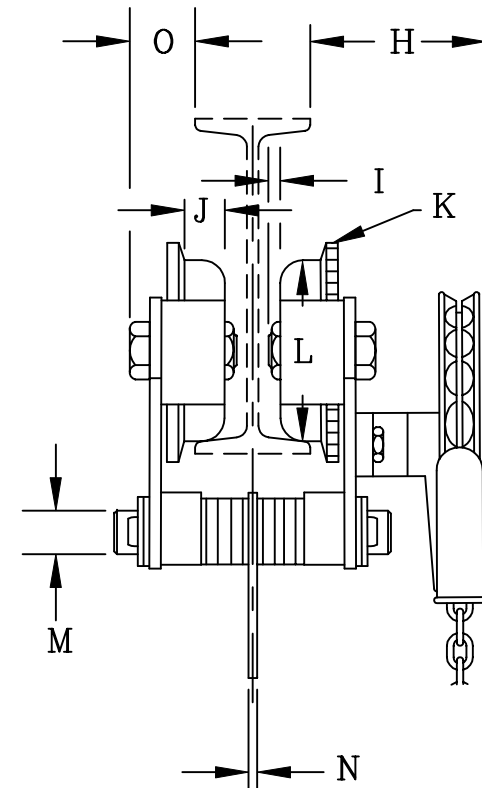
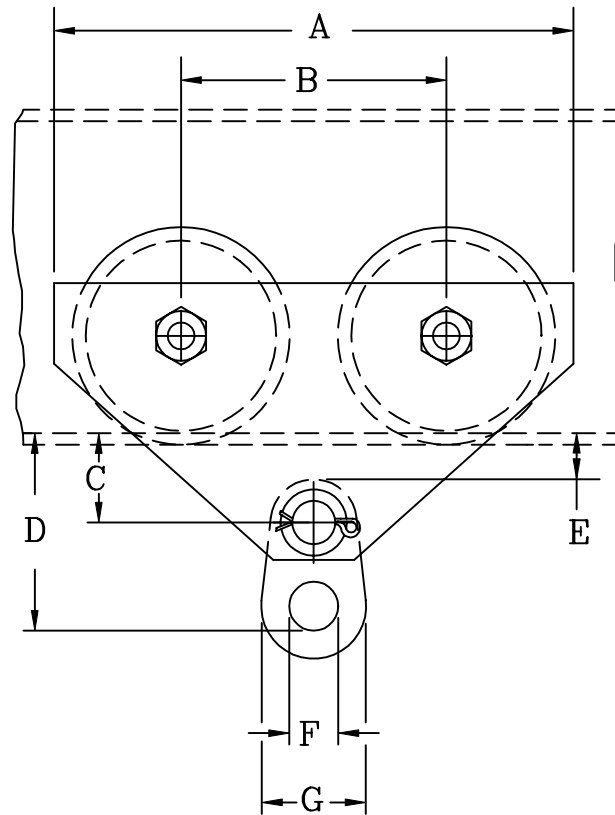


NO. REQ.

<u>A</u>	18 3/4"	
<u>B</u>	8 1/2"	
* <u>C</u>	3 1/4"	
* <u>D</u>	8 5/8"	
* <u>E</u>	1 1/4"	
<u>F</u>	3"	
<u>G</u>	5 1/2"	
** <u>H</u>	8 1/8"	
<u>I</u>	1/8"	
<u>J</u>	1 3/8"	Tread width
<u>K</u>	8"	Flange O.D.
<u>L</u>	6 3/8"	Tread O.D.
<u>M</u>	2"	
<u>N</u>	5/8"	
<u>O</u>	2 5/8"	



* To wheel running surface of beam.

** "H" applies to geared units only - For plain units o Dim. is the same for both sides of trolley.

THIS UNIT IS ADJUSTABLE FROM 4" - 7", MIN. BEAM HEIGHT 8"

CUSTOMER MUST TAKE INTO CONSIDERATION FLANGE WIDTH AND THICKNESS.

MK.	REVISIONS	CK-DATE

5 & 6 TON 1641/1642 TROLLEY

CHESTER HOIST

LISBON, OHIO

DR. RLB	TR.	CK.	AP.
SCALE NONE		DATE	
REF. DWG. NO. 1600-5			
Dwg. No. CD088			