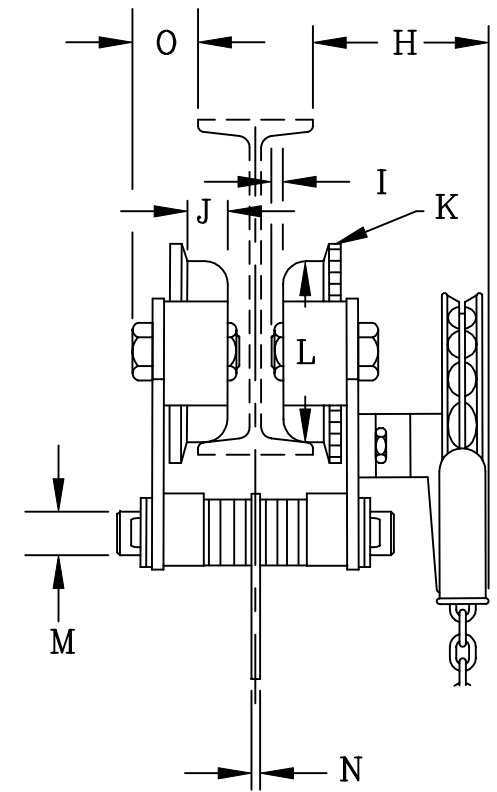
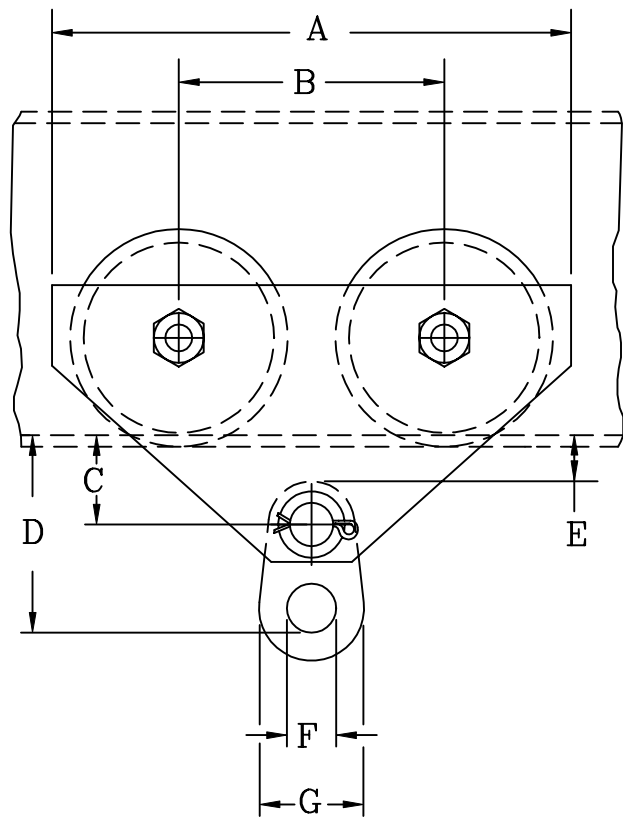


NO. REQ.

- A 18 3/4"
- B 8 1/2"
- *C 3 1/4"
- *D 8 3/8"
- *E 1 1/4"
- F 2 3/4"
- G 4 3/4"
- **H 8 1/8"
- I 1/8"
- J 1 3/8" Tread width
- K 8" Flange O.D.
- L 6 3/8" Tread O.D.
- M 2"
- N 5/8"
- O 2 5/8"



* To wheel running surface of beam.
 ** "H" applies to geared units only - For plain units o Dim. is the same for both sides of trolley.
 THIS UNIT IS ADJUSTABLE FROM 4" - 7", MIN. BEAM HEIGHT 8"
 CUSTOMER MUST TAKE INTO CONSIDERATION FLANGE WIDTH AND THICKNESS.

		4 TON 1641/1642 TROLLEY	DR. RLB TR. CK. AP.
			SCALE NONE DATE
			REF. DWG. NO. 1600-4
		CHESTER HOIST LISBON, OHIO	Dwg. No. CD087
MK.	REVISIONS	CK-DATE	