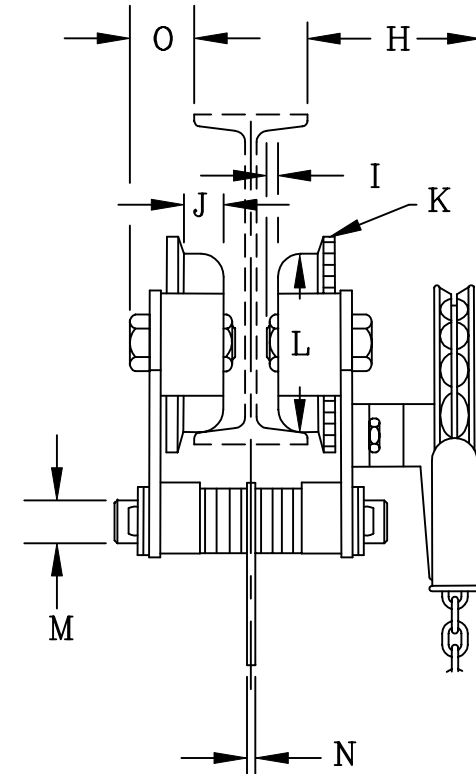
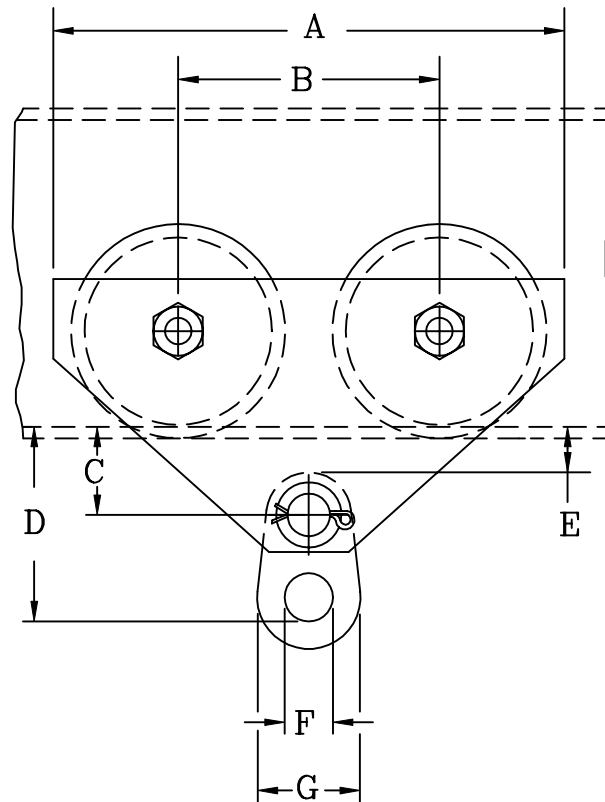


NO. REQ.

A	15 5/8"	
B	7 5/8"	
*C	2 5/8"	
*D	6 7/8"	
*E	1 1/8"	
F	2 1/4"	
G	4"	
**H	6 1/8"	
I	0"	
J	1 1/8"	Tread width
K	6"	Flange O.D.
L	4 1/2"	Tread O.D.
M	1 1/2"	
N	1/2"	
O	2 1/8"	



* To wheel running surface of beam.

** "H" applies to geared units only - For plain units o Dim. is the same for both sides of trolley.

THIS UNIT IS ADJUSTABLE FROM 3.33" - 6.25", MIN. BEAM HEIGHT 6"

CUSTOMER MUST TAKE INTO CONSIDERATION FLANGE WIDTH AND THICKNESS.

		3 TON 1641/1642 TROLLEY		DR. RLB	TR.	CK.	AP.
		CHESTER HOIST LISBON, OHIO		SCALE NONE		DATE	
				REF. DWG. NO. 1600-3		Dwg. No. CD086	
MK.	REVISIONS	CK-DATE					