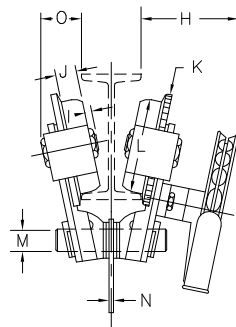
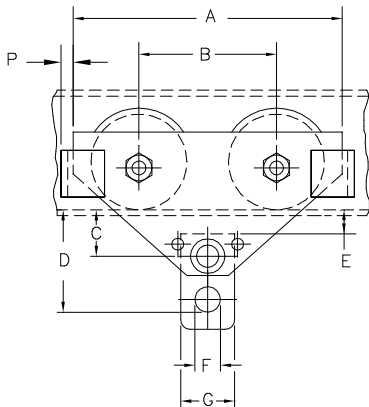


A 28 1/4"
 B 14"
 *C 5 13/16"
 *D 17 1/4"
 *E 2 1/8"
 F 4"
 G 10"
 **H 14 1/2"
 I 5/16"
 J 2" Tread width
 K 13 1/2" Flange O.D.
 L 11 3/4" Tread O.D.
 M 3 1/4"
 N 1 3/4"
 O 7"
 P 1 1/2"



SPARK RESISTANT FEATURES:

BRONZE WHEELS
 ALUMINUM HAND CHAIN AND GUARD (GEARED UNITS)
 OPTIONAL STAINLESS STEEL DROP STOPS SHOWN

* To wheel running surface of beam.
 THIS UNIT IS ADJUSTABLE FROM S18" TO S24"X 121# BEAM.
 CUSTOMER MUST TAKE INTO CONSIDERATION FLANGE WIDTH AND THICKNESS.

THIS DRAWING SUPPLIED FOR DIMENSIONAL PURPOSES ONLY
 VISUAL DETAILS MAY VARY SLIGHTLY FROM UNIT SUPPLIED
 HOWEVER DIMENSIONS SHOWN APPLY

25 TON PT TROLLEY

CHESTER HOIST
 LISBON, OHIO

DR. RLB	TR.	CK.	AP.
SCALE NONE		DATE 3/9/09	
REF. DWG. NO.		25PT	

Dwg. No. C-50116

MK.	REVISIONS	CK-DATE
-----	-----------	---------