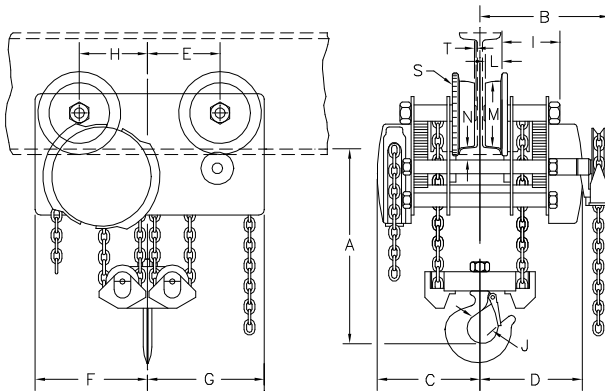


- A 20 1/4"
- * B 19 1/4"
- C 15 5/16"
- D 15 5/16"
- F 11 7/8"
- F 19 1/4"
- G 19"
- H 11 7/8"
- L 10 7/16"
- J 3 3/8"
- L 2"
- M 11 3/4"
- ** N 1 3/16"
- S 13 1/2"
- T 1 1/2"

Johnson
**SPARK
 RES'T.
 UNIT**



* Applies to geared units only
 ** At closest point of contact
 This unit is beam specific (non-adjustable)
 Dimensions shown are accurate for
 "S" & "W" beam shapes

Dim. "A" assumes a 3/4" thick beam flange with 1/4" clearance between hook shank and bottom of beam. If your beam flange is thicker, add this difference to the "A" dim.

**THIS DRAWING SUPPLIED FOR DIMENSIONAL PURPOSES ONLY
 VISUAL DETAILS MAY VARY SLIGHTLY FROM UNIT SUPPLIED
 HOWEVER DIMENSIONS SHOWN APPLY**

HOIST PC#4

		20 TON LOW HEADROOM HOIST	DR.RLB	TR.	CK.	AP.
			SCALE NONE		DATE 9/11/07	
		CHESTER HOIST	REF. DWG. NO.		Johnson	
		LISBON, OHIO	Dwg. No. CN241			
MK.	REVISIONS	CK-DATE				