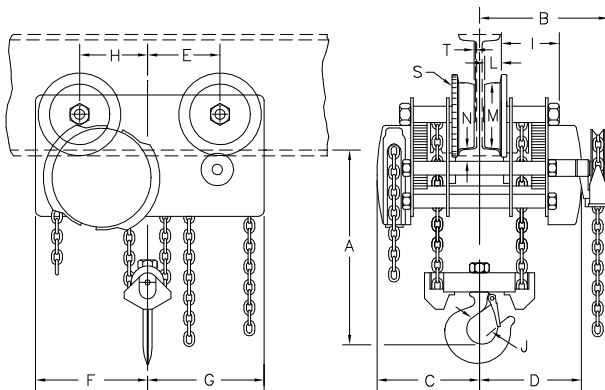


# SPARK RES'T. UNIT

- A 16 1/8"
- \* B 16 1/2"
- C 13 1/8"
- D 13 1/8"
- E 8 1/2"
- F 15 5/8"
- G 14 3/8"
- H 9 3/4"
- I 8 13/16"
- J 3 1/4"
- L 1 3/4"
- M 9 3/4"
- \*\* N 1 1/4"
- S 11 11/16"
- T 3/8"



\* Applies to geared units only  
 \*\* At closest point of contact  
 This unit is beam specific (non-adjustable)  
 Dimensions shown are accurate for  
 'S' & 'W' beam shapes

Dim. 'A' assumes a 3/4" thick beam flange with 1/4" clearance between hook shank and bottom of beam. If your beam flange is thicker, add this difference to the 'A' dim.

THIS DRAWING SUPPLIED FOR DIMENSIONAL PURPOSES ONLY  
 VISUAL DETAILS MAY VARY SLIGHTLY FROM UNIT SUPPLIED  
 HOWEVER DIMENSIONS SHOWN APPLY

HOIST PC#1

MK.	REVISIONS	CK-DATE

12 TON LOW HEADROOM HOIST

**CHESTER HOIST**  
LISBON, OHIO

DR. RLB	TR.	CK.	AP.
SCALE NONE		DATE 9/11/07	
REF. DWG. NO.			
Dwg. No. CN239			