

Drawing number**05 438 32 13 0**

Stromlaufplan

| | | |
|----------------------------------|--------------------------------|--------------|
| Control / Steuerung | SH5 | |
| Hoist Motor / Hubmotor | 12/2H71 | |
| Type / Ausführung | B (control for crane customer) | |
| Overload Device / Lastwächter | SLE3 | |
| Voltage / Spannung | 208-230V / 110/120V 60Hz | |
| Fuses / Sicherungen | F41-43 | 10A Class CC |
| | main fuse | 60A Class J |
| by customer / bauseits | control fuse | 2.5A |

| Document Dokument | Sheet Blatt |
|---|----------------|
| BILL OF MATERIALS GERÄTELISTE | 1 (1) |
| POWER SUPPLY STROMVERSORGUNG | 1 (9) |
| HOIST HUBWERK | 2 (9) |
| TROLLEY FAHRWERK | 5 (9) |
| TERMINAL DIAGRAM X16 KLEMMENPLAN X16 | 7 (9) |
| LOCATION DIAGRAM A16 AUFBAUPLAN A16 | 8 (9) |
| CABEL DIAGRAM KABELPLAN | 9 (9) |

| | | | |
|--------------|-------------------|-----------------------|--------------|
| Date / Datum | Dept. / Abteilung | Designer / Bearbeiter | Page / Seite |
| 13.03.2019 | G-Plattform | Schnell | 1/1 |

Drawing number

05 438 32 13 0

Stromlaufplan

BILL OF MATERIALS

| Lokcat. Ort | Refer. Referenz | Qty. Anzahl | Spezifikation Typ | Discription Benennung | Fabricate Hersteller | Item Code Sach-Nr. |
|----------------|--------------------|----------------|----------------------|--|-------------------------|-----------------------|
| +A16 | -A275 | 1 | SLE3 110/120V | OVERLOAD DEVICE LASTWÄCHTER | | 579 770 0 |
| +A16 | -F41-F43 | 3 | USBCC1 | FUSE HOLDER SICHERUNGSTRENNER | LINDNER | 510 078 0 |
| | | 3 | ATDR10 10x38 10A | FUSE LINK SCHMELZEINSATZ | LINDNER | 510 084 0 |
| +A16 | -G21 | 1 | 20/017.000.2 1.8A | RECTIFIER GLEICHRICHTER | MAYR | 04 430 02 88 0 |
| +A16 | -K20 | 1 | LC1-D50A G7 | CONTACTOR SCHÜTZ | SCHNEIDER | 582 135 0 |
| +A16 | -K23-K24 | 2 | LC1-D50A G7 | CONTACTOR SCHÜTZ | SCHNEIDER | 582 135 0 |
| | | 2 | LAD-N11G | AUXILIARY CONTACT BLOCK HILFSSCHALTERBLOCK | SCHNEIDER | 582 069 0 |
| +A16 | -K25 | 1 | LC1-D80008 G7 | CONTACTOR SCHÜTZ | SCHNEIDER | 582 140 0 |
| +A16 | -K29 | 1 | LC1-D09 G7 | CONTACTOR SCHÜTZ | SCHNEIDER | 582 041 0 |
| +A16 | -K41-K42 | 1 | LC2-K09 G7 | CONTACTOR SCHÜTZ | SCHNEIDER | 579 472 0 |
| +A16 | -K45 | 1 | LC1-K09008 G7 | CONTACTOR SCHÜTZ | SCHNEIDER | 579 473 0 |
| +A16 | -Q29 | 1 | GV2 RT20 | CIRCUIT BREAKER LEISTUNGSSCHALTER | SCHNEIDER | 579 508 0 |
| | | 1 | GV AN20 | AUXILIARY CONTACT BLOCK HILFSSCHALTERBLOCK | SCHNEIDER | 579 505 0 |
| +A16 | -S220 | 1 | GE-S125.04 | GEAR-TYPE LIMIT SWITCH GETRIEBEENDSCHALTER | STROMAG | 580 005 0 |
| +A16 | -S260/-S261 | 2 | E 215-16-11B | PUSH BUTTON DRUCKTASTER | ABB | 578 553 0 |
| +A16 | -X16 | 1 | WPE35 | PE-TERMINAL SCHUTZLEITERKLEMME | WEIDMUELLER | 519 519 0 |
| | | 3 | WDU35 | TERMINAL KLEMME | WEIDMUELLER | 519 514 0 |
| | | 1 | WPE10 | PE-TERMINAL SCHUTZLEITERKLEMME | WEIDMUELLER | 519 517 0 |
| | | 12 | WDU10 | TERMINAL KLEMME | WEIDMUELLER | 519 512 0 |
| | | 2 | WDK2.5N PE | PE-TERMINAL SCHUTZLEITERKLEMME | WEIDMUELLER | 519 525 0 |
| | | 11 | WDK2.5N | TERMINAL KLEMME | WEIDMUELLER | 519 524 0 |
| +TR1 | -B275 | 1 | | LOAD SENSOR LASTSENSOR | | |
| +TR1 | -M21 | 1 | | HOIST MOTOR HUBMOTOR | | |
| +TR1 | -M41 | 1 | | TROLLEY MOTOR KATZFAHRMOTOR | | |
| +TR1 | -S228 | 1 | | BLOCK OPERATED UPPER LIMT SWITCH ENDSCHALTER (US) | | |
| +TR1 | -S420 | 1 | | TROLLEY LIMIT SWITCH KATZFAHRENDSCHALTER | | |

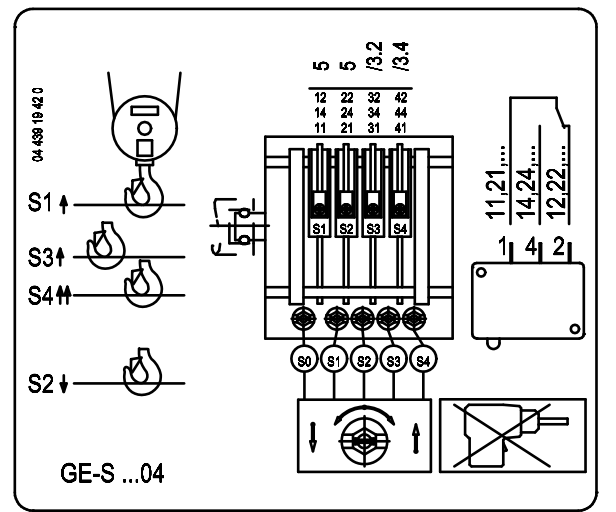
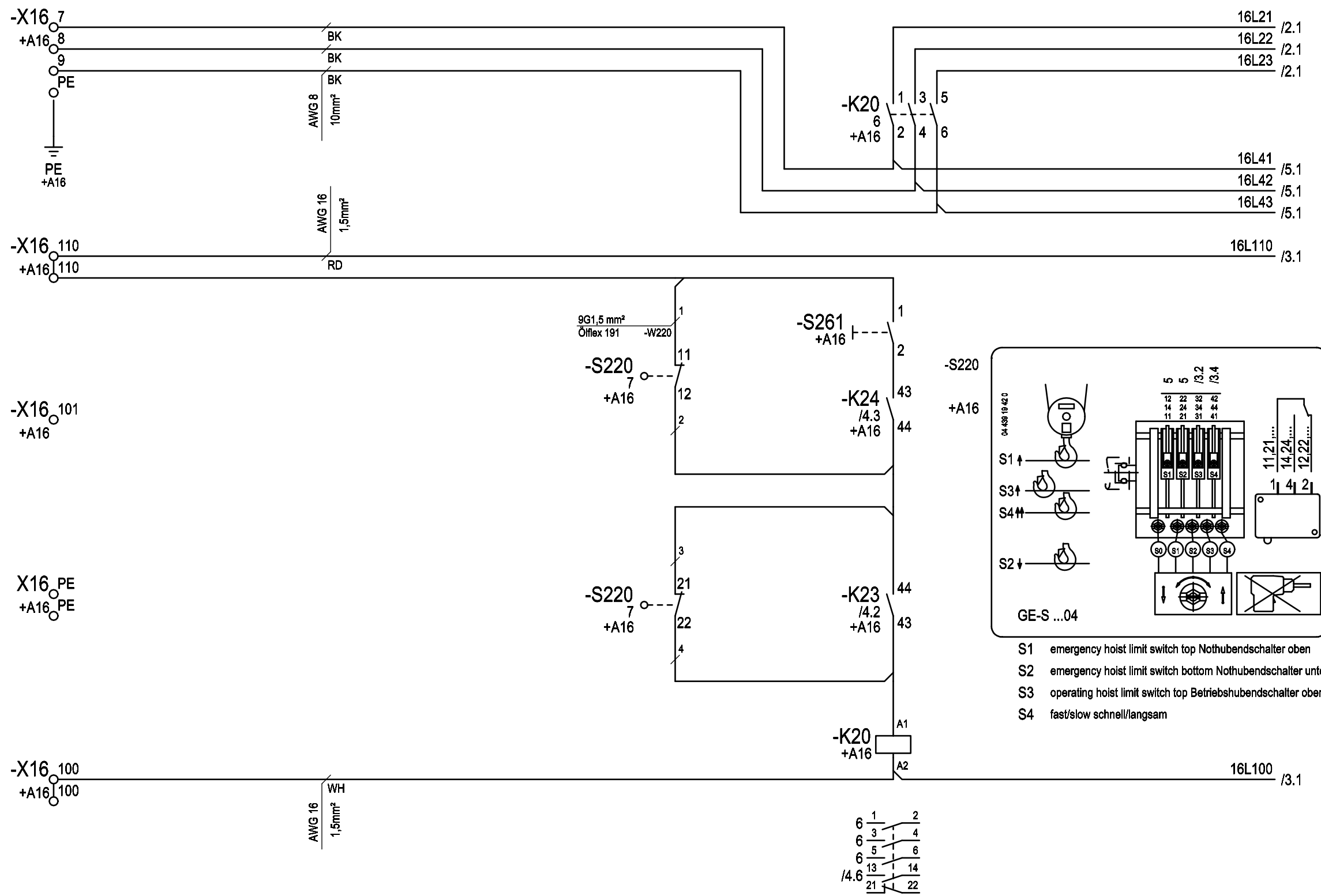
| | | | |
|--------------|-------------------|-----------------------|--------------|
| Date / Datum | Dept. / Abteilung | Designer / Bearbeiter | Page / Seite |
| 13.03.2019 | G-Platform | Schnell | 1/1 |

power supply
Stromzuführung

emergency hoist limit switch
Nothubendschalter

main fuse
Anschlussicherung
60A Class J

control fuse
Steuersicherung
2.5A



- S1 emergency hoist limit switch top Nothubendschalter oben
- S2 emergency hoist limit switch bottom Nothubendschalter unten
- S3 operating hoist limit switch top Betriebshubendschalter oben
- S4 fast/slow schnell/langsam

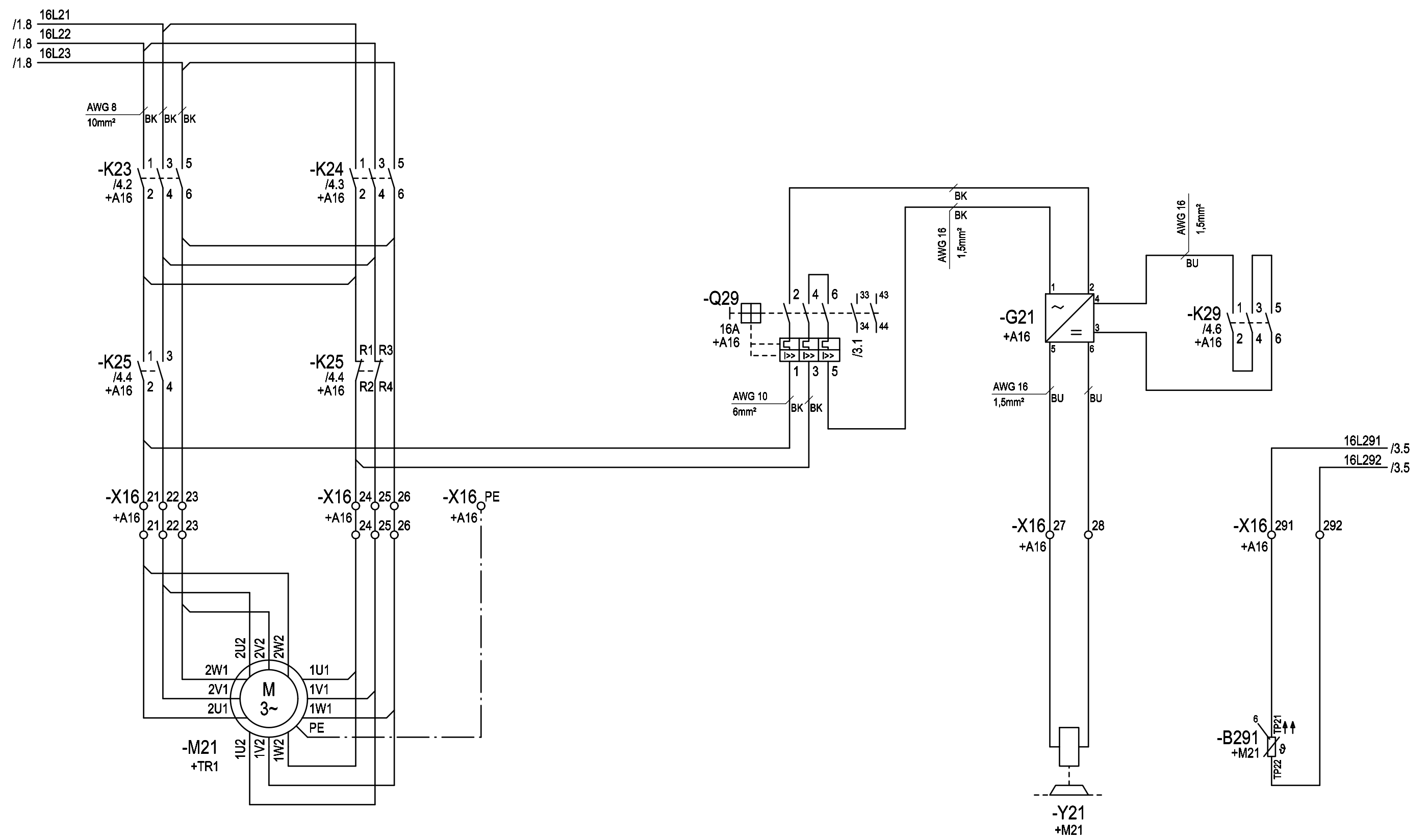
| Changes | Date | Name | Date | Name |
|---------|----------|---------|------------|---------|
| | 13.03.19 | Schnell | 23.10.17 | Huhnd. |
| | | | 24.10.17 | Schnell |
| | | | 24.10.17 | Huhnd. |
| Rev. | | Plot | 13.03.2019 | Rep. by |

| | |
|----------|--------|
| Rep. for | Origin |
|----------|--------|

| | | | |
|--|--|-----------|-------------------|
| Copyright according to DIN ISO 16016 | circuit diagram SH5 H71 type B SLE3 power supply | Order No. | Serial No. xxxxxx |
|--|--|-----------|-------------------|

| | |
|----------------|---------|
| = | Page: 1 |
| + | of: 9 |
| 05 438 32 13 0 | |

hoist motor
Hubmotor



| Changes | Date | Name | Date | Name |
|---------|----------|---------|------------|----------|
| | 13.03.19 | Schnell | 23.10.17 | Huhnd. |
| | | | 24.10.17 | Schnell |
| | | | 24.10.17 | Huhnd. |
| Rev. | | Plot | 13.03.2019 | Rep. by |
| | | | | Rep. for |
| | | | | Origin |

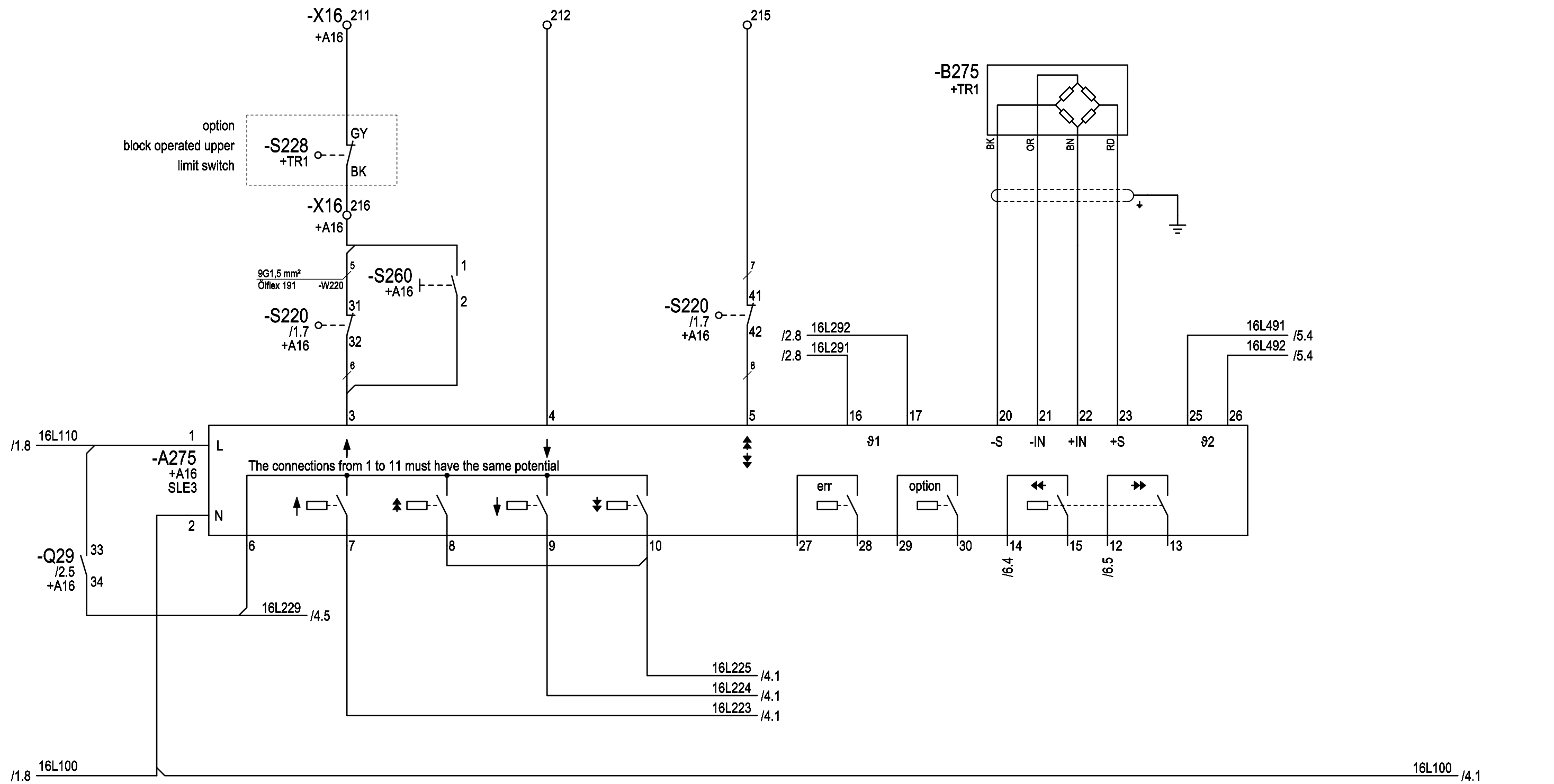
| | | |
|--|--|------------------|
| Copyright according to DIN ISO 16016 | circuit diagram SH5 H71 type B SLE3 hoisting | = |
| | | + |
| Order No. | Serial No. xxxxxx | 05 438 32 13 0 |
| | | Page: 2 of: 9 |

hoisting
heben

lowering
senken

fast
schnell

temperature / load monitoring
Temperatur- / Lastüberwachung



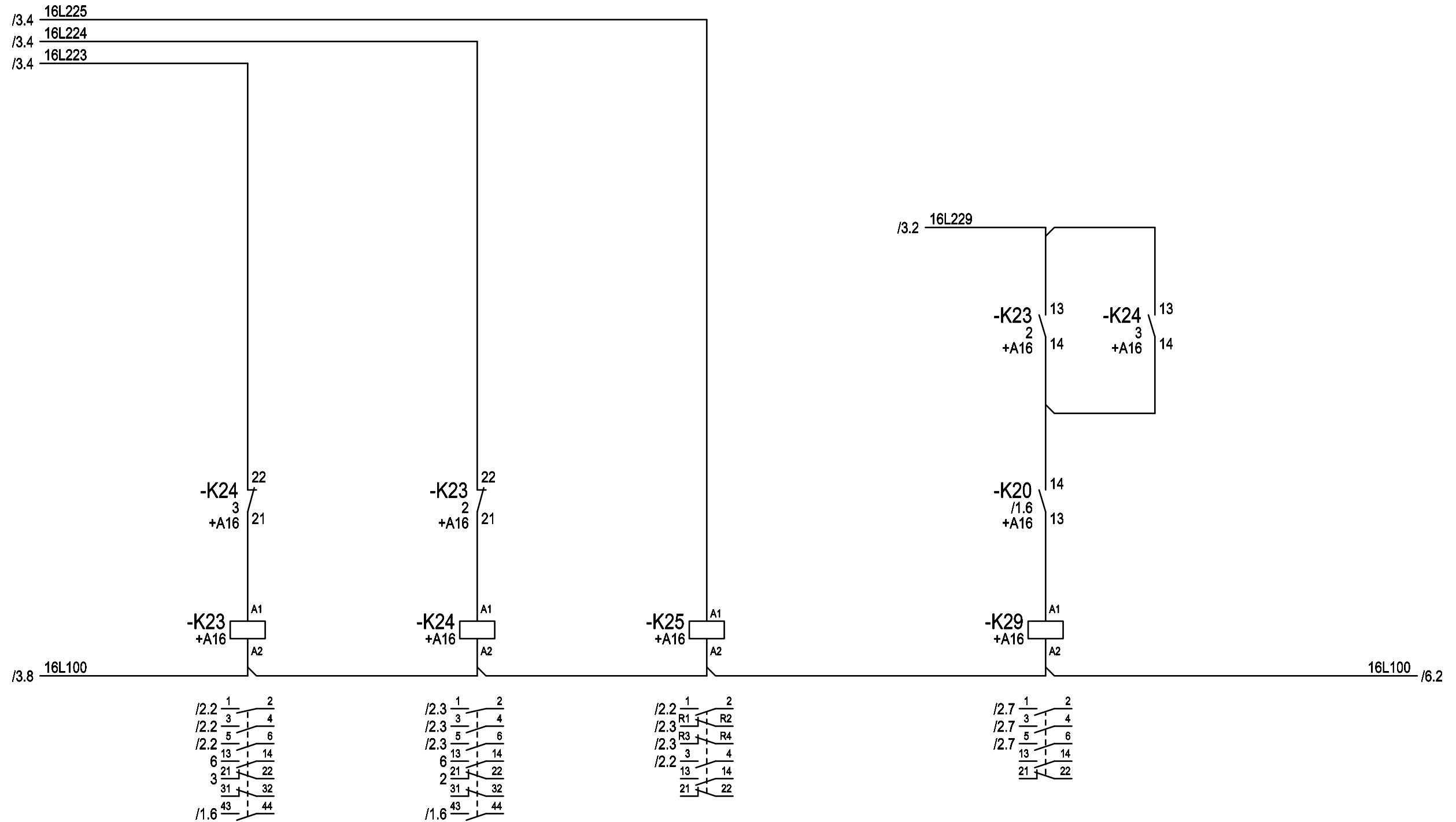
| Changes | Date | Name | Date | Name |
|---------|----------|---------|------------|----------|
| | 13.03.19 | Schnell | 23.10.17 | Huhnd. |
| | | | 24.10.17 | Schnell |
| | | | 24.10.17 | Huhnd. |
| Rev. | | Plot | 13.03.2019 | Rep. by |
| | | | | Rep. for |
| | | | | Origin |

| | | |
|--------------------------------------|--|----------------|
| Copyright according to DIN ISO 16016 | circuit diagram SH5 H71 type B SLE3 hoisting | = |
| | | + |
| Order No. | Serial No. xxxxxx | 05 438 32 13 0 |
| | | Page: 3 of: 9 |

hoisting
heben

lowering
senken

fast
schnell



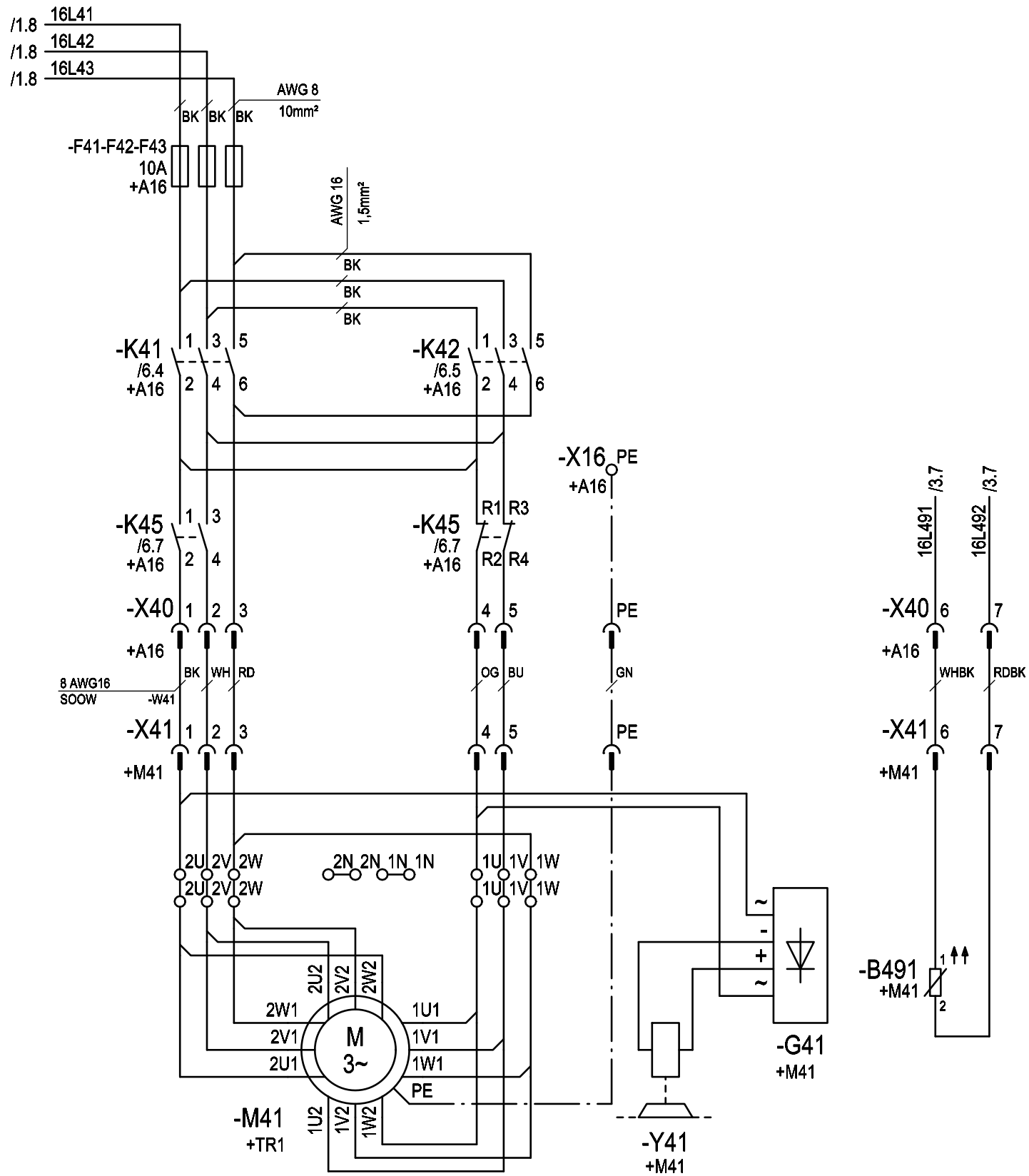
| Rev. | Changes | Date | Name | Date | Name |
|------|---------|----------|---------|------------|---------|
| | | 13.03.19 | Schnell | 23.10.17 | Huhnd. |
| | | | Proved | 24.10.17 | Schnell |
| | | | Release | 24.10.17 | Huhnd. |
| | | | Plot | 13.03.2019 | |

| | | |
|---------|----------|--------|
| Rep. by | Rep. for | Origin |
|---------|----------|--------|

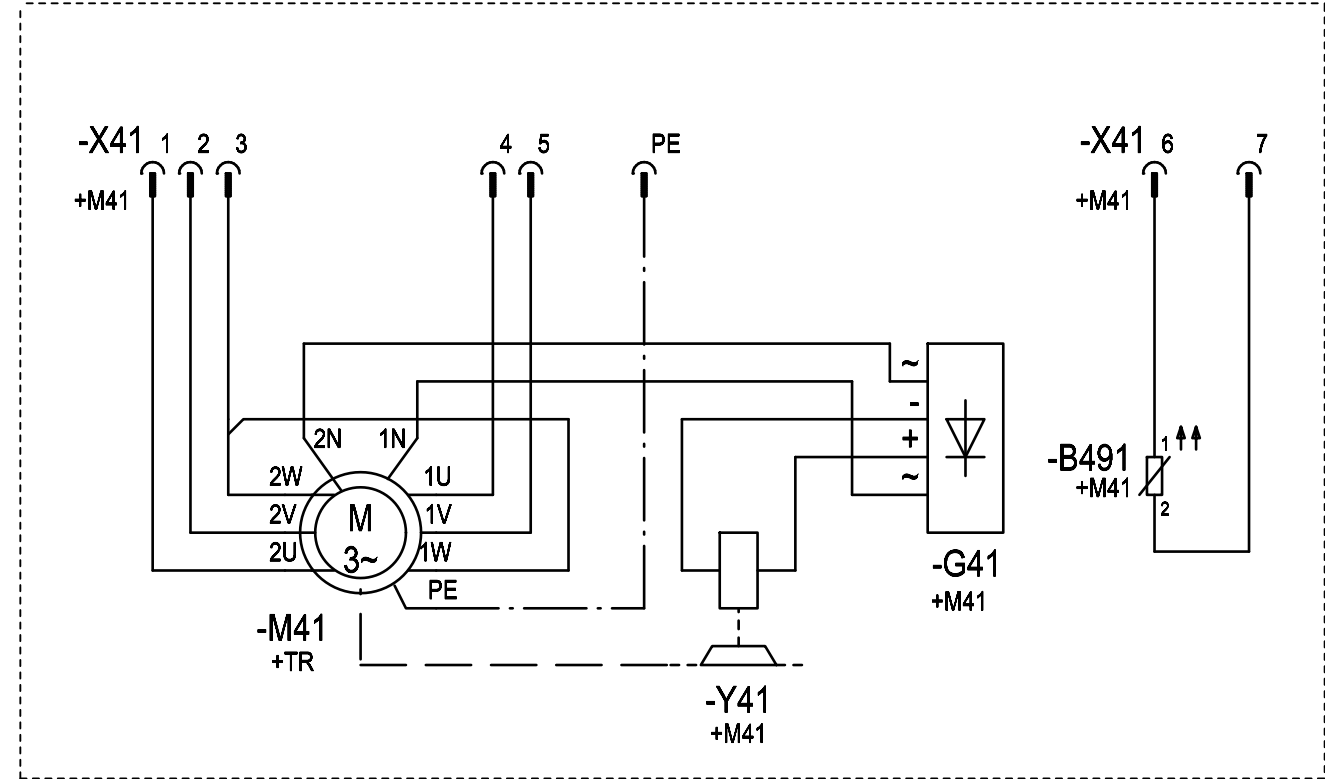
| | |
|--------------------------------------|--|
| Copyright according to DIN ISO 16016 | circuit diagram SH5 H71 type B SLE3 hoisting |
| Order No. | Serial No. xxxxxx |

| | |
|----------------|---------------|
| = | |
| + | |
| 05 438 32 13 0 | Page: 4 of: 9 |

cross travel motor
Katzfahrmotor



Note! Connection at 208V supply voltage.
Hinweis! Anschluss bei 208V Betriebsspannung.



| Changes | Date | Name | Date | Name |
|---------|----------|---------|----------|---------|
| | 13.03.19 | Schnell | 23.10.17 | Huhnd. |
| | | | 24.10.17 | Schnell |
| | | | 24.10.17 | Huhnd. |

| | | | | | | | | | |
|------|--|------|------------|---------|--|----------|--|--------|--|
| Rev. | | Plot | 13.03.2019 | Rep. by | | Rep. for | | Origin | |
|------|--|------|------------|---------|--|----------|--|--------|--|

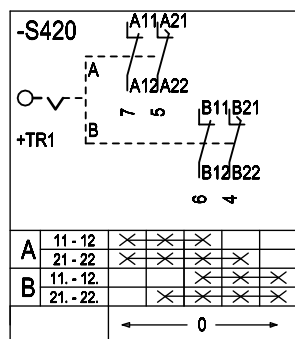
| |
|--|
| Copyright according to DIN ISO 16016 |
|--|

| | |
|---|-------------------|
| circuit diagram SH5 H71 type B SLE3 trolley | |
| Order No. | Serial No. xxxxxx |

| | |
|----------------|------------------|
| = | |
| + | |
| 05 438 32 13 0 | Page: 5 of: 9 |

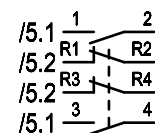
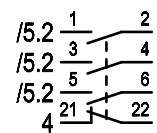
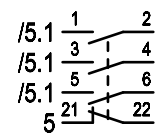
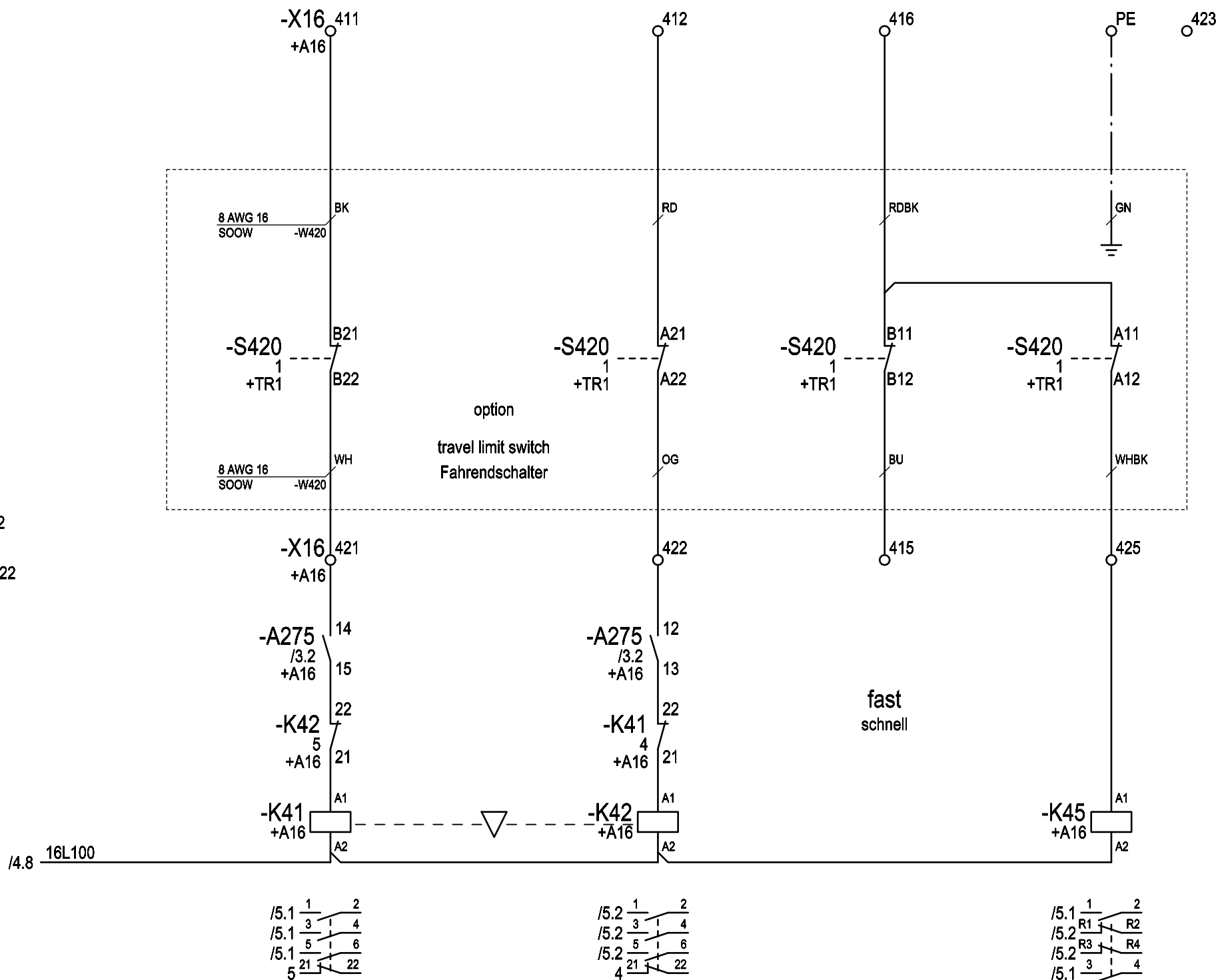
left
links

right
rechts



Attention!

with double-rail crab: change contact A21-A22 and B21-B22
 Bei Obergurttfahrwerken: Kontakte A21-A22 und B21-B22 tauschen



| Changes | Date | Name | Date | Name |
|---------|----------|---------|------------|---------|
| | 13.03.19 | Schnell | 23.10.17 | Huhnd. |
| | | | 24.10.17 | Schnell |
| | | | 24.10.17 | Huhnd. |
| Rev. | | Plot | 13.03.2019 | Rep. by |

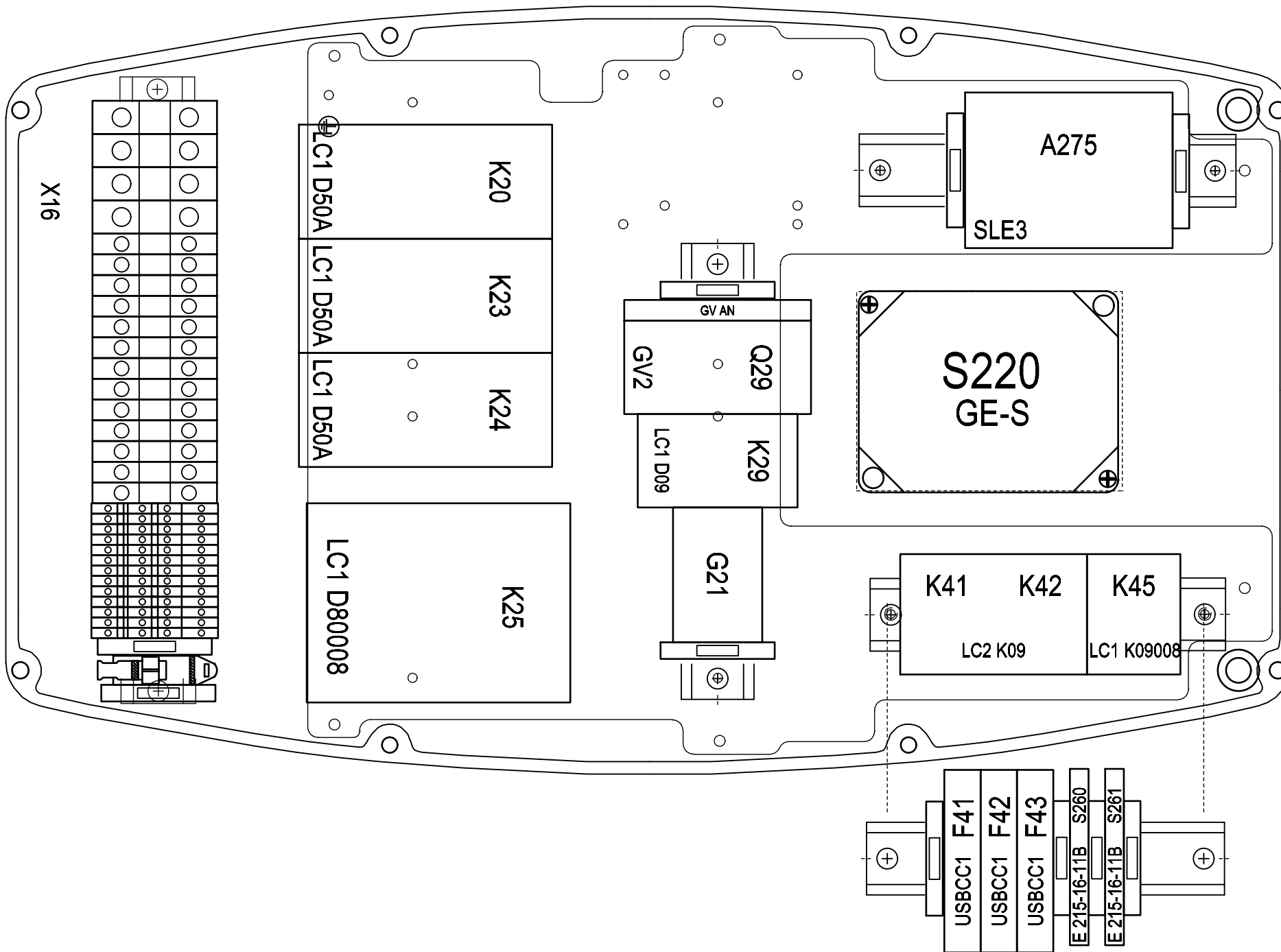
| | |
|----------|--------|
| Rep. for | Origin |
|----------|--------|

Copyright according to DIN ISO 16016

circuit diagram
 SH5 H71 type B SLE3
 trolley

| | |
|----------------|------------------|
| = | |
| + | |
| 05 438 32 13 0 | Page: 6 of: 9 |

GK SH5



| Changes | Date | Name | Date | Name |
|---------|----------|---------|------------|---------|
| | 13.03.19 | Schnell | 23.10.17 | Huhnd. |
| | | | 24.10.17 | Schnell |
| | | | 24.10.17 | Huhnd. |
| Rev. | | | 13.03.2019 | |

| | | |
|---------|----------|--------|
| Rep. by | Rep. for | Origin |
|---------|----------|--------|

Copyright according to DIN ISO 16016

location diagram
SH5 H71 type B SLE3
+A16

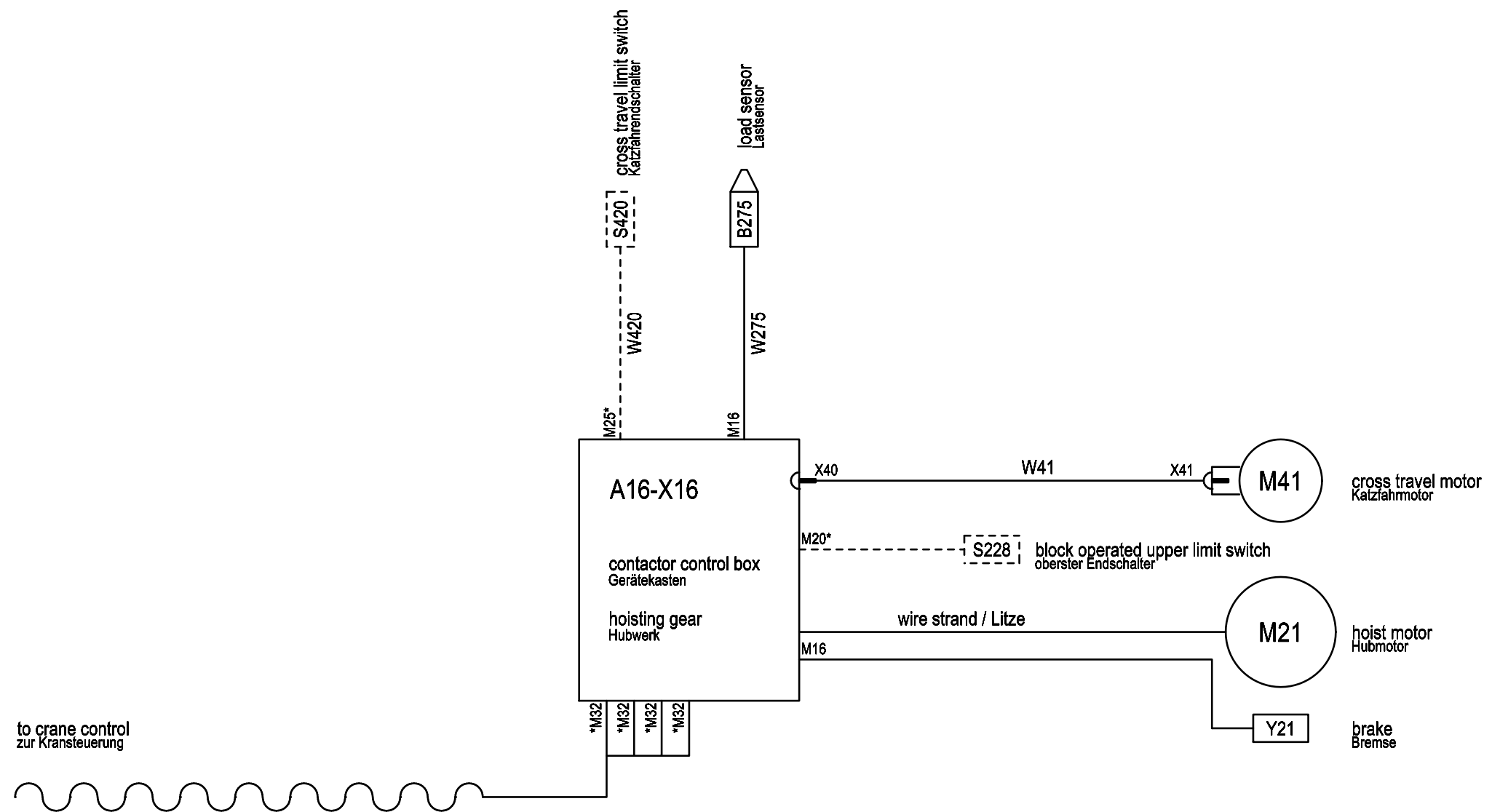
Order No. Serial No. xxxxxx

=

+

05 438 32 13 0

Page: 8
of: 9



* blind plug
Blindstopfen

| Changes | Date | Name | Date | Name |
|---------|----------|---------|----------|------------|
| | 13.03.19 | Schnell | 23.10.17 | Huhnd. |
| | | | 24.10.17 | Schnell |
| | | | 24.10.17 | Huhnd. |
| Rev. | | | Plot | 13.03.2019 |

| | | |
|---------|----------|--------|
| Rep. by | Rep. for | Origin |
|---------|----------|--------|

| | |
|--|--------------------------------------|
| Copyright according to DIN ISO 16016 | cable diagram SH5 H71 type B SLE3 |
| Order No. | Serial No. xxxxxx |

| | |
|----------------|------------------|
| = | |
| + | |
| 05 438 32 13 0 | Page: 9 of: 9 |