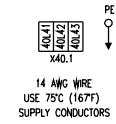
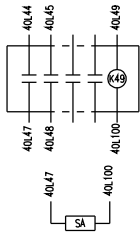


WIRE #	AWG*	DEVICE CONNECTED
40L41	14-BLK	X40.1 F44, U40
40L42	14-BLK	X40.1 F45, U40
40L43	14-BLK	X40.1 U40
40L44	14-BLK	F44, K49
40L45	14-BLK	F44, K49
40L49	14-BLK	K49, U40
40L110	16-RED	X40.2 U40, S420
411	16-RED	X40.2 S420
40L421	18-RED	X40.2 S420, U40
412	16-RED	X40.2 S420
40L422	18-RED	X40.2 S420, U40
40L415	18-RED	X40.2 U40
40L423	18-RED	X40.3 U40
40L426	18-RED	X40.3 S420, U40
40L427	18-RED	X40.3 S420, U40
40L49	16-RED	U40, SA
40L100	16-WHT	X40.3 K49, SA, U40
L491	X40.3	U40
L492	X40.4	U40, R491
L493	X40.3	NOT USED
L494	U40, R491	
R40.1	14-BLK	U40
R40.2	14-BLK	U40
40L47	14-BLK	X40.4 K49, G41
40L48	14-BLK	X40.4 K49, G41
U41	14-BLK	X40.4 M41, U40
M41	14-BLK	X40.4 M41, U40
M41	14-BLK	X40.4 M41, U40

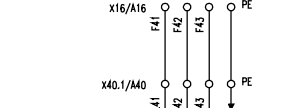
TIGHTENING TORQUE 12 LB.-IN. FUSE BASE TERMINALS TIGHTENING TORQUE 20 LB.-IN.



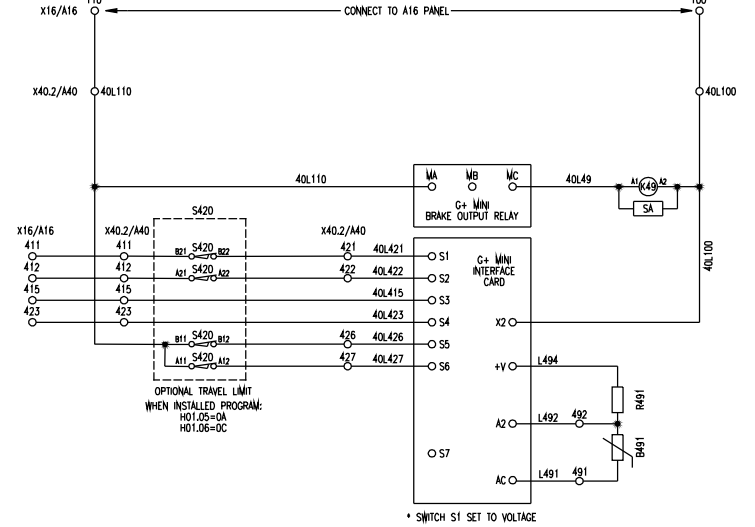
TIGHTENING TORQUE 7 LB.-IN.



CONNECT TO HOST A16 PANEL CONTROL CIRCUIT AND TROLLEY BRANCH CIRCUIT OCP CUSTOMER SUPPLIED DISCONNECTING MEANS AND FEEDER OCP  
TROLLEY OCP RATINGS:  
8A MAX. TIME DELAY CC-CLASS FUSES OR  
15A MAX. LISTED THERMAL-MAGNETIC CIRCUIT BREAKER



### ELEMENTARY DIAGRAM



#### NOTES:

\* WIRE AWG IN THIS COLUMN APPLIES TO WIRING INTERNAL TO HOST CONTROL PANEL. FIELD WIRING REQUIREMENTS ARE SHOWN BELOW APPROPRIATE TERMINAL BOARD.

TO MAINTAIN ENCLOSURE TYPE 4, TYPE 12 RATING OF THE ENCLOSURE, USE CONDUITS AND SEALING FITTINGS WITH A TYPE 4 AND TYPE 12 RATING.

ALL PANEL COMPONENTS MUST BE LABELED TO MATCH SCHEMATIC WIRING DIAGRAM DESIGNATIONS.

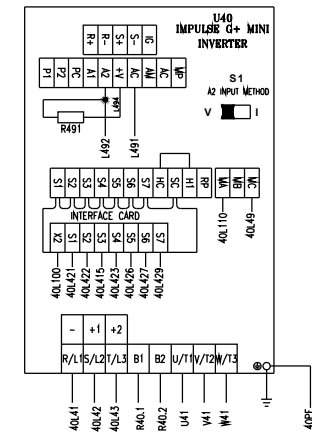
USE COPPER CONDUCTORS ONLY FOR ALL FIELD TERMINALS. SINGLE TERMINAL GROUND LUG PROVIDED FOR SUPPLY GROUNDING CONDUCTOR ONLY. DO NOT USE FOR PANEL WIRING.

LABEL FUSE BASES WITH FUSE SYMBOL AND SIZE IN AMPERES USING A PRINTED LABEL.

ADJACENT TO TRANSFORMER LABEL FUSE SYMBOL AND AMPACITY.

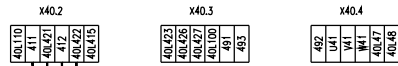
LABEL TERMINAL BLOCKS WITH ALPHANUMERIC CODE AS SHOWN ON WIRING DIAGRAM USING PERMANENT MARKER.

NOTE: THIS WIRING DIAGRAM SHOWS WIRING FOR 3 SPEED CONTROL. PROGRAMMING OF THE INVERTER CAN CHANGE THE CONTROL METHOD TO 2-STEP, 3-STEP, 2-STEP INFINITELY VARIABLE, OR 3-STEP INFINITELY VARIABLE.



POWER TERMINALS TIGHTENING TORQUE 7.1-8.9 LB.-IN.  
INTERFACE CARD TERMINAL TIGHTENING TORQUE 1.1-2.2 LB.-IN.

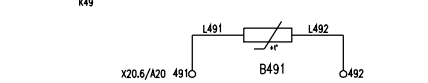
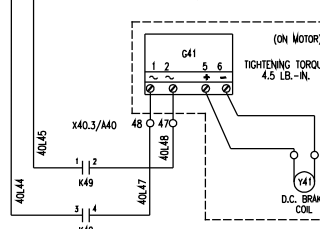
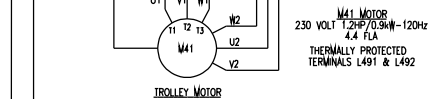
TIGHTENING TORQUE 12 LB.-IN. TIGHTENING TORQUE 12 LB.-IN. TIGHTENING TORQUE 12 LB.-IN.



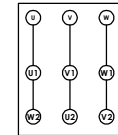
\* REMOVE TERMINAL BOARD JUMPER WHEN TRAVEL LIMIT S420 IS PROVIDED

- WARNING:**  
THIS EQUIPMENT MUST BE EFFECTIVELY GROUNDING ACCORDING TO APPLICABLE CODES.
- AVERTISSEMENT:**  
CET EQUIPEMENT DOIT ETRE MIS A LA TERRE EN ACCORDANCE AVEC LES NORMES EN VIGUEUR.

- SYMBOL DESIGNATIONS**
- U40 - INVERTER
  - R40 - DYNAMIC BRAKING RESISTOR
  - F44 - BRAKE CIRCUIT FUSE
  - F45 - BRAKE CIRCUIT FUSE
  - K49 - BRAKE RELAY
  - G41 - BRAKE RECTIFIER
  - R491 - PTC BRANCH RESISTOR
  - R491 - PTC THERMISTOR
  - S420 - TRAVEL LIMITS
  - SA - SURGE ABSORBER
  - X20 - TERMINAL BLOCKS



**MOTOR CONNECTION:**  
CONNECT MOTOR FOR DELTA WINDING



UL508A TROLLEY CONTROL PANEL	
VOLTAGE	230V
PHASES	3 PH.
FREQUENCY	60 Hz
TOTAL FLA	5A
LARGEST MOTOR FLA	4.4A
LONGEST MOTOR TIME RATE	6 MIN ON-4 MIN OFF (IEC 60% DUTY)
SCCR (kA)	5kA
MAX FUSE	8A
MAX CIRCUIT BREAKER	15A
MAX VOLTAGE	230V
ENCLOSURE TYPE	4 / 12
INPUT TERMINAL ID	X40.1: 40L41, 40L42, 40L43
WIRING DIAGRAMS	45661002



WIRING DIAGRAM - YK/SK HOIST  
4F18: TROLLEY WITH BRAKE  
G+MINI VFD  
230V - A20 PANEL - UL508A

DATE	BY	DESCRIPTION	DATE	BY	DESCRIPTION
10/2018	AK	INITIAL RELEASE	10/2018	RFB	Drawn
-	-	-	-	-	Approved
-	-	-	-	-	Original Author
-	-	-	-	-	Worksheet
ECN	Rev	Description of change	Date	By	Original Scale

**D 45661002**