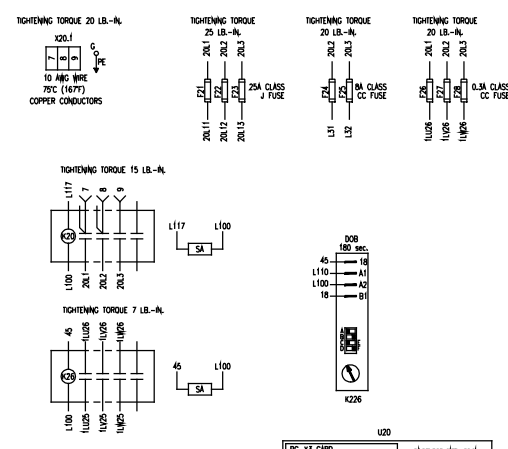


Table with 3 columns: WIRE #, AMP, DEVICE CONNECTED. Lists wiring connections from #7 to #202, including various relays, switches, and sensors.

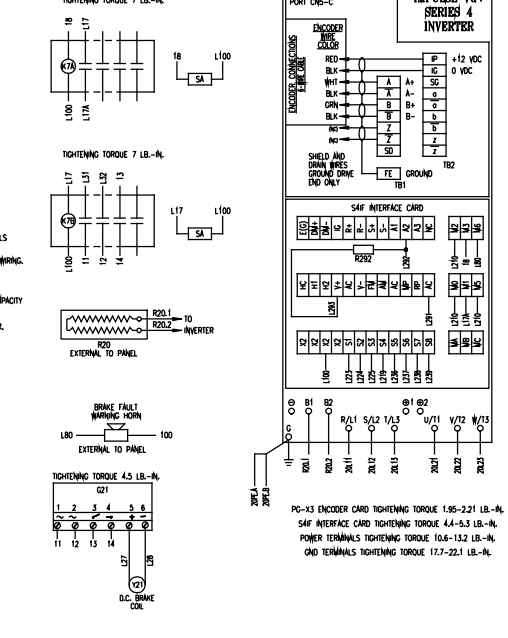


S220 - GEARED LIMIT SWITCH. Table listing limit switch settings: S1 EMERGENCY HOIST UPPER LIMIT, S2 EMERGENCY HOIST LOWER LIMIT, etc.

UL508A NOTES. Includes instructions on wire amp ratings, terminal markings, component labeling, and safety requirements.

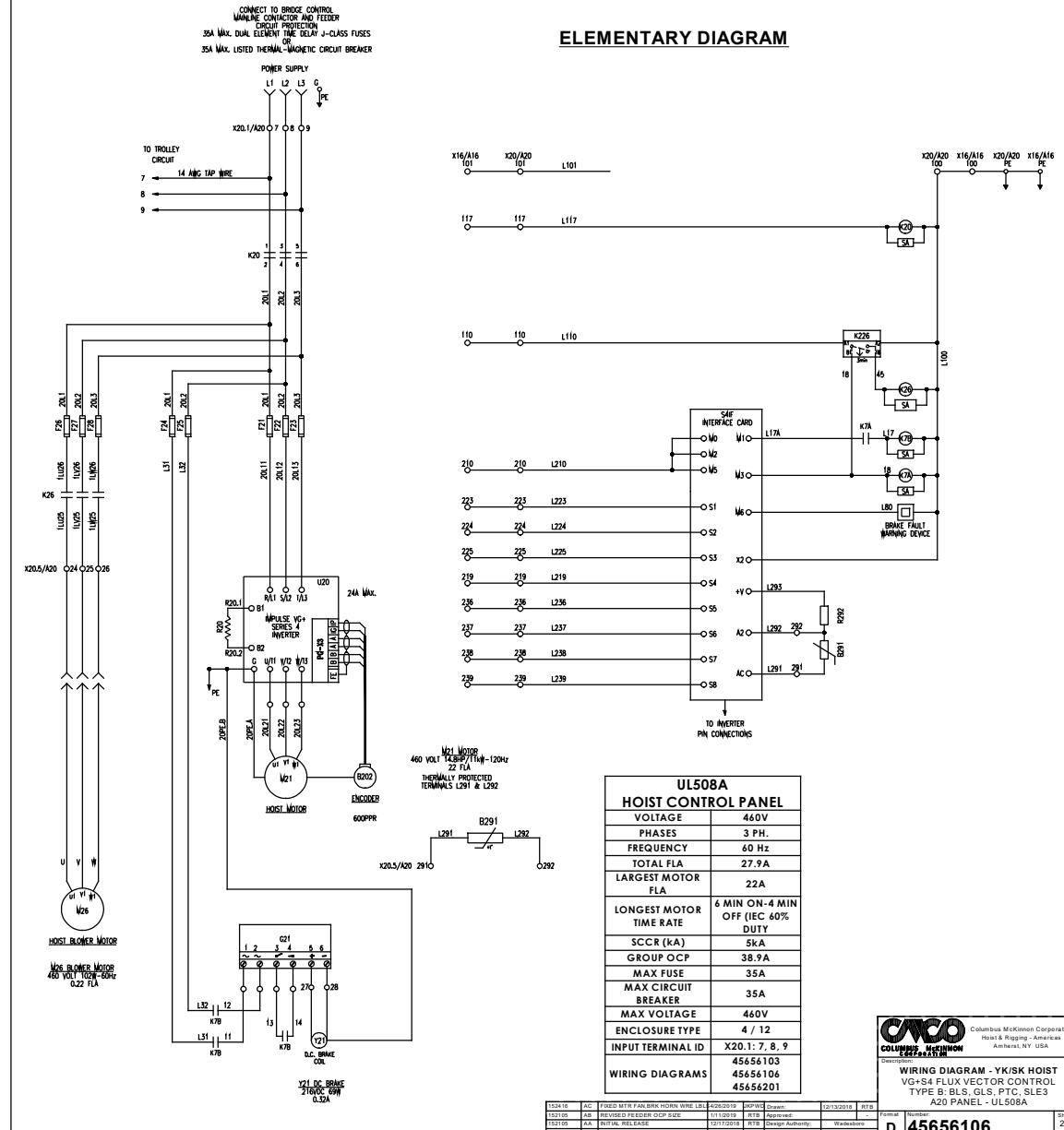
SYMBOL DESIGNATIONS. Lists symbols for components like resistors (R20.1, R20.2), capacitors (C20.1), and relays (K20.1).

WARNING and ADVERTISMENT sections. Warning: THIS EQUIPMENT MUST BE EFFECTIVELY GROUNDING. Advertisement: SET EQUIPMENT DOT ETEE MS ANA TERRE EN ACCORDANCE AVEC LES NORMES EN VIGUEUR.



Terminal block wiring diagrams for X20.2, X20.3, X20.4, and X20.5. Shows connections to a D.C. BRKME CBL.

ELEMENTARY DIAGRAM



UL508A HOIST CONTROL PANEL specification table. Details voltage (460V), phases (3 PH), frequency (60 Hz), total and largest motor FLA, and other technical specifications.

Cisco logo and product information. Includes 'WIRING DIAGRAM - YK/SK HOIST' and 'D 45656106'.

Revision table with columns: DATE, REV., DESCRIPTION OF CHANGE, DRAWN BY, CHECKED BY, APPROVED BY, WORKSHEET NUMBER, SHEET NUMBER.