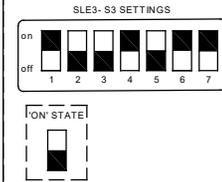


WIRE #	DEVICE CONNECTED
7	X16-7 K20, F101
8	X16-8 K20, F102
9	X16-9 K20
1N	X16-1N M21, Q29
2N	X16-2N M21, Q29
27	X16-27 G21, Y21
28	X16-28 G21, Y21
16L100	X16-100 K20, K23, K24, K25, A275, Q29
16L110	X16-110 S220, A275
211	X16-211 A110, S228
212	X16-212 A110, A275
215	X16-215 A110, A275
216	X16-216 S228, S220, S260
16L291	X16-291 B291, A275
16L292	X16-292 B291, A275
411	X16-411 A110, X40.2
412	X16-412 A110, X40.2
415	X16-415 A110, X40.2
423	X16-423 A110, X40.2
16L41	X16-41 K23, K24, F41
16L42	X16-42 K23, K24, F42
16L43	X16-43 K23, K24, F43
16L223	X16-223 A275, K24
16L224	X16-224 A275, K23
16L225	X16-225 A275, K25
16L229	X16-229 A275, Q29, K23, K24
16L1	X16-1 K20, K23, K24
16L2	X16-2 K20, K23, K24
16L3	X16-3 K20, K23, K24
40L41	X16-41 F41, X40.1
40L42	X16-42 F42, X40.1
40L43	X16-43 F43, X40.1

S220 - GEARED LIMIT SWITCH		
ELEMENT	FUNCTION	CONTACTS
S1	EMERGENCY HOIST UPPER LIMIT	11-12
S2	EMERGENCY HOIST LOWER LIMIT	21-22
S3	OPERATING UPPER LIMIT	31-32
S4	UPPER SLOW DOWN LIMIT	41-42



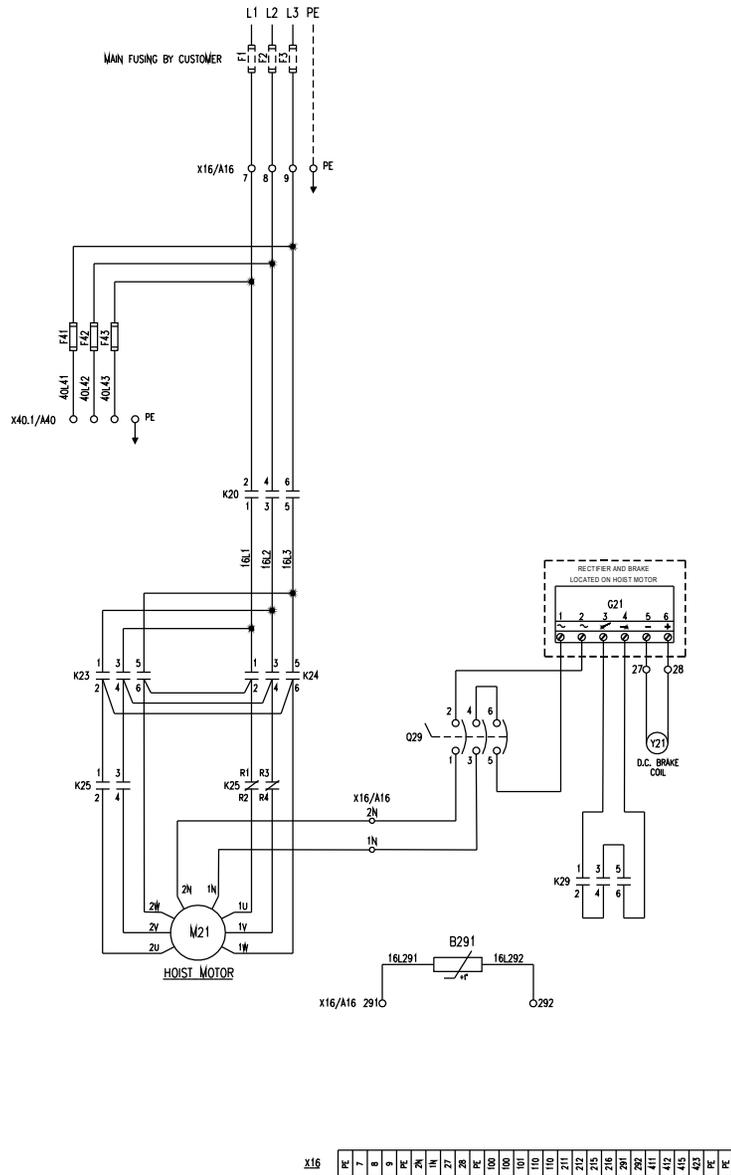
**SYMBOL DESIGNATIONS**

- A275 - SLE3 MOTOR MONITOR
- F41-F43 - TROLLEY CIRCUIT FUSING
- G21 - HOIST BRAKE RECTIFIER
- K20 - HOIST SAFETY CONTACTOR
- K23-24 - HOIST REVERSING CONTACTOR
- K25 - HOIST FAST CONTACTOR
- K29 - HOIST BRAKE CONTACTOR
- Q29 - HOIST BRAKE CIRCUIT BREAKER
- S220 - GEARED LIMIT SWITCH
- S260 - OPERATING UPPER LIMIT BYPASS
- S261 - EMERGENCY UPPER LIMIT RESET
- M21 - HOIST MOTOR
- Y21 - HOIST MOTOR BRAKE
- B291 - HOIST MOTOR PTC THERMISTOR
- S228 - UPPER BLOCK LIMIT SWITCH

**WARNING:**  
THIS EQUIPMENT MUST BE EFFECTIVELY GROUNDING  
ACCORDING TO APPLICABLE CODES.

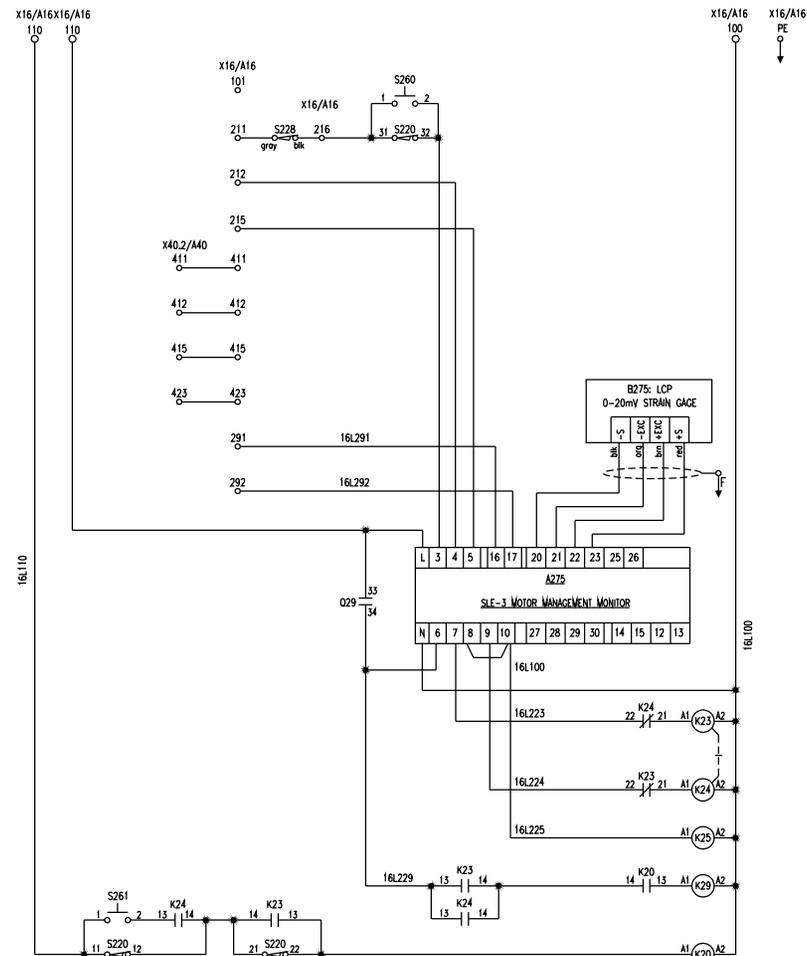
**AVERTISSEMENT:**  
CET EQUIPEMENT DOIT ETRE MIS A LA TERRE EN  
ACCORDANCE AVEC LES NORMES EN VIGUEUR.

FIRST USED ON: PROJECT ONE



X16	16L1	16L2	16L3	16L100	16L110	211	212	215	216	219	220	221	223	224	225	229	411	412	415	423	16L41	16L42	16L43	16L223	16L224	16L225	16L229
-----	------	------	------	--------	--------	-----	-----	-----	-----	-----	-----	-----	-----	-----	-----	-----	-----	-----	-----	-----	-------	-------	-------	--------	--------	--------	--------

**ELEMENTARY DIAGRAM**



WIRING DIAGRAM - YK/ISK HOIST  
2-SPEED HOIST TYPE B CONTROL  
SLE 3 LOAD MONITOR  
C & D FRAME CONNECT TO A40

REV	BY	DESCRIPTION OF CHANGE	DATE	CHK'D	DATE
1	AD	CORRECTED K20 CONTACT STATE	1/15/2021	RFB	6/15/2018
2	AD	NO CHANGE	1/15/2021	RFB	6/22/2018
3	RE	CORRECTED TYPING	1/15/2021	RFB	6/22/2018
4	RE	NO CHANGE	1/15/2021	RFB	6/22/2018

D 45656002

Sheet 1/1