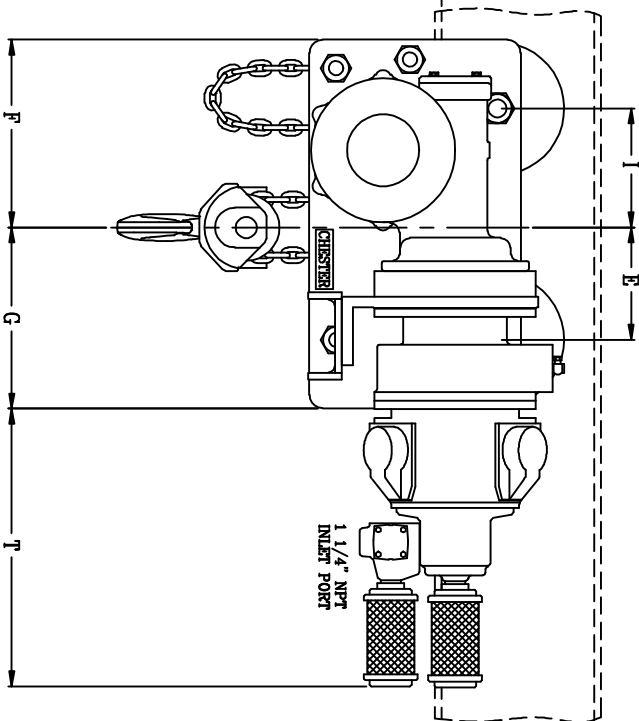
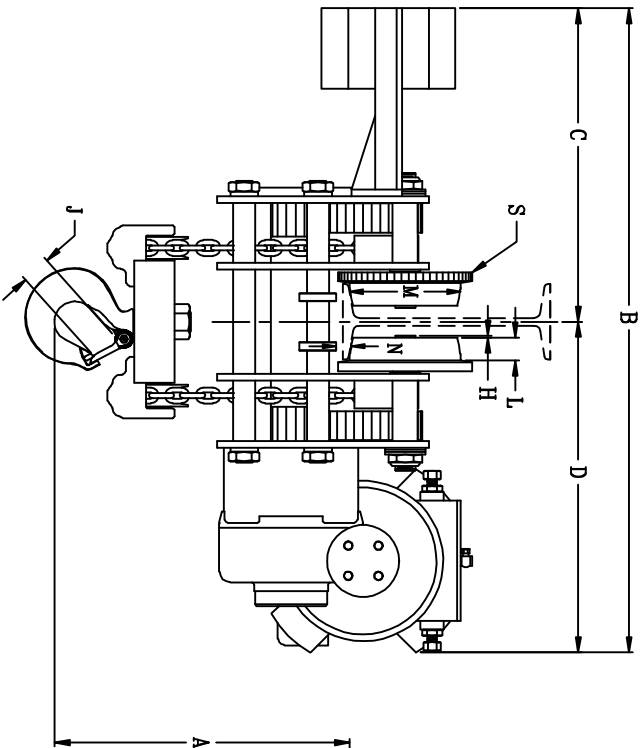


SPARK RESISTANT  
 -BRONZE HOOK  
 -STAINLESS STEEL CHAIN

PC# 1 NO. REQ. 1



* A	14 13/16"
B	48 3/16"
C	23 3/8"
D	24 13/16"
E	8 3/8"
F	14"
G	13 1/2"
H	3 1/16"
I	8 7/8"
J	3"
L	1 11/16"
M	8 1/4"
N	1"
R	xx
S	10"
T	20 11/16"

\* TO WHEEL RUNNING SURFACE OF BEAM  
 # TO UNDER BEAM ROLLER - (CLOSEST POINT OF CONTACT)  
 CUSTOMER MUST TAKE INTO CONSIDERATION FLANGE WIDTH AND THICKNESS OF BEAM  
 DIMENSIONS SHOWN ARE CORRECT FOR ANY "S" OR "W" BEAM, PLAIN, HAND GEARED OR MOTORIZED TROLLEY.  
 NOTE: THIS UNIT OPERATES ONLY ON THE BEAM SPECIFIED

6 TON AIR LOW HEADROOM HOIST

CHESTER HOIST

LISBON, OHIO

DR. MAM TR. CK. AP.

SCALE NONE DATE 8/29/08

REF. DWG. NO.

Dwg. No. C-49035

MR. REVISIONS

CR-DATE