

Yale **UNOplus**

Ratchet lever hoist **Series A**



Yale **UNOplus** Series A *new!*

The *UNOplus-Series A* ratchet lever hoist is the result of further technical development of the *UNOplus*, which has proven itself over many years.

The versatile tool for lifting, pulling and securing of loads is characterised by its compact design, robust stamped steel construction and the smoothly running free chaining device. The further reduced weight optimizes operation, makes the application even more comfortable and the *UNOplus-Series A* to a convenient, versatile device.

CAPACITIES 750 - 6000 KG

BENEFITS & FEATURES

EASY TO USE

Due to optimized gearing and improved bearings in the housing cover a minimum effort is required to operate the short hand lever.

RUGGED DESIGN

Impact resistant stamped steel frame and gear cover withstands repeated rigorous use.

LOAD PRESSURE BRAKE

Even today, the load pressure brake, based on the principle of Thomas Weston's patent of 1875, is still used in our manual hoists.

EASY & SMOOTH FREE CHAINING

For quick take up and positioning of slack chain – even with one hand. Designed not to accidentally free chain while under load. Cast chain end stop allows the user to easily position the chain in free-chaining mode and prevents it from entering the liftwheel and jamming the hoist.

RELIABLE LOAD GUIDANCE

The load chain runs in the load sheave and is secured against unintentional slipping by the closed chain guide.

NON SLIP RUBBER HANDLE GRIP

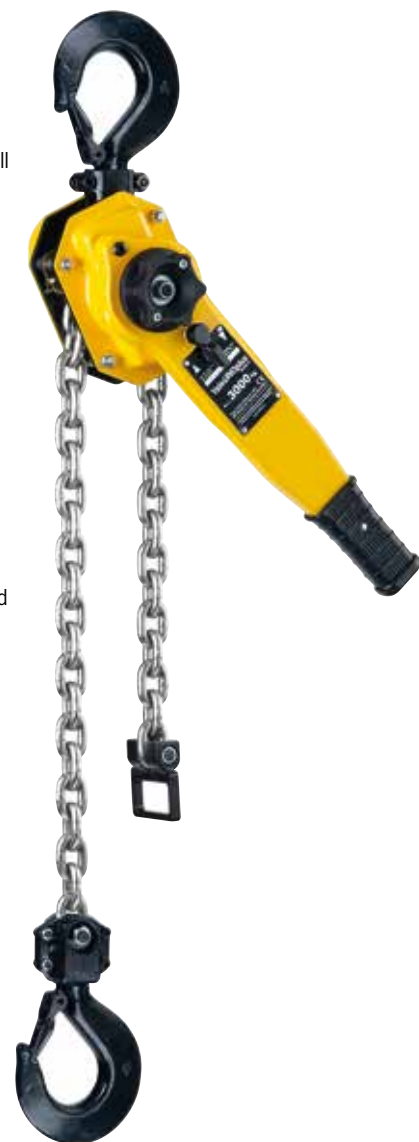
Comfortable rubber grip provides for extra protection against slippage.

CORROSION PROTECTION

Robust chain guide, chain stripper and parts of the brake are zinc-plated and yellow-chromated for corrosion protection.

EASY-TO-INSPECT SWIVEL HOOKS

Bolt on hooks with nyloc nuts simplify the inspection process. Hooks are forged, allowing them to yield under overload without breaking. Cast safety latches provide positive and secure load engagement.

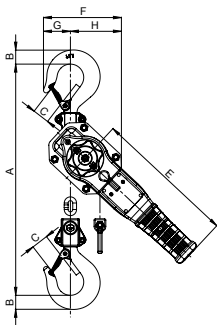


Technical data UNOplus-A

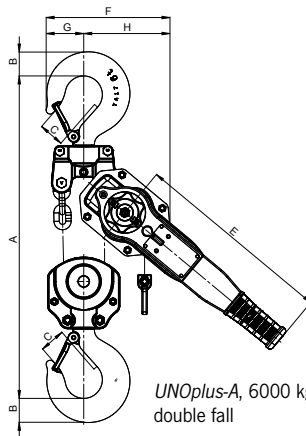
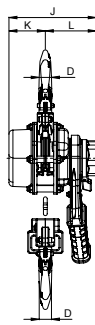
Model	Art.-No.	Capacity kg	Number of chain falls	Chain dimensions d x p in mm/ design	Lift with one full lever turn mm	Handle pull at WLL daN	Weight at standard lift (1.5m) kg
UNOplus-A 750	192049841	750	1	5.6x17.1 - T	27	22	6.3
UNOplus-A 1500	192049940	1500	1	7.1x21 - T	22	35	9.2
UNOplus-A 3000	192050025	3000	1	10x28 - V	20	40	16.9
UNOplus-A 6000	192050579	6000	2	10x28 - V	10	43	28.6

Dimensions UNOplus-A

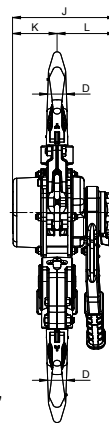
Model	UNOplus-A 750	UNOplus-A 1500	UNOplus-A 3000	UNOplus-A 6000
A min., mm	312	375	445	563
B, mm	20	26	37	45
C, mm	27	31	40	47
D, mm	18	21	28	35
E, mm	267	267	376	376
F, mm	121	146	180	232
G, mm	40	51	57	71
H, mm	81	95	123	161
J, mm	144	164	193	193
K, mm	53	68	83	83
L, mm	91	96	110	110



UNOplus-A, 750 - 3000 kg,
single fall



UNOplus-A, 6000 kg,
double fall



COMPACT & TRANSPORTABLE
**UNIVERSALLY USABLE
 & USER FRIENDLY**
 LIGHTWEIGHT & CAN BE USED IN
 THE SMALLEST AREAS.

Germany

COLUMBUS MCKINNON Industrial Products GmbH*

Yale-Allee 30
42329 Wuppertal
Phone: 00 49 (0) 202/69359-0
Web Site: www.cmco.eu
Web Site: www.yale.de
E-mail: info.wuppertal@cmco.eu

COLUMBUS MCKINNON Engineered Products GmbH*

Am Silberpark 2-8
86438 Kissing
Phone: 00 49 (0) 8233 2121-777
Web Site: www.cmco.eu
Web Site: www.pfaff-silberblau.com
E-Mail: sales.kissing@cmco.eu

Pfaff Verkehrstechnik GmbH*

Am Silberpark 2-8
86438 Kissing
Phone: 00 49 (0) 8233 2121-4500
Web Site: www.pfaff-silberblau.com
E-Mail: verkehrstechnik@pfaff-silberblau.com

Austria

COLUMBUS MCKINNON Hebetchnik GmbH*

Gewerbepark, Wiener Straße 132a
2511 Pfaffstätten
Phone: 00 43 (0) 22 52/22 133-0
Web Site: www.cmco-hebetchnik.at
E-mail: zentrale@cmco.at

Switzerland

COLUMBUS MCKINNON Switzerland AG*

Dällikerstraße 25
8107 Buchs ZH
Phone: 00 41 (0) 44 8 51 55 77
Web Site: www.cmco.ch
E-mail: info.buchs@cmco.eu

Italy

COLUMBUS MCKINNON Italia S.r.l.*

Via 11 Settembre 26
20023 Cerro Maggiore (MI)
Phone: 00 39 (0) 331/57 63 29
Web Site: www.cmco-italia.it
E-mail: vendite@cmco.eu

France

COLUMBUS MCKINNON France SARL*

Zone Industrielle des Forges
33 Rue Albert et Paul Thouvenin
18108 Vierzon Cedex
Phone: 00 33 (0) 248/71 85 70
Web Site: www.cmco-france.com
E-mail: sales.fr@cmco.eu

Netherlands

COLUMBUS MCKINNON Benelux B.V.

Flight Forum 128 a
5657 DD Eindhoven
Phone: 00 31 (0) 40/3 03 26 81
Web Site: www.cmco.eu
E-mail: sales.nl@cmco.eu

Great Britain

COLUMBUS MCKINNON Corporation Ltd.*

Knutsford Way, Sealand Industrial Estate
Chester CH1 4NZ
Phone: 00 44 (0) 1244 375375
Web Site: www.cmco.eu
E-mail: sales.uk@cmco.eu

Northern Ireland & Republic of Ireland

COLUMBUS MCKINNON Corporation Ltd.

1A Ferguson Centre
57-59 Manse Road
Newtownabbey BT36 6RW

Northern Ireland

Phone: 00 44 (0) 2890 840697
Web Site: www.cmco.eu
E-mail: sales.ni@cmco.eu

COLUMBUS MCKINNON Ireland Ltd.

Unit 4, South Court
Wexford Road Business Park
Co. Carlow
Phone: 00 353 (0) 59 918 6605
Web Site: www.cmco.eu
E-Mail: info.irl@cmco.eu

Spain & Portugal

COLUMBUS MCKINNON Ibérica S.L.U.

Ctra. de la Esclusa, 21 acc. A
41011 Sevilla
Phone: 00 34 954 29 89 40
Web Site: www.cmiberica.com
E-mail: informacion@cmco.eu

Poland

COLUMBUS MCKINNON Polska Sp.z o.o.

ul. Owsiana 14
62-064 PLEWISKA
Phone: 00 48 (0) 61 6 56 66 22
Web Site: www.cmco-polska.pl
E-Mail: kontakt@columbus-mckinnon.pl

Russia

COLUMBUS MCKINNON Russia LLC

ul. Marshala Govorova 35
Building 4, liter I, premises 16-N, office 413
198095 St. Petersburg
Phone: 007 (812) 322 68 38
Web Site: www.cmco.ru
E-mail: info@cmco.ru

Hungary

COLUMBUS MCKINNON Hungary Kft.*

Vásárhelyi út 5. VI ép
8000 Székesfehérvár
Phone: 00 36 (22) 880-540
Web Site: www.cmco.hu
E-mail: sales.hungary@cmco.eu

United Arab Emirates

COLUMBUS MCKINNON Member

STAHL CraneSystems FZE

Warehouse RA 08/SC 08
P.O. Box 261271
Jebel Ali Free Zone
Dubai, U. A. E.
Phone: 00 971 4 8053 700
Web Site Stahl: www.stahlcranes.com
E-mail Stahl: infouae@stahlcranes.com
Web Site CMCO: www.cmco.eu
E-mail CMCO: sales.uae@cmco.eu

South Africa

Yale Lifting Solutions (Pty) Ltd*

P.O. Box 4431
Honeydew
Johannesburg, 2040
Phone: 00 27 (0) 11/794 29 10
Web Site: www.yale.co.za
E-mail: info@yalelift.co.za; crm@yalelift.co.za

Yale Lifting Solutions (Pty) Ltd.*

P.O. Box 15557
Westmead, 3608
Durban
Phone: 00 27 (0) 31/700 43 88
Web Site: www.yale.co.za
E-mail: info@yalelift.co.za; crm@yalelift.co.za

Branch Magaliesburg*

P.O. Box 592
Magaliesburg, 1791
Phone: 00 27 (0) 14/577 26 07

Branch Middleburg*

16 July Street
Sunset Business Park no 5
Middleburg, 1050
Phone: 00 27 (0) 13/244 1579



HAVE WE DRAWN YOUR ATTENTION?



Visit: **www.cmco.eu**

Follow us:

