

Tigrip® Load Hoisting Tackle

Tigrip® Lifting clamps and attachments have a reputation for reliability, quality and safety going back more than 35 years.

For transportation and handling of loads with a hoist the Tigrip® programme offers the optimum connection between hook and load for almost any application.

Tigrip® Crane Weighers

Also renowned for many years are our precise crane weighers. Wherever weight has to be measured or forces have to be assessed the reliable and robust units can be used. Areas of application are practically unlimited.

Tigrip® - your first choice!

Table of contents

	Page
Grabs & Clamps	168 - 173
	176 - 201
Permanent load lifting magnets	174 - 175
C-hooks	202 - 204
Barrel grabs & Crate grabs	206 - 211
Load hoisting tackle for underground construction	212 - 215
Spreader beams	216 - 225
Crane forks	226 - 227
Crane weighers	228 - 231
Load indicator	232 - 233

INFO

Please note our user instructions at the beginning of each chapter

Yale

TIGRIP®



NOTE

This user information presents a general overview regarding the operation of some plate clamps and does not substitute the existing operating instructions for specific load hoisting tackle!

Lifting operations with load hoisting tackle may be carried out by competent persons (trained in theory and practice) only.

When operated correctly, our Tigrip products will offer the highest degree of safety, avoid damage to products and people and present a long life expectancy.

Modification of delivery condition

Design and construction of the load hoisting tackle may not be altered without authorization of the manufacturer, e.g. by bending, welding, grinding, cutting-off parts, adding boreholes, removal of safety devices like locking mechanisms, bolts, shear pins etc. Otherwise the validity of the declaration of conformity will be void and any liability and warranty of the manufacturer ceased.

Limitations of operation

Loading

The rated capacity (WLL) indicated on the tackle is the maximum load which must not be exceeded.

Temperature

Clamps without protective lining may normally (depending on manufacturer) be operated at ambient temperatures of -40°C up to +100°C without capacity reduction. Clamps with protective lining may be subject to reduced temperature areas due to application of affixed linings, e.g. model TBP and TSB, which can be operated from -20°C up to +40°C.

Shock loading, swinging of load

The indicated capacities are based on shock-free loading of the tackle. Light bumps as occurred during lifting and lowering as well as transporting of load with the crane are admitted. Heavier shock loadings (e.g. crashing against obstacles during transport) as well as swinging of the load are strictly forbidden!

Chemicals

Load hoisting tackle may not be operated without hesitation in the area of chemicals or chemical vapours – consult our specialists beforehand. Hoisting tackle which has been subject to chemicals or vapours must be taken out of service and should be returned to us for inspection.

Transport of people

Transport of people with hoisting equipment and tackle is generally forbidden!

Operation in danger zones

Lifting or transport of loads must be avoided while personnel are in the danger zone. When using clamps or grabs without a positive fit but with force fit or friction fit the load must not be suspended above people – see AMVO §18(6)!

Lifting products

Load hoisting tackle have been designed for specific applications and must not be used for other jobs without prior authorization of the manufacturer. This refers e.g. to the thickness of material (jaw capacity of the clamp), surface condition, hardness* and temperature of material. Relative information is given in the respective operating instructions. These have to be available to the operator to ensure safe handling of the product.

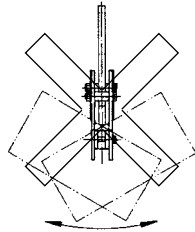
*Please observe that for special steel plates the surface hardness may deviate substantially from the core hardness, e.g. for cold work steel.

Inspection before initial operation

- Ensure that the surface of the steel plate, in the area where the clamp is to be attached, is dry and free from grease, paint, dirt and scale and is not coated, so that the teeth resp. the protective lining on the moving jaw can make good contact with the surface of the load.
- Check the fixed jaw and the moving jaw for wear and defects. Both jaws must have clean profiles and teeth must not be heavily worn (observe respective advice given in the operating instruction, guiding value max. 30% wear). Protective linings must not be contaminated, damaged, uneven or heavily worn.
- The entire hoisting tackle has to be checked for damage, corrosion, cracks or deformations.
- It should be easy to open and close the clamp.
- Check the function of the spring. In the CLOSED position this must present a noticeable spring pressure force when the hook ring is pressed down.

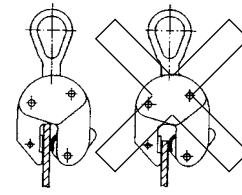
Application advices

- Load hoisting tackle must always be in perfect condition and provided with a legible identity plate.
- Prior to initial operation and every time before work, the tackle is to be visually inspected for obvious deficiencies!
- The suspension eye must have sufficient space in the load hook and move freely. A safety latch to prevent accidental out-hooking of the tackle must be available!
- Do not lift or transport loads while personnel are in the danger zone and do not allow people to pass under a suspended load. Note: a safe form-fit attachment requires sufficient hardness of the load. Ensure that the load or parts thereof cannot slip and fall down!

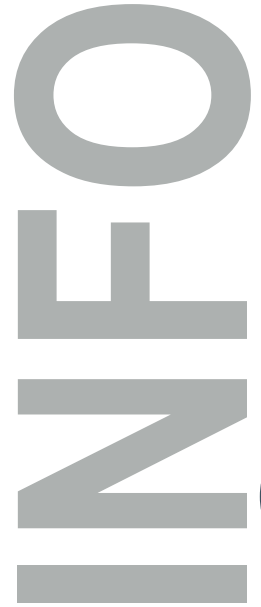


- The load hoisting tackle must be positioned over the gravity centre of the load, so that a swinging movement is avoided.
- If longer sheets of metal or profiles are to be transported, we recommend using two clamps to prevent load swinging. The clamps can be used in combination with a spreader beam or with double strand chain slings and clamps with hinged hook ring (e.g. model TBS). Observe the maximum angle from the vertical and possible capacity restrictions.
- Clamps without hinged hook ring must not be loaded laterally! (Slanted attachment of the clamp onto the steel plate in pulling direction of the clamp is normally not permitted, as the jaws would grip too close to the edge of the plate. Thus a correct fit of the clamp on the plate is not assured!)

- Always insert the load fully into the mouth of the clamp and make sure that the housing has contact on either side of the plate.



- Clamps designed for the transport of steel plate in vertical position may only accept one single plate at a time. The clamping effect must be assured on either side of the load!
- Special clamps are available for the transport of steel plate in horizontal position which allows handling of several plates at a time.
- A load must not be suspended or left unattended in raised or tensioned condition for a longer period of time.
- When attaching the clamp, the operator must ensure that neither the clamp, slings or load pose a danger to himself or other personnel.
- The operator may not move the load until he is convinced that the load is correctly attached and all personnel are outside the danger zone.
- Please take note of possible capacity restrictions depending on the pivoting range resp. pulling direction of the clamp. (Note: Not all clamp types on the market are designed for a pivoting range of 180° – strictly observe the operating instructions!)
- In case of malfunction stop using the load hoisting tackle immediately.



INFO

Due to the limitations of space in this catalogue we could not respond to all applications.

Please contact us for further information!

GENERAL

Maintenance and repair

- To ensure safe operation, all load hoisting tackle must be subjected to regular inspections according to the maintenance instructions given by the manufacturer.
- Load hoisting tackle which are due for maintenance (normally once per year, unless adverse working conditions dictate shorter periods) or products with obvious defects may be returned to us for inspection and repair.
- Inspections and tests must be performed by competent persons or specialist workshops that use original spare parts.

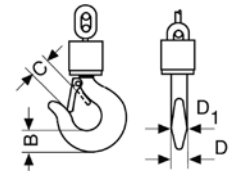
Inspections

- Inspections are visual and functional and shall establish that the load hoisting tackle is safe and has not been damaged by incorrect transport or storage. In addition check for damage, wear, corrosion and other deficiencies as well as completeness and function of safety devices. Inspections are instigated by the user.
- All load hoisting tackle has to be cleaned prior to inspection. The cleaning procedure must not cause chemical damages (e.g. no acid – embrittlement), no incorrect temperature stress by e.g. flame cleaning or possible concealment of cracks due to excessive material loss (sand blasting)! We shall be pleased to consult you in this respect. Please submit your load hoisting tackle for inspection in clean condition. This will reduce inspection costs considerably!

Criteria for disposal of load hoisting tackle

Load hoisting tackle must no longer be operated if e.g. :

- The identification (identity plate) is missing or illegible.
- Housing, components and suspension of the tackle present obvious deficiencies, e.g. cuts, grooves, cracks, excessive corrosion, staining due to heat, signs of subsequent welding resp. spatters (which cannot be easily removed) and leave stains.
- Ropes show breakages of wires resp. bruises (criteria for disposal of ropes are given in classification DIN 15020), damages to the rope sleeve and similar failures.
- The load chain presents twisted or distorted links or shows an elongation of 5 % resp. undergoes the averaged nominal thickness of the link by more than 10 %.
- The opening (C) of either suspension or load hook has increased/deformed by more than 10 % of the nominal dimension or shows wear in the hook mouth (dimensions B resp. D) of more than 5 %.
- If the inspection revealed that the tackle has been overloaded or deteriorated it can only be used again after careful inspection and repair – if necessary.



INFO

You will find the General Terms and Conditions at the end of the catalogue.

Please note the information on our training courses on page 4.

Technical questionnaire to identify the suitable Tigrip® load hoisting tackle

Company: _____ Date: _____

Contact: _____ e-Mail: _____

Phone: _____ Fax: _____

Clamps and grabs

Information about the load:

What will be transported?

Weight min. _____ kg - max. _____ kg

Length min. _____ mm - max. _____ mm

Width min. _____ mm - max. _____ mm

Height min. _____ mm - max. _____ mm

External diameter min. _____ mm - max. _____ mm

Internal diameter min. _____ mm - max. _____ mm

Material Steel Concrete Wood Paper Others

Surface hardness for steel: _____ HRC

Surface condition Oiled Greasy Dry Scales Others

How should/may the load be grabbed/clamped:

Grabbed from underneath Jaws Protective lining Others

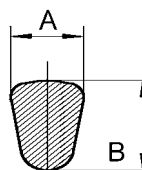
Information about the clamp/grab:

What kind of grab will be needed?

Type of crane hook or dimensions A - B

Model: _____ A = _____

B = _____



Other restrictions: _____



TBL/TBL plus Plate clamp with safety lock

Capacity 500 - 3000 kg

This clamp is primarily used for transporting single steel plates in the vertical position, as well as lifting and turning through 180°. This clamp can also be used for transporting steel constructions and profiles. It is recommended to use a pair of plate clamps in conjunction with a spreader beam for large sized sheets and long materials which have a tendency to sag.

The jaw can be opened and closed with the locking lever (except for the TBL 0.5 t which uses a positive spring-loaded cam). The safety lock overrides the spring-loaded cam, preventing the clamp from opening even when there is no load.

This plate clamp is service-friendly, making it easy to exchange parts, which are available individually or in kits. Clamp repair is available by the factory, or can be done by certified and experienced staff.

The TBL 0.5 is equipped with a safety lock (positive spring-loaded cam), but comes without locking lever.

INFO

The surface hardness of the material must not exceed HRC 30/Brinell 300.

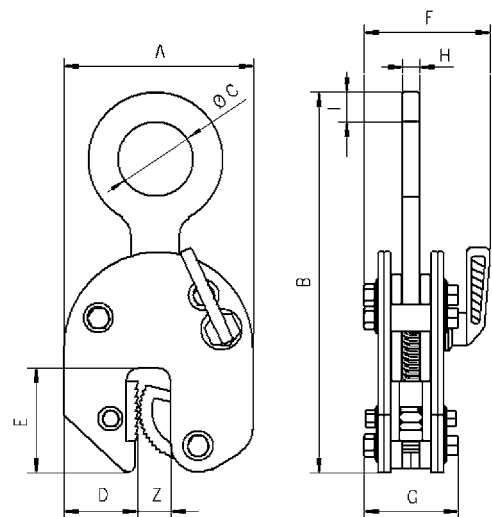
The min. load is 10 % of the nominal WLL, except for model TBL 1,5 plus, the min. load here is 100 kg.

Technical data TBL/TBL plus

Model	Art.-No.	Capacity kg	Jaw capacity Z mm	Weight kg
TBL 0,5	N50100051	500	0 - 16	1.5
TBL 1,5 plus	N50100056	1500	0 - 20	3.0
TBL 2,0 plus	N50100057	2000	0 - 32	9.3
TBL 3,0 plus	N50100058	3000	0 - 32	9.3

Dimensions TBL/TBL plus

Model	TBL 0,5	TBL 1,5 plus	TBL 2,0 plus	TBL 3,0 plus
A, mm	99	126	192	192
B, mm	195	225	312	312
Ø C, mm	29	50	80	80
D, mm	33	49	75	75
E, mm	47	70	96	96
F, mm	50	82	100	100
G, mm	48	55	81	81
H, mm	11	12	20	20
I, mm	16	20	24	24



TBL Plate clamp with safety lock

Capacity 4000 - 30000 kg

This clamp is primarily used for transporting single steel plates in the vertical position, as well as lifting and turning through 180°. This clamp can also be used for transporting steel constructions and profiles. It is recommended to use a pair of plate clamps in conjunction with a spreader beam for large sized sheets and long materials which have a tendency to sag.

These plate clamps have the same design and applications as the clamp model TBL with a capacity from 500 - 3000 kg.

INFO

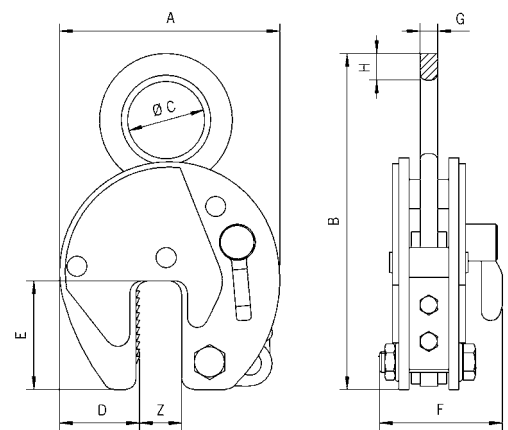
The surface hardness of the material must not exceed HRC 30/Brinell 300.

The min. load is 10 % of the nominal WLL!



Technical data TBL

Model	Art.-No.	Capacity kg	Jaw capacity Z mm	Weight kg
TBL 4,0 S	N50100005	4000	0 - 32	11.2
TBL 4,0 L	N50100006	4000	30 - 60	11.9
TBL 6,0 S	N50100021	6000	0 - 50	20.6
TBL 6,0 L	N50100008	6000	50 - 100	23.2
TBL 8,0 S	N50100022	8000	0 - 50	24.2
TBL 8,0 L	N50100023	8000	50 - 100	28.8
TBL 10,0 S	N50100024	10000	0 - 50	29.5
TBL 10,0 L	N50100025	10000	50 - 100	35.1
TBL 15,0 S	N50100015	15000	0 - 50	76.0
TBL 15,0 L	N50100016	15000	50 - 100	86.0
TBL 20,0 S	N50100017	20000	0 - 65	123.0
TBL 20,0 L	N50100018	20000	65 - 130	135.0
TBL 30,0 S	N50100019	30000	0 - 65	195.0
TBL 30,0 L	N50100020	30000	65 - 130	256.0



Dimensions TBL

Model	TBL 4,0 S	TBL 4,0 L	TBL 6,0 S	TBL 6,0 L	TBL 8,0 S	TBL 8,0 L	TBL 10,0 S	TBL 10,0 L	TBL 15,0 S	TBL 15,0 L	TBL 20,0 S	TBL 20,0 L	TBL 30,0 S	TBL 30,0 L
A, mm	197	228	293	362	293	362	293	362	360	460	462	560	462	560
B, mm	339	339	442	482	450	482	503	503	550	615	674	724	667	732
Ø C, mm	80	80	89	89	89	89	110	110	130	130	130	130	60	60
D, mm	68	68	95	114	95	114	95	114	125	175	165	195	165	195
E, mm	93	100	143	143	143	143	143	143	162	162	210	210	210	210
F, mm	110	110	129	129	129	129	139	139	204	204	235	235	295	295
G, mm	20	20	20	20	20	20	25	25	45	45	45	45	65	65
H, mm	32	32	35	35	42	42	45	45	55	55	65	65	66	67



TBS plus Plate clamp with hinged hook ring and safety lock

Capacity 1000 - 3000 kg

The TBS plate clamp with hinged hook ring can be used for the safe handling of plates at various angles. It can lift plates from the horizontal and put down in the vertical or alternatively lift it over the edge by gripping it from the side. The hinged hook ring ensures adequate clamping force in every position. Depending on the angle of usage capacity restrictions have to be taken into account, as shown in the diagram below.

The hinged hook ring has the added advantage of providing enough clamping force to hold a plate safely. Even when transporting large-sized plates with the 2-legged lifting system slipping of the load and damage to the clamp is avoided.

In addition to transporting plates, this clamp is suitable for turning steel structures and welded constructions.

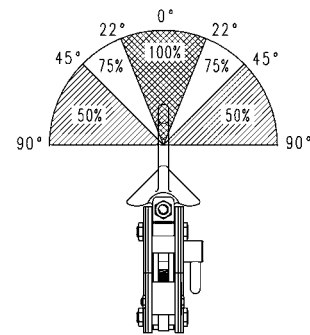
INFO

The surface hardness of the material must not exceed HRC 30/Brinell 300.

The min. load is 10% of the nominal WLL!

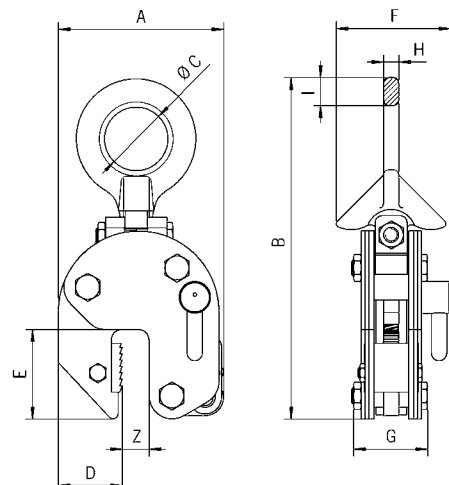
Technical data TBS plus

Model	Art.-No.	Capacity kg	Jaw capacity Z mm	Weight kg
TBS 1,0 plus	N50200312	1000	0 - 20	3.2
TBS 2,0 plus	N50200313	2000	0 - 32	9.4
TBS 3,0 plus	N50200314	3000	0 - 32	9.4



Dimensions TBS plus

Model	TBS 1,0 plus	TBS 2,0 plus	TBS 3,0 plus
A, mm	126	192	192
B, mm	270	382	382
Ø C, mm	50	80	80
D, mm	49	75	75
E, mm	70	96	96
F, mm	95	132	132
G, mm	63	92	92
H, mm	12	20	20
I, mm	23	30	30



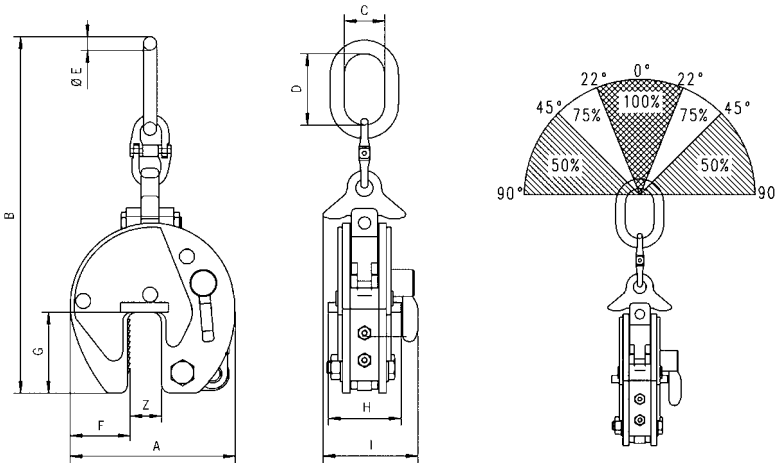
**TBS
Plate clamp
with pivoting shackle and
safety lock**

Capacity 4000 - 10000 kg

INFO

The surface hardness of the material must not exceed HRC 30/Brinell 300.

The min. load is 10 % of the nominal WLL!



Technical data TBS

Model	Art.-No.	Capacity kg	Jaw capacity Z mm	Weight kg
TBS 4,5	N50200309	4500	0 - 50	34.4
TBS 6,0 S	N50200305	6000	0 - 50	38.0
TBS 6,0 L	N50200306	6000	50 - 100	42.0
TBS 8,0 S	N50200307	8000	0 - 50	39.0
TBS 8,0 L	N50200310	8000	50 - 100	42.4
TBS 10,0 S	N50200308	10000	0 - 50	68.0
TBS 10,0 L	N50200311	10000	50 - 100	80.0

Dimensions TBS

Model	TBS 4,5	TBS 6,0 S	TBS 6,0 L	TBS 8,0 S	TBS 8,0 L	TBS 10,0 S	TBS 10,0 L
A, mm	292	292	367	292	367	360	446
B, mm	675	737	785	737	785	903	921
C, mm	95	95	98	98	98	110	112
D, mm	180	176	180	176	180	195	195
Ø E, mm	27.8	27.8	27.8	27.8	27.8	33	33
F, mm	95	95	115	95	115	125	168
G, mm	143	143	143	143	143	162	162
H, mm	135	137	135	136	136	170	170
I, mm	185	188	188	210	210	223	223



TAG **Universal grab**

Capacity 350 - 5000 kg

TWG **- with modified side plates**

Capacity 750 - 1250 kg

The universal grabs TAG and TWG save time, as it does not require chains, cables etc. when hoisting and loading material.

The large jaw capacity allows to tackle a variety of sizes with only one clamp. It can be used for loading machine tools, lifting steel constructions, welding and assembly jobs as well as for concrete and prefabricated pieces.

The universal grab with a small outside measurement is a specially designed grab for use on hard to reach places (e.g. lathe machine).

Features

- The automatic clamping force is retained by a positive tension spring, even if there is slack in the chain.
- The "Quick-Open" type universal grab opens by lifting and simultaneously pulling the lever out against the tension spring. The jaw is closed by the spring.
- Universal grabs up to 2.0 t capacity are equipped with round chains, clamps with increased capacities are delivered with roller chains.

Optional

- Model TAG up to 1.25 t WLL is available with protective lining on the clamping jaws on request. This results in a decrease of the jaw capacity by 10 mm.

INFO

The surface hardness of the material must not exceed HRC 30/Brinell 300.

The min. load is 10% of the nominal WLL!



TWG with modified side plates for use in confined spaces (e.g. lathe machine).

Technical data TAG

Model	Art.-No.	Capacity kg	Jaw width mm	Jaw capacity mm	Weight kg
TAG 0,35/100	N50300801	350	100	0 - 100	8.7
TAG 0,35/200	N50300802	350	200	90 - 200	16.3
TAG 0,75/100	N50300803	750	100	0 - 100	8.6
TAG 0,75/200	N50300804	750	200	90 - 200	16.6
TAG 1,25/100	N50300805	1250	100	0 - 100	14.9
TAG 1,25/200	N50300806	1250	200	90 - 200	24.3
TAG 2,0/100	N50300807	2000	100	0 - 100	20.8
TAG 2,0/200	N50300808	2000	200	90 - 200	29.1
TAG 3,0/90	N50300809	3000	90	5 - 90	26.5
TAG 5,0/90	N50300810	5000	90	5 - 90	30.5
TAG 5,0/170	N50300811	5000	170	80 - 170	43.8

Technical data TWG

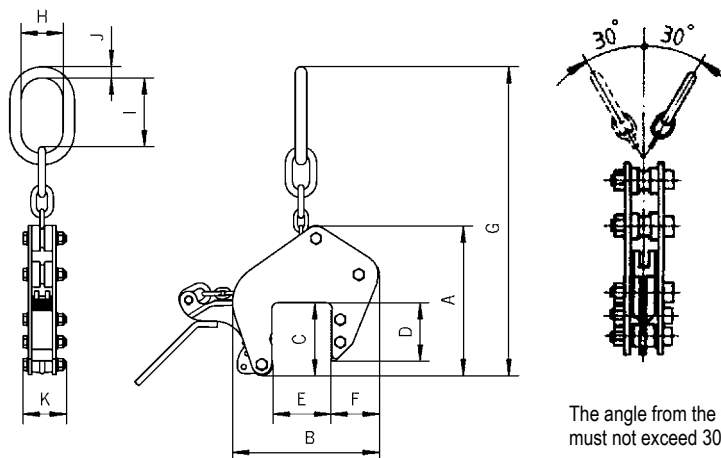
Model	Art.-No.	Capacity kg	Jaw width mm	Jaw capacity mm	Weight kg
TWG 0,75/100	N50300821	750	100	30 - 100	11.0
TWG 1,25/100	N50300822	1250	100	30 - 100	16.0

Dimensions TAG

Model	TAG 0,35/100	TAG 0,35/200	TAG 0,75/100	TAG 0,75/200	TAG 1,25/100	TAG 1,25/200	TAG 2,0/100	TAG 2,0/200	TAG 3,0/90	TAG 5,0/90	TAG 5,0/170
A, mm	264	382	264	382	320	382	328	375	297	297	354
B, mm	259	434	259	434	289	434	415	515	290	290	423
C, mm	128	195	128	195	128	195	135	195	136	136	180
D, mm	100	156	100	156	100	156	115	165	106	106	155
E, mm	100	200	100	200	100	200	100	200	90	90	170
F, mm	85	120	85	120	85	120	105	160	91	91	118
G, mm	550	760	550	760	570	760	571	750	570	570	620
H, mm	75	75	75	75	75	75	75	75	82	82	82
I, mm	121	121	121	121	121	121	121	121	111	111	111
J, mm	20	20	20	20	20	20	20	20	32	32	32
K, mm	78	90	83	90	83	90	105	105	137	147	147

Dimensions TWG

Model	TWG 0,75/100	TWG 1,25/100
A, mm	264	320
B, mm	209	255
C, mm	128	128
D, mm	100	100
E, mm	100	100
F, mm	35	51
G, mm	550	570
H, mm	75	75
I, mm	121	121
J, mm	20	20
K, mm	83	83





TPM

Permanent load lifting magnet

Capacity

100 - 3000 kg (Flat material)

50 - 1500 kg (Round material)

TPM load lifting magnets are ideal tools for easy, quick and thus economical transport of heavy objects made of ferro-magnetic material. Typical operating areas are workshops and warehouses, loading and unloading of machines as well as construction of jigs and fixtures.

Compact design of the units for a large number of applications.

The load is not affected mechanically which allows lifting of flat as well as round material. The efficient magnet body provides strong lifting capacity at low dead weight. The permanent magnets do not require electric energy and will leave only minor residual magnetism on the material after use.

The magnets are activated/deactivated easily by turning a locking lever. In activated condition the hand lever will be safely locked and thus prevent unintended demagnetising.

The selection of the appropriate magnet model should be made under consideration of the varying conditions of the contact surface, kind of material alloy and plate thickness/ bar diameter (see table).

INFO

In order to achieve a maximum capacity, the contact surface should be bright and free from dirt, oil, grease, scale, corrosion, paint etc.



Technical data TPM

Model	Art.-No.	Flat material			Round material			Test load	Weight
		Capacity ¹ max.	Material thickness min. at max. capacity	Length of material max.	Capacity ¹ max.	Diameter min. - max.	Length of material max.		
		kg	mm	mm	kg	mm	mm	kg	kg
TPM 0,1	N56400001	100	14	2000	50	40 - 300	2000	300	5.3
TPM 0,3	N56400002	300	20	2500	150	60 - 300	2500	900	13.5
TPM 0,5	N56400003	500	24	3000	250	60 - 400	3000	1500	27.5
TPM 0,8	N56400004	800	34	3500	400	60 - 400	3500	2400	52.0
TPM 1,0	N56400005	1000	40	3500	500	80 - 400	3500	3000	57.0
TPM 2,0	N56400006	2000	55	3500	1000	100 - 400	3500	6000	125.0
TPM 3,0	192019927	3000	65	3500	1500	200 - 500	3500	9000	195.0

¹gemessen auf ziehblankem Material S 235 JR (ST 37), Luftspalt < 0,1 mm

Dimensions TPM

Model	TPM 0,1	TPM 0,3	TPM 0,5	TPM 0,8	TPM 1,0	TPM 2,0	TPM 3,0
A, mm	122	192	232	302	332	392	497
B, mm	69	95	120	154	154	196	220
C, mm	185	225	270	320	320	420	453
D, mm	160	250	250	450	450	450	600

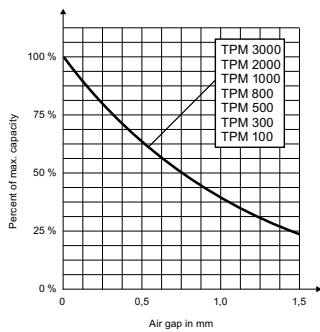


Diagram: WLL/air gap

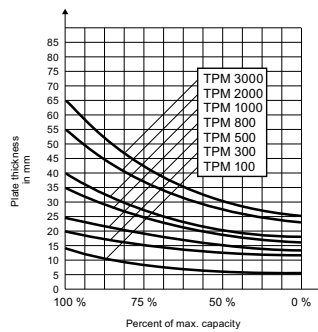
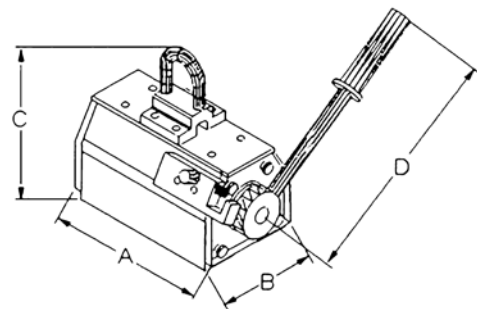
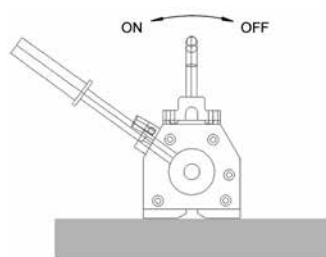


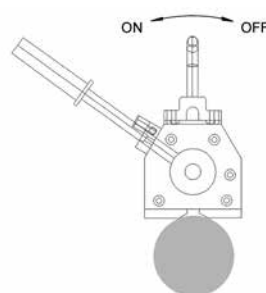
Diagram: WLL/material thickness



TPM



Correct use On/Off



Reduction of capacity	% of capacity
Temperature ≤ 60°C	100 %
Humidity ≤ 80 %	100 %
St 52	95 %
Alloy steel	80 %
High carbon steel	70 %
Cast iron	45 %
Nickel	10 %
Austenitic, stainless steel	0 %
Brass	0 %
Aluminium	0 %





TBP Non-marring grab

Capacity 500 - 1500 kg

The TBP non-marring grab is suitable for lifting, turning and transporting of plates with a sensitive surface without leaving behind indentations.

It can be used for aluminium and stainless steel plate or those with an extremely hard surface.

INFO

The surface of the plate must be free of oil, grease or any other liquid to ensure safe transport.

The min. load is 10 % of the nominal WLL!

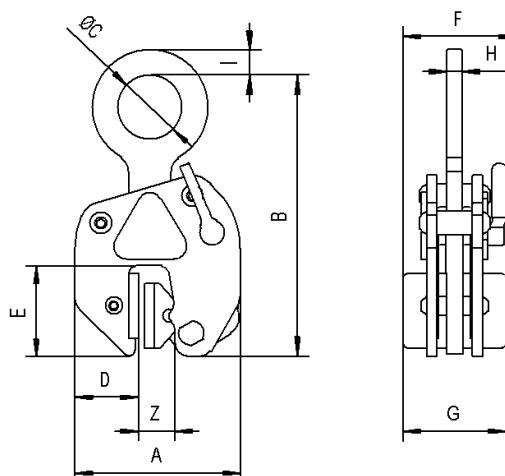
Temperature range from -20 °C up to +60 °C

Technical data TBP

Model	Art.-No.	Capacity kg	Jaw capacity Z mm	Weight kg
TBP 0,5	N51502419	500	0 - 10	3.0
TBP 1,5	N51502420	1500	0 - 20	12.6

Dimensions TBP

Model	TBP 0,5	TBP 1,5
A, mm	127	215
B, mm	200	345
D, mm	52	75
E, mm	69	135
F, mm	87	131
G, mm	76	118
H, mm	13	20
I, mm	20	24
Ø C, mm	55	85



TSB Non-marring grab with chain

Capacity 750 - 1250 kg

The TSB grab has parallel-facing jaws that equally distribute the clamping pressure over a relatively large surface area. This makes the grab attractive for plate material with sensitive surfaces. The protective lining "Bremsit" offers an outstanding friction coefficient, thereby enhancing the grip of the jaws. This lining can be easily replaced when worn.

Similar to the universal grab, this grab has a large jaw capacity and the security of a safety lock device with a hold-open/hold-closed feature.



INFO

The surface of the plate must be free of oil, grease or any other liquid to ensure safe transport.

The min. load is 10% of the nominal WLL!

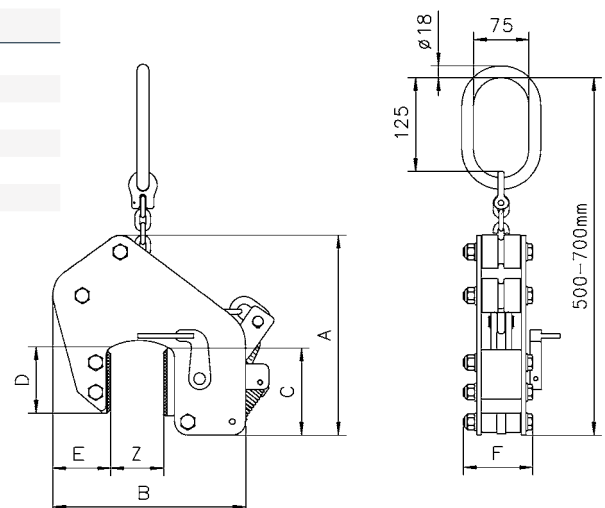
Temperature range from -20 °C up to +60 °C

Technical data TSB

Model	Art.-No.	Capacity kg	Jaw capacity Z mm	Weight kg
TSB 0,75/65	N51202202	750	0 - 65	11.8
TSB 1,25/65	N51202203	1250	0 - 65	16.7

Dimensions TSB

Model	TSB 0,75/65	TSB 1,25/65
A, mm	272	330
B, mm	260	280
C, mm	128	128
D, mm	100	100
E, mm	79	90
F, mm	78	90





TTG Girder grab for horizontal transport

Capacity 500 - 7500 kg

The girder grab TTG is designed for the horizontal transport of girders, metal plates, profiles etc. The offset suspension lug ensures that the flange of the girder will be kept practically horizontal during transport.

The positive safety lock keeps the clamp safely locked, even before the lift begins. This allows the operator to place the clamp, lock it closed and move away from the load. The lever ensures easy opening and closing of the clamping jaw and has a "lock open" feature.

INFO

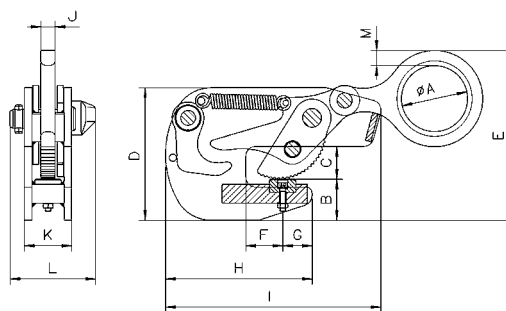
When transporting long girders, it is recommended to use a pair of clamps in conjunction with a spreader beam.

Technical data TTG

Model	Art.-No.	Capacity kg	Jaw capacity mm	Weight kg
TTG 0,5	N50901950	500	0 - 20	2.9
TTG 1,5	N50901951	1500	0 - 30	6.8
TTG 3,0	N50901952	3000	0 - 35	11.3
TTG 4,5	N50901953	4500	0 - 40	14.8
TTG 7,5	N50901954	7500	0 - 45	30.0

Dimensions TTG

Model	TTG 0,5	TTG 1,5	TTG 3,0	TTG 4,5	TTG 7,5
Ø A, mm	50	70	80	90	110
B, mm	36	43	55	60	64
C, mm	25	35	42	46	55
D, mm	148	140	180	196	222
E, mm	200	180	214	248	304
F, mm	27	40	40	40	50
G, mm	20	30	32	35	42
H, mm	95	155	190	207	237
I, mm	110	230	284	314	367
J, mm	10	15	20	20	22
K, mm	56	50	60	64	90
L, mm	85	100	114	117	143
M, mm	13	16	20	25	30



TTR Girder grab for vertical transport

Capacity 750 - 3000 kg

The girder grab TTR is designed for vertical transport, especially for lifting and stacking of girders. The unique position of the offset suspension lug keeps the girder virtually in a vertical position during transport.

The positive safety lock keeps the clamp safely locked, even before the lift begins. This allows the operator to place the clamp, lock it closed and move away from the load. The lever ensures easy opening and closing of the clamping jaw and has a "lock open" feature.



INFO

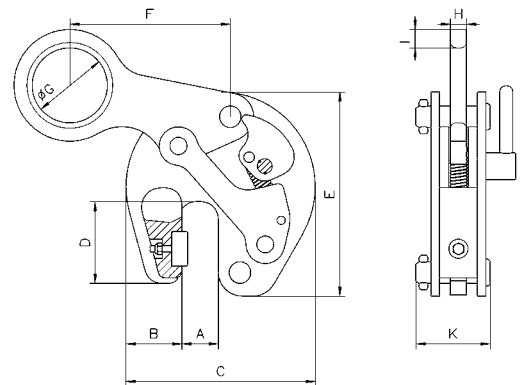
When transporting long girders, it is recommended to use a pair of clamps in conjunction with a spreader beam.

Technical data TTR

Model	Art.-No.	Capacity kg	Jaw capacity mm	Weight kg
TTR 0,75	N51702551	750	5 - 16	3.1
TTR 1,50	N51702552	1500	5 - 25	6.8
TTR 3,00	N51702553	3000	5 - 28	10.9

Dimensions TTR

Model	TTR 0,75	TTR 1,50	TTR 3,00
A, mm	24	33	37
B, mm	40	53	56
C, mm	132	176	194
D, mm	62	76	78
E, mm	145	190	208
F, mm	118	152	163
Ø G, mm	50	70	80
H, mm	12	15	20
I, mm	12	17	23
K, mm	53	69	85





TTT Girder grab for horizontal transport

Capacity 750 - 4500 kg

The girder grab TTT is used for the horizontal transport of steel girders. Due to the split fixed jaw, it can be positioned centrally on the end of the beam. The grab should only be used in pairs.

The safety lock with positive spring tension holds the grab in position on the end of the girder even without load tension.

The lever is used to engage and disengage the jaw and to keep it open.

INFO

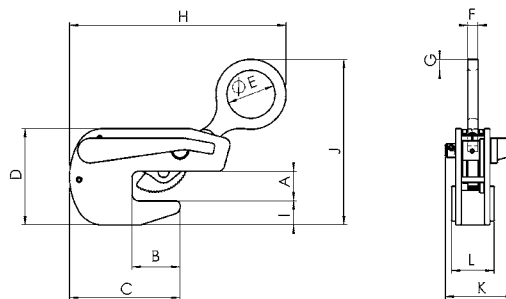
The angle from the vertical must not exceed 30°!

Technical data TTT

Model	Art.-No.	Capacity kg	Jaw capacity mm	Weight kg
TTT 0,75	N54509121	750	0 - 20	3
TTT 1,5	N54509122	1500	0 - 35	6
TTT 3,0	N54509123	3000	0 - 40	10
TTT 4,5	N54509124	4500	0 - 45	16

Dimensions TTT

Model	TTT 0,75	TTT 1,5	TTT 3,0	TTT 4,5
A, mm	30	38	50	60
B, mm	70	70	75	90
C, mm	100	155	195	222
D, mm	142	150	195	222
Ø E, mm	50	70	80	90
F, mm	16	19	19	22
G, mm	16	20	25	30
H, mm	225	335	400	450
I, mm	45	45	80	90
J, mm	200	210	214	248
K, mm	106	120	125	147
L, mm	52	66	80	88



TCG
Girder grab
for transportation and turning of
steel girders

Capacity 100 - 2000 kg

The main purpose of the CG girder turning clamps are for the transportation and turning of steel girders through 90°. They can be used individually or for longer beams used in in pairs in conjunction with a spreader beam. The clamps are attached to the horizontal flange of the girder and locked in place by the jaw locking lever. Once lifted the girder will turn through 90°.

These plate clamps are service-friendly, making it easy to exchange parts, which are readily available. Clamp repairs must be done by a trained person.



INFO

For longer girders use two clamps and a lifting beam!

Technical data TCG

Model	Art.-No.	Capacity kg	Jaw capacity mm	Weight kg
TCG 1	N4300000036	100 - 1 000	0 - 16	6
TCG 2	N4300000037	200 - 2000	0 - 32	14

Dimensions TCG

Model	TCG 1	TCG 2
A, mm	211	290
B, mm	90	140
C, mm	50	80
D, mm	13	20
E, mm	43	60
F, mm	263	317
G, mm	64	100
H, mm	350	465
I, mm	337	435



Similar images



TCH Horizontal lifting gear

Capacity 1000 - 20000 kg

The TCH lifting clamp is designed to be used as a pair with a two-legged chain sling.

It is especially suited for the transport of single plates with a minimum thickness of approx. 5 mm as well as for plate bundles. The two-legged version is appropriate for normal sized plates.

For extra large or long plates, it is recommended to use two sets of the two-legged lifting gears in conjunction with a spreader beam. In the standard version, the lifting clamp is suitable for plates up to 1500 mm width. Lifting gears with longer chains for larger plate widths are available on request.

INFO

The angle from the vertical must not exceed 45°!

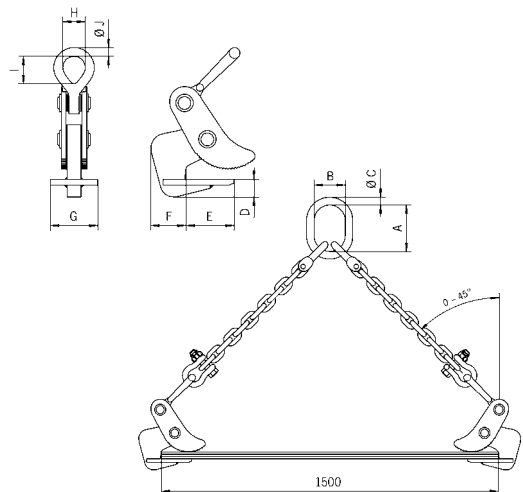
The capacity applies to a pair of lifting clamps.

Technical data TCH

Model	Art.-No. single clamp	Capacity ¹ kg	Jaw capacity mm	Weight ² kg
TCH 1,0	N50501517	1000	0 - 50	13.0
TCH 2,0	N50501511	2000	5 - 32	17.7
TCH 4,0	N50501512	4000	5 - 50	31.0
TCH 6,0	N50501513	6000	5 - 75	69.0
TCH 8,0	N50501514	8000	5 - 75	72.0
TCH 10,0/1	N50501515	10000	5 - 100	93.8
TCH 10,0/2	N50501516	10000	50 - 150	108.6
TCH 15,0/1	N4300012878	15000	5 - 100	110
TCH 15,0/2	N4300012879	15000	50 - 150	123
TCH 20,0/1	N4300014489	20000	5 - 100	165
TCH 20,0/2	N4300014491	20000	50 - 150	172

¹Per pair, up to an angle of 45° from the vertical

²Approx. weight for 2 single clamps with a chain length = 1 m



Dimensions TCH

Model	TCH 1,0	TCH 2,0	TCH 4,0	TCH 6,0	TCH 8,0	TCH 10,0/1	TCH 10,0/2	TCH 15,0/1	TCH 15,0/2	TCH 20,0/1	TCH 20,0/2
A, mm	135	160	180	200	260	300	300	-	-	-	-
B, mm	75	90	100	110	140	160	160	-	-	-	-
Ø C, mm	18	22	26	32	36	40	40	-	-	-	-
D, mm	15	32	44	58	56	70	66	71	71	70	70
E, mm	82	83	114	172	170	216	218	230	230	220	220
F, mm	65	61	75	97	100	116	116	120	120	118	118
G, mm	100	100	99	129	128	149	150	150	150	220	220
H, mm	32	49	62	90	90	113	113	144	144	80	80
I, mm	44	72	89	127	130	113	113	144	144	120	120
Ø J, mm	13	19	26	36	37	50	50	50	50	60	60

TGF Horizontal lifting gear

Capacity 1300 - 10000 kg

The TGF horizontal lifting gear consists of two clamps with a two-legged chain sling and is especially suited for the transport of plate bundles.

The clamps are easily adjusted to the height of the plate by a special ratcheting lever.

The lifting clamps are available in special versions for bundle thicknesses up to 400 mm. The lifting gear is made according to your requirements.



INFO

The angle from the vertical must not exceed 45°!

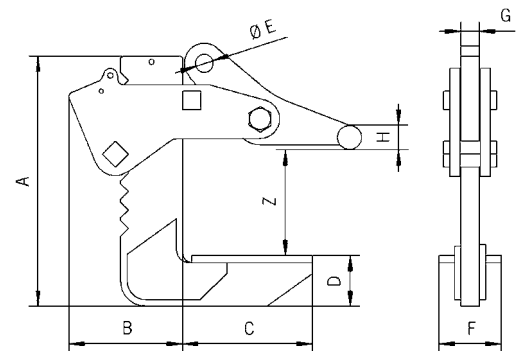
The capacity applies to a pair of lifting clamps.

Technical data TGF

Model	Art.-No. single clamp	Capacity ¹	Jaw capacity Z	Weight ²
		kg	mm	kg
TGF 1,3/150	N50601617	1300	0 - 150	23
TGF 3,3/150	N50601619	3300	0 - 150	39
TGF 6,6/150	N50601621	6650	0 - 150	65
TGF 1,3/250	N50601624	1300	0 - 250	23
TGF 3,3/250	N50601626	3300	0 - 250	39
TGF 6,6/250	N50601628	6650	0 - 250	87
TGF 10,0/300	192065646	10000	0 - 300	92

¹Per pair, up to an angle of 45° from the vertical

²Approx. weight for 2 single clamps with a chain length = 1 m



Dimensions TGF

Model	TGF 1,3/150	TGF 3,3/150	TGF 6,6/150	TGF 1,3/250	TGF 3,3/250	TGF 6,6/250	TGF 10,0/300
A, mm	298	321	405	448	417	495	495
B, mm	122	130	185	122	130	185	210
C, mm	160	160	210	140	160	210	240
D, mm	41	50	82	41	60	82	100
Ø E, mm	20	23	30	20	23	30	40
F, mm	80	80	100	80	80	100	120
G, mm	20	25	30	20	25	30	50
Ø H, mm	25	25	40	25	25	40	40



BVH Horizontal lifting hook

Capacity 500 - 7500 kg

The BVH horizontal lifting hooks are used in pairs with chain or wire rope slings to lift plate bundles that are relatively close to the ground.

The high tensile hooks have a serrated lifting surface.

INFO

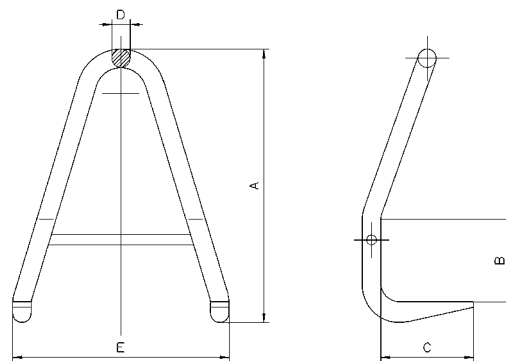
The angle from the vertical must be 30 - 45°!

The chain has to be in line with the crank of the lifting hooks.

Technical data BVH

Model	Art.-No.	Capacity ¹ kg	Weight kg
BVH 0,5	N50500001	500	1.2
BVH 1,12	N50500002	1120	1.4
BVH 1,5	N50500003	1500	2.4
BVH 2,0	N50500004	2000	3.9
BVH 2,5	N50500005	2500	8.2
BVH 3,2	N50500006	3200	8.3
BVH 4,0	N50500007	4000	13.6
BVH 5,3	N50500008	5300	21.0
BVH 6,0	N50500009	6000	39.0
BVH 7,5	N50500010	7500	60.0

¹Per unit



Dimensions BVH

Model	BVH 0,5	BVH 1,12	BVH 1,5	BVH 2,0	BVH 2,5	BVH 3,2	BVH 4,0	BVH 5,3	BVH 6,0	BVH 7,5
A, mm	180	210	240	280	340	400	530	660	800	980
B, mm	50	60	70	80	100	120	160	200	250	300
C, mm	80	95	105	115	120	140	180	210	250	300
D, mm	18	20	22	26	32	32	36	40	50	60
E, mm	150	170	200	220	270	320	420	520	640	760

THS Lifting clamp with safety lock

Capacity 750 - 4500 kg

The THS lifting clamp is normally used in pairs especially for the horizontal transport of plates. The transport of slightly sagging plates is also possible. Individually, it can be used to load presses shears, and other machines. The safety lock is preventing the clamp from opening, even when there is no load. The jaws can be opened and closed with the safety lock lever. This clamp has a lock-open feature.



Optional

- THS 1,5 and THS 3,0 are available with a hinged hook ring on request



INFO

When used in pairs the angle from the vertical must not exceed 30°.

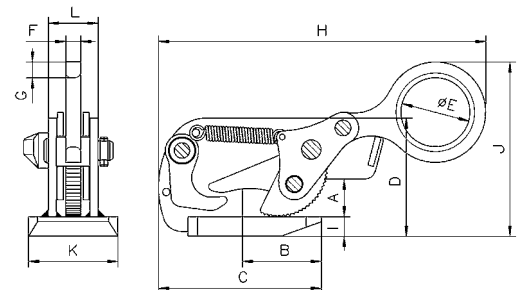
Technical data THS

Model	Art.-No.	Capacity ¹ kg	Jaw capacity mm	Weight kg
THS 0,75	N50801851	750	0 - 20	3.2
THS 1,5	N50801852	1500	0 - 35	6.1
THS 3,0	N50801853	3000	0 - 40	12.7
THS 4,5	N50801854	4500	0 - 40	16.5

¹Per unit

Dimensions THS

Model	THS 0,75	THS 1,5	THS 3,0	THS 4,5
A, mm	30	38	45	47
B, mm	70	80	95	110
C, mm	130	165	205	235
D, mm	97	120	160	196
Ø E, mm	50	70	80	90
F, mm	12	15	20	20
G, mm	15	17	25	30
H, mm	255	335	400	450
I, mm	15	20	30	59
J, mm	135	165	195	230
K, mm	80	90	100	110
L, mm	40	50	60	64





TWH Lifting clamp

Capacity 1500 - 5000 kg

The TWH lifting clamp, when used in pairs, is well-suited for horizontal transport of individual and bundled plates. The clamp is not suited for thin plates that have a tendency to sag during transport.

It is normally used in combination with a two-legged chain sling.

The capacity (WLL) applies to a pair of lifting clamps.

Optional

- Protective lining

INFO

The angle from the vertical must not exceed 45°.

Technical data TWH

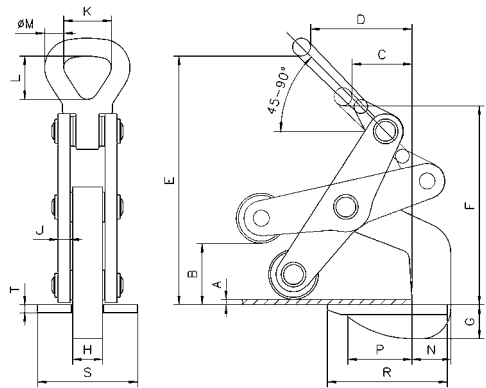
Model	Art.-No.	Capacity ¹ kg	Jaw capacity mm	Weight ² kg
TWH 30 with roller	N54509101	1500	5 - 60	5.6
TWH 50 with roller	N54509102	2500	10 - 70	10.3
TWH 70 with roller	N54509103	3500	10 - 80	13.4
TWH 100 with roller	N54509104	5000	10 - 102	27.7
TWH 30 with plate	N54509105	1500	5 - 60	5.7
TWH 70 with plate	N54509107	3500	10 - 80	13.5

¹Per pair, angle from the vertical max. 45°

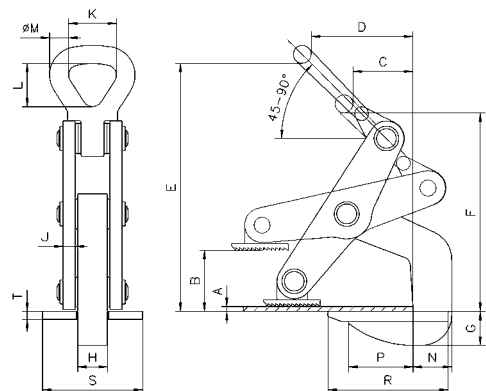
²Per unit

Dimensions TWH

Model	TWH 30 mit Rolle	TWH 50 mit Rolle	TWH 70 mit Rolle	TWH 100 mit Rolle	TWH 30 mit Platte	TWH 70 mit Platte
A, mm	5	10	10	10	5	10
B, mm	60	70	80	102	60	80
C, mm	60	75	90	110	60	90
D, mm	105	130	162	170	105	162
E, mm	250	315	345	425	250	345
F, mm	200	275	292	345	200	292
G, mm	31	45	55	57	22	48
H, mm	30	30	30	45	30	30
J, mm	12	12	15	20	12	15
K, mm	50	64	64	89	50	64
L, mm	73	92	92	130	73	92
Ø M, mm	18	25	25	35	18	25
N, mm	36	58	65	80	36	65
P, mm	65	77	105	120	65	105
R, mm	120	150	185	210	120	185
S, mm	100	100	100	120	100	100
T, mm	10	10	10	12	10	10



TWH with roller



TWH with plate

THK Lifting clamp

Capacity 750 - 9000 kg

The THK lifting clamp, when used in pairs, is especially well-suited for horizontal transport of thin plates that have a tendency to sag.

It is normally used in combination with a two-legged chain sling.

The capacity applies to a pair of lifting clamps.



INFO

The angle from the vertical must not exceed 30°!

Technical data THK

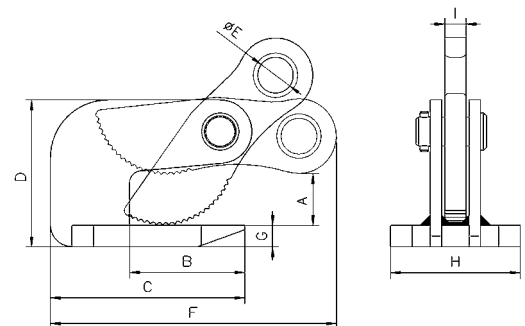
Model	Art.-No.	Capacity ¹ kg	Jaw capacity mm	Weight ² kg
THK 0,75	N50701751	750	0 - 25	1.7
THK 1,5	N50701752	1500	0 - 35	3.2
THK 3,0	N50701753	3000	0 - 35	5.7
THK 4,5	N50701754	4500	0 - 45	8.4
THK 6,0	N50701755	6000	0 - 60	11.6
THK 9,0	N50701756	9000	0 - 60	17.9

¹Per pair, angle from the vertical max. 30°

²Per unit

Dimensions THK

Model	THK 0,75	THK 1,5	THK 3,0	THK 4,5	THK 6,0	THK 9,0
A, mm	25	36	38	48	63	65
B, mm	72	80	93	103	124	113
C, mm	118	135	168	183	214	223
D, mm	81	102	119	140	176	188
Ø E, mm	20	25	30	30	35	40
F, mm	161	198	227	238	284	317
G, mm	12	15	20	25	30	35
H, mm	86	102	110	122	110	148
I, mm	12	15	20	20	20	20





TPZ Board clamp

Capacity 400 - 750 kg

The TPZ clamp is made for lifting and vertically transporting wood, particle board and plastic sheets.

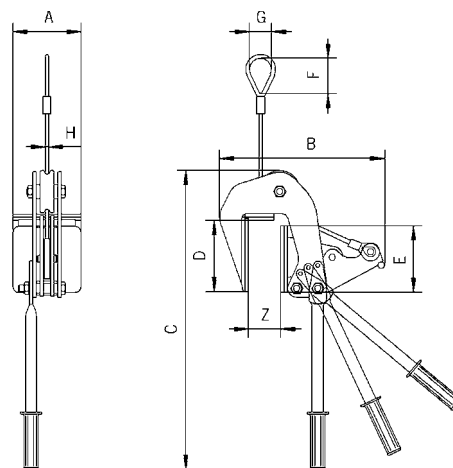
The pliers are fastened to the plate with the aid of a hand-held lever. The jaw, which has a protective lining, grabs once lifting begins and holds the board securely.

Technical data TPZ

Model	Art.-No.	Capacity kg	Jaw capacity Z mm	Weight kg
TPZ 0,4/50	N56200001	400	5 - 50	6.3
TPZ 0,4/100	N56200002	400	50 - 100	9.0
TPZ 0,75/60	N56200003	750	5 - 60	12.0
TPZ 0,75/120	N56200004	750	60 - 120	14.0

Dimensions TPZ

Model	TPZ 0,4/50	TPZ 0,4/100	TPZ 0,75/60	TPZ 0,75/120
A, mm	120	120	155	155
B, mm	290	335	349	406
C, mm	525	525	545	560
D, mm	125	125	145	145
E, mm	117	117	135	135
F, mm	60	60	121	121
G, mm	40	40	75	75
H, mm	6	6	8 x 24	8 x 24



TPZ, up to 400 kg equipped with rope,
from 750 kg equipped with chain.

THM Manual claw, magnetic

Capacity 120 - 170 kg

The THM manual magnetic claw is used for transporting steel sheets horizontally and vertically, lifting plates from racks, pulling steel sheets out of shelving, as well as transporting flat pieces of magnetizable steel.

The clamp, depending on the type, can be used for plate thicknesses from 1 to 5 mm.

Pressing down on the handle activates a cam which releases the magnetic claw from the workpiece.

This manual claw is maintenance-free and keeps the magnetic force for an unlimited period of time.



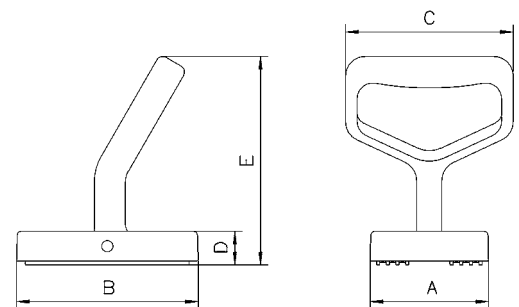
Technical data THM

Model	Art.-No.	Capacity ¹ kg	Pulling capacity ¹ kg	Weight kg
THM 120	N51602501	120	70	2
THM 170	N51602502	170	100	2

¹Measured at a safety factor 2:1 on bright drawn material St37 k

Dimensions THM

Model	THM 120	THM 170
A, mm	116	116
B, mm	140	140
C, mm	130	130
D, mm	25	25
E, mm	172	172



INFO

In order to achieve a maximum capacity, the contact surface should be bright and free from dirt, oil, grease, scale, corrosion, paint etc.





THG Hand clamp

Capacity 250 kg

The THG hand clamp is suited for the individual transport of light and thin plates. Pressing down on the hand grip releases the tension spring, allowing the clamp to open and slide onto the plate.

The plate can be transported by holding onto the ergonomically designed hand grip.

The positive spring pressure prevents the plate from accidental slipping out of the clamp.

INFO

The plate surface of the material must not exceed a hardness of HRC 30.

Technical data THG

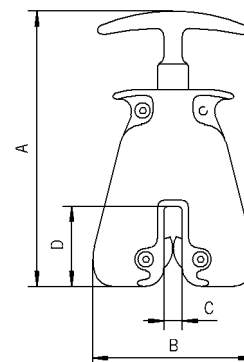
Model	Art.-No.	Capacity kg	Jaw capacity mm	Weight kg
THG	N51502415	250	0 - 10	1.4
THG EX ¹	N4300013269	250	0 - 10	1.5
THG EB ²	N4300007661	250	0 - 10	1.4

¹EX = Extended handle (L= 300 mm)

²EB = Eye bolt (instead of handle)

Dimensions THG

Model	THG	THG EX	THG EB
A, mm	184	280	610
B, mm	105	105	105
C, mm	12	12	12
D, mm	53	53	53
Thickness, mm	40	40	40



Attaching



Transport

TSH Screw clamp for vertical and horizontal pulling

Capacity 750 - 5000 kg

The screw clamp offers many possible applications. It is particularly useful for lifting, turning and pulling steel plates, girders and steel constructions.

The spindle is closed only finger tight.

Once the screw clamp is tightened and lifting begins, the pivoting pad clamping system produces a wedging action against the material, holding it securely (see below functional drawing).

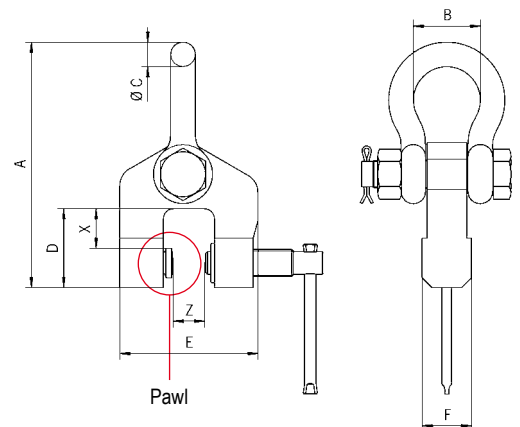


Technical data TSH

Model	Art.-No.	Capacity kg	Jaw capacity Z mm	Weight kg
TSH 0,75	N51502400	750	0 - 28	3.1
TSH 1,5	N51502401	1500	0 - 32	7.4
TSH 2,0	N51502422	2000	90 - 140	14.8
TSH 2,0 S	N51502428	2000	50 - 100	14.5
TSH 3,0	N51502402	3000	0 - 50	11.4
TSH 5,0	N51502403	5000	0 - 80	27.6

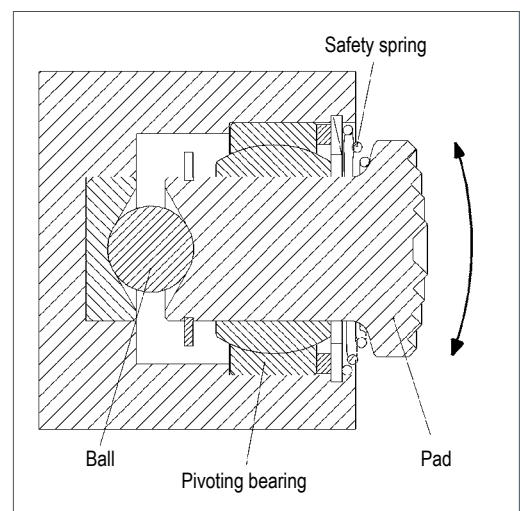
Dimensions TSH

Model	TSH 0,75	TSH 1,5	TSH 2,0	TSH 2,0 S	TSH 3,0	TSH 5,0
A, mm	190	255	318	318	290	470
B, mm	52	65	74	74	74	130
Ø C, mm	19	26	30	30	30	50
D, mm	43	75	90	90	85	135
E, mm	113	130	286	246	170	225
F, mm	35	44	60	60	50	72
X, mm	15	40	38	38	40	50



INFO

The plate surface of the material must not exceed a hardness level of HRC 50.



Functional drawing pivoting pad



TSZ Screw clamp for three-dimensional pulling

Capacity 500 - 7500 kg

The TSZ screw clamp is designed to pull in three directions. It offers many different possibilities for transporting steel constructions, feeding machining centres, etc.

The spindle is closed only finger tight.

When the screw clamp is tightened and lifting begins, the pivoting pad clamping system produces a wedging action against the material, holding it securely (see below functional drawing).

INFO

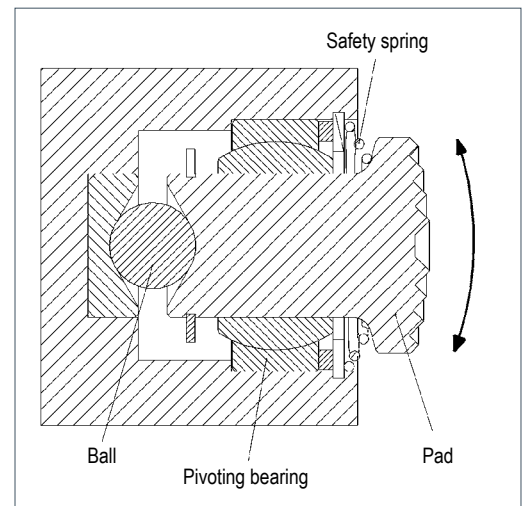
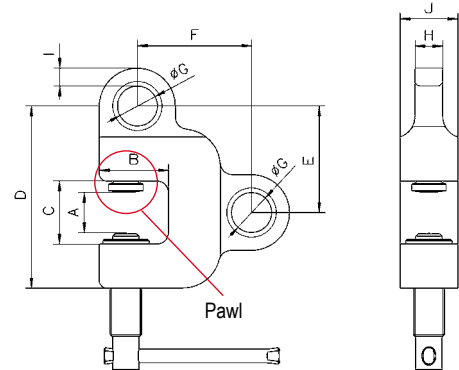
The plate surface of the material must not exceed a hardness level of HRC 50.

Technical data TSZ

Model	Art.-No.	Capacity kg	Jaw capacity mm	Weight kg
TSZ 0,5	N51502410	500	0 - 28	2.3
TSZ 1,5	N51502411	1500	0 - 35	5.6
TSZ 3,0	N51502412	3000	0 - 35	8.8
TSZ 5,0	N51502413	5000	0 - 40	16.2
TSZ 7,5	N51502414	7500	0 - 40	20.9

Dimensions TSZ

Model	TSZ 0,5	TSZ 1,5	TSZ 3,0	TSZ 5,0	TSZ 7,5
A, mm	28	35	35	40	40
B, mm	43	60	67	85	92
C, mm	45	55	65	75	75
D, mm	125	158	195	230	240
E, mm	72	93	114	133	143
F, mm	83	99	120	150	162
Ø G, mm	26	35	46	55	65
H, mm	16	24	34	40	50
I, mm	12	16	17	18	23
J, mm	35	50	60	75	80



Functional drawing pivoting pad

TRU Roundstock grab

Capacity 100 - 4000 kg

The TRU roundstock grab picks up roundstock and pipe material up to 600 mm in diameter quickly and safely. With its optional protective lining, it can also pick up materials with sensitive surfaces.

INFO

When using protective lining, it is important that the surfaces are dry, clean and free of oil and grease.

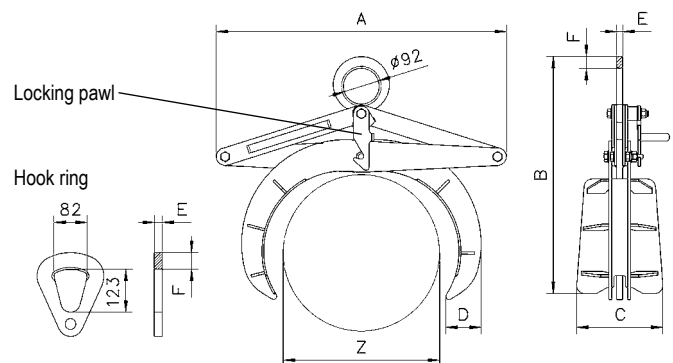


Technical data TRU

Model	Art.-No.	Art.-No. with protective lining	Capacity kg	Jaw capacity Z mm	Weight kg
TRU 0,1/150	N51902711	N51902712	100	50 - 150	4.2
TRU 0,5/200	N51902701	N51902706	500	35 - 200	13.6
TRU 1,0/200	N51902702	N51902707	1000	35 - 200	13.6
TRU 1,5/300	N51902703	N51902708	1500	80 - 300	27.0
TRU 3,0/300	N51902704	N51902709	3000	80 - 300	49.0
TRU 4,0/600	N51902705	N51902710	4000	200 - 600	204.0

Dimensions TRU

Model	TRU 0,1/150	TRU 0,5/200	TRU 1,0/200	TRU 1,5/300	TRU 3,0/300	TRU 4,0/600
A, mm	270	503	509	720	740	1420
B min., mm	292	417	437	520	582	930
B max., mm	458	723	745	937	960	1815
C, mm	97	150	178	204	220	318
D, mm	43	56	82	84	125	205
E, mm	8	15	15	20	20	30
F, mm	17	17	30	25	30	35



TRU, hook ring for grabs for 2000 kg and above.
Locking pawl keeps the grab in the open position.



TPR
Profile steel grab

Capacity 500 - 3000 kg

The TPR steel grab is designed for transport of girders, profile steel, etc. It boasts a large jaw capacity, which makes it useful for various flange widths.

The clamping jaws press securely with a positive fit to the girder.

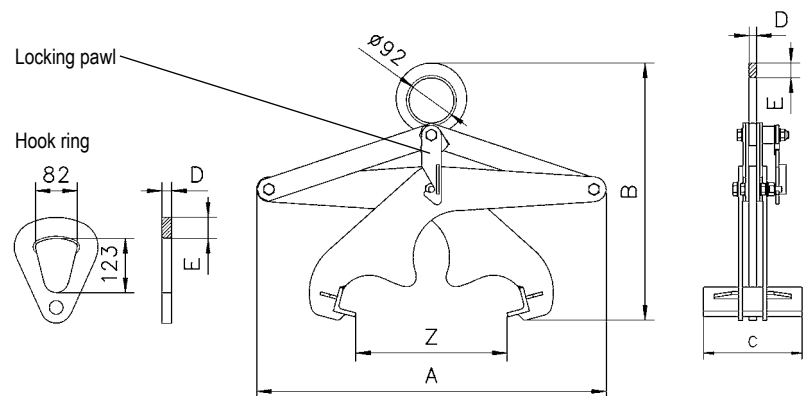


Technical data TPR

Model	Art.-No.	Capacity kg	Jaw capacity Z mm	Weight kg
TPR 0,5/200	N51802601	500	0 - 200	15.0
TPR 1,5/300	N51802602	1500	0 - 300	22.6
TPR 3,0/300	N51802603	3000	0 - 300	41.7

Dimensions TPR

Model	TPR 0,5/200	TPR 1,5/300	TPR 3,0/300
A, mm	510	710	720
B min., mm	390	495	525
B max., mm	625	830	920
C, mm	200	200	220
D, mm	15	15	20
E, mm	30	30	43



Hook ring for grabs for 2000 kg and above.
Locking pawl keeps the grab in the open position.

TVB Block grab

Capacity 250 and 500 kg

The TVB block grab is useful for the transport of stone and concrete blocks and other materials with parallel surfaces. The grab has a protective lining to ensure a safe and non-marring transport.

The clamping jaw and the center of gravity are easily and quickly adjustable by means of the locking pin.



INFO

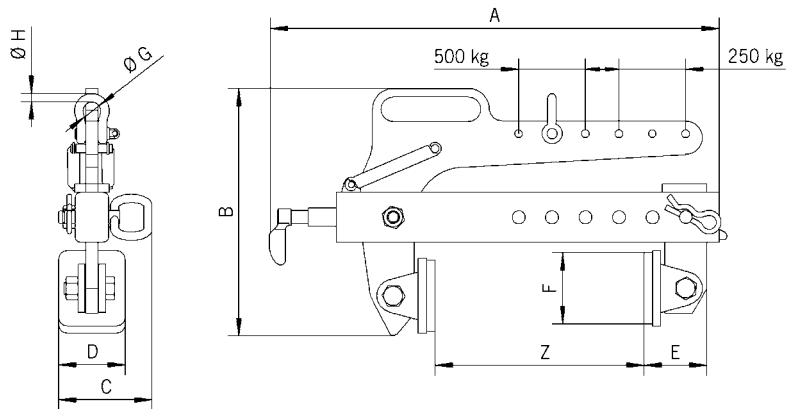
It is important that the surfaces are dry, clean and free of oil and grease.

Technical data TVB

Model	Art.-No.	Capacity kg	Jaw capacity Z mm	Weight kg
TVB 500	N52625000	250/500	0 - 240	13

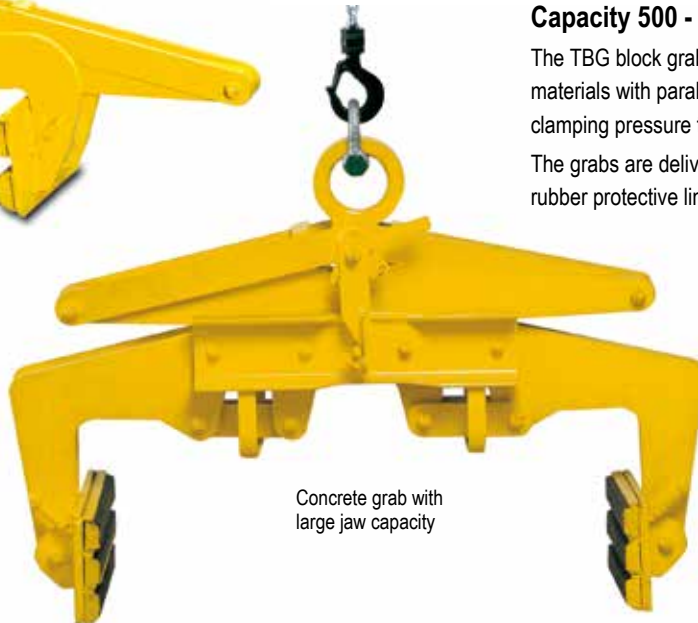
Dimensions TVB

Model	TVB 500
A, mm	537
B, mm	296
C, mm	112
D, mm	80
E, mm	75
F, mm	85
Ø G, mm	22
Ø H, mm	10





Concrete grab with small jaw capacity



Concrete grab with large jaw capacity

TBG Concrete grab

Capacity 500 - 1000 kg

The TBG block grabs are suited for the transport of all materials with parallel surfaces that can withstand a clamping pressure twice as high as the load being lifted.

The grabs are delivered with a replaceable hard rubber protective lining as standard.



Technical data TBG with small and large jaw capacity

Model	Art.-No.	Capacity kg	Jaw capacity Z mm	Weight kg
TBG 0,5/150	N52604009	500	0 - 150	27
TBG 1,0/250	N52604010	1000	50 - 250	50
TBG 0,2/500	N52604156	200	200 - 500	49
TBG 0,3/700	N52604157	300	400 - 700	52
TBG 0,5/900	N52604158	500	600 - 900	55
TBG 1,0/400	N52704251	1000	100 - 400	51
TBG 1,0/1100	N52604159	1000	800 - 1100	72

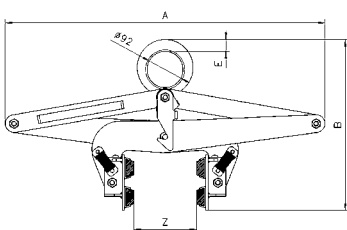
INFO

When using rubber protective lining it is important that the surfaces are dry, clean and free of oil and grease.

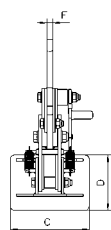
Dimensions TBG with small and large jaw capacity

Model	TBG 0,5/150	TBG 1,0/250	TBG 0,2/500	TBG 0,3/700	TBG 0,5/900	TBG 1,0/400	TBG 1,0/1100
A ¹ , mm	815	1.050	1.040	1.040	1.120	1.040	1.320
B min., mm	420	460	390	390	390	390	390
B max., mm	760	980	840	840	840	840	840
C, mm	200	250	275	275	275	250	275
D, mm	160	160	160	160	160	160	160
E, mm	30	29	300	300	300	300	300
F, mm	15	20	35	35	35	35	35
G, mm	-	-	20	20	20	20	20

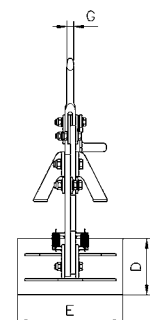
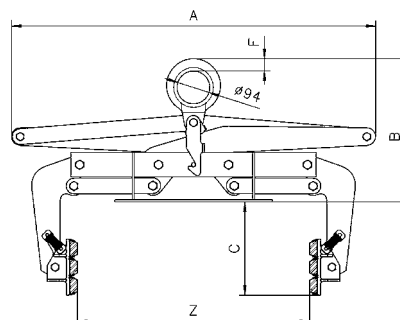
¹Scissor dimensions



TBG with small jaw capacity



TBG with large jaw capacity



TBA Bale grab

Capacity 200 - 1000 kg

The TBA bale grab transports bales of fiber, wool, fabric, paper, pressed straw and various types of shavings up to a width of 1.3 m. Bales are gripped safely yet gently, and where applicable, the clamps are lined with a soft and pliable material.

The locking pawl only engages if the grab is opened without manual intervention.



INFO

The standard grab is equipped with protective linings.

Serrated jaws available on request.

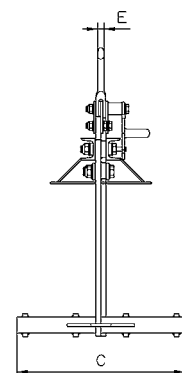
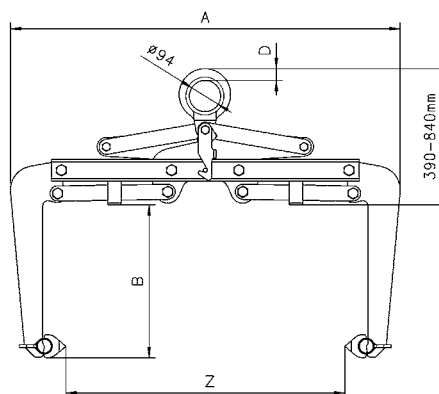


Technical data TBA

Model	Art.-No. with protective lining	Capacity	Jaw capacity Z	Weight
		kg	mm	kg
TBA 0,2/700	N52804501	200	250 - 700	40
TBA 0,3/900	N52804502	300	450 - 900	42
TBA 0,5/1100	N52804503	500	650 - 1100	45
TBA 0,75/1300	N52804504	750	850 - 1300	62
TBA 1,0/1300	N52804505	1.000	850 - 1.300	62

Dimensions TBA

Model	TBA 0,2/700	TBA 0,3/900	TBA 0,5/1100	TBA 0,75/1300	TBA 1,0/1300
A, mm	890	1090	1290	1550	1550
B, mm	420	420	420	420	420
C, mm	500	500	500	500	500
D, mm	35	35	35	35	35
E, mm	20	20	20	20	20



TBA 0,2-1t
with serrated jaw



TCU



TCO



Container lifting lug TCO

TCU and TCO Container lifting lugs

Capacity 32000 - 56000 kg

The lugs serve as flexible attachment points for the transport of containers. Two types are available which can be fastened to either the "top" or to the "bottom" of the container.

These container lifting lugs are offered in a set of 4 pieces.

TCO

TCO is vertically mounted in the hole at the top of the container. Turning the TCO 90°, locks it securely in place.

Transport is done with the use of a spreader beam in conjunction with wire rope, chain or textile slings making sure the load is suspended vertically.

TCU

TCU is laterlay mounted at the bottom fixing hole on the container and has a spring-loaded bolt to prevent an accidental release.

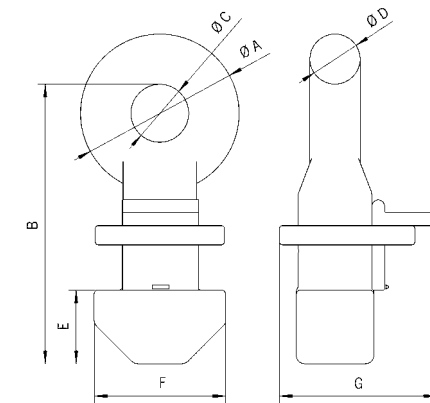
Technical data TCO and TCU

Model	Art.-No.	Capacity ¹ kg	Weight ¹ kg	Sling angle from vertical
TCU 32	N53508014	32000	19.5	50°
TCU 40	N53508014	40000	19.5	36°
TCO 56	N53508016	56000	30.1	vertical

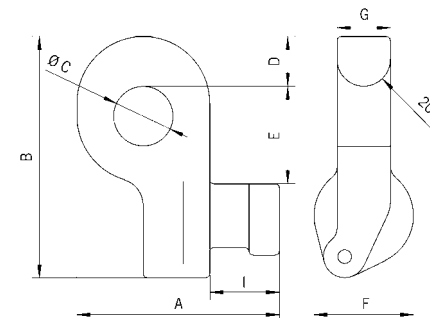
¹set of 4 pieces

Dimensions TCO and TCU

Model	TCU 32	TCU 40	TCO 56
A, mm	152	152	123
B, mm	181	181	217
Ø C, mm	45	45	45
D, mm	37	37	39
E, mm	73	73	57
F, mm	75	75	101
G, mm	40	40	121
I, mm	51	51	-



TCO



TCU

TKB Clamps for cable drums

Capacity 5000 kg

Specifically designed for the transport of cable drums, these clamps are used in pairs together with a two-legged chain sling.

By the spreading of the clamp, it locks inside the drum.

The clamps can be held in place by a locking lever.

Easy handling, light-weight design, and the size of the clamp contribute to a safe transport of all types of cable drums.



INFO

Various sizes are available on request. Please supply dimensions C and D!

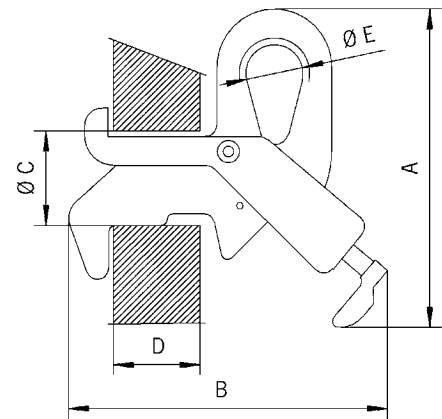
Technical data TKB

Model	Art.-No.	Capacity ¹ kg	Weight kg
TKB	N52210000	5000	11

¹Per pair

Dimensions TKB

Model	TKB
A, mm	277
B, mm	277
Ø C, mm	82
D, mm	85
Ø E, mm	50





TCR Rail grab with safety lock

Capacity 1000 - 2000 kg

The TCR rail grab transports rails, as used by railways, easily and safely. A safe grip is ensured by the lever operated safety lock. For long rails, two grabs must be attached to a spreader beam to avoid sagging.

Since the rails are primarily grabbed with positive fit, it is important that the clamp stays in a vertical position during initial lift.

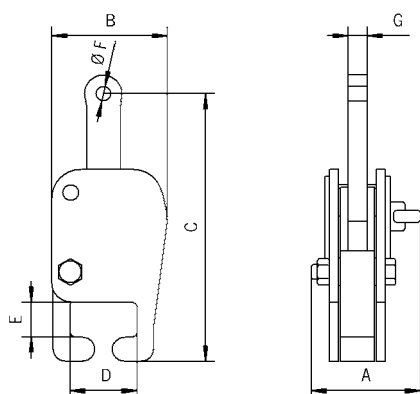
Technical data TCR

Model	Art.-No.	Capacity kg	Weight kg
TCR 1,0	N51402351	1000	12.4
TCR 2,0	N51402352	2000	13.9

Dimensions TCR

Model	TCR 1,0	TCR 2,0
A ¹ , mm	144	144
B, mm	152	163
C, mm	350	350
D, mm	90	90
E, mm	46	46
Ø F, mm	20	20
G, mm	25	25

¹Scissor dimensions



INFO

For special sizes please advise rail type and profile!

A TCR multiple rail system is also available for the simultaneous transport of up to 12 rails.

For rail jacks please see page 138.

MR Multi-rail grab

Capacity 5000 - 12000 kg

The multiple rail grab with fixed adapter for one rail type is used wherever rails are loaded using a crane and lifting gear, e.g. in ports, steelworks, on the road and in storage yards.

They are used in pairs.



Technical data MR

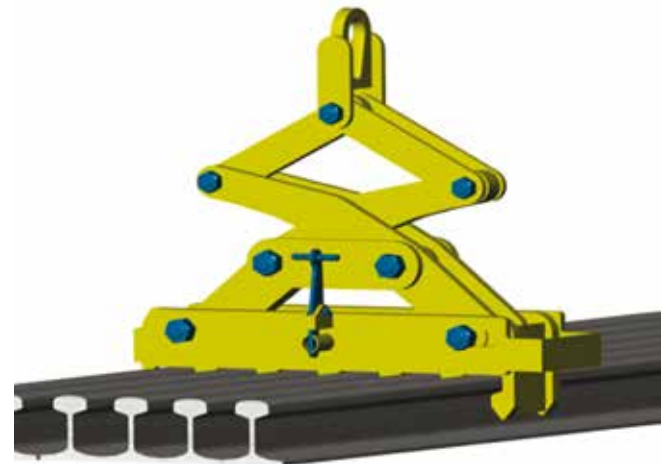
Model	Art.-No.	Capacity kg	Number of rails	Weight kg
MR 3	–	5000	3	84
MR 4	–	5000	4	108
MR 5	–	5000	5	132
MR 6	–	6000	6	156
MR 7	–	7000	7	180
MR 8	–	8000	8	204
MR 10	–	10000	10	252
MR 12	–	12000	12	300

MRC Multi-rail grab

Capacity 5000 - 7000 kg

The multiple rail grab with interchangeable adapter for different rail types is used wherever rails are loaded by crane and lifting gear, e.g. in ports, steelworks, on the road and in storage yards.

They are used in pairs.



Technical data MRC

Model	Art.-No.	Capacity kg	Number of rails	Weight kg
MRC 4	–	5000	3	84
MRC 5	–	5000	4	108
MRC 6	–	5000	5	132
MRC 7	–	6000	6	156
MRC 8	–	7000	7	180



The picture shows the standard version with tines 3/4 length of the coil

TCK C-hooks

Capacity 500 - 10000 kg

Coils, rolls, rings and similar items are transported safely with the Tigrip C-hooks.

Tine length and usable height with the most frequently encountered coil sizes are listed in the table below.

Other working loads, measurements, and models, such as C-hooks with automatic balancing device, are available on request.

Technical data TCK

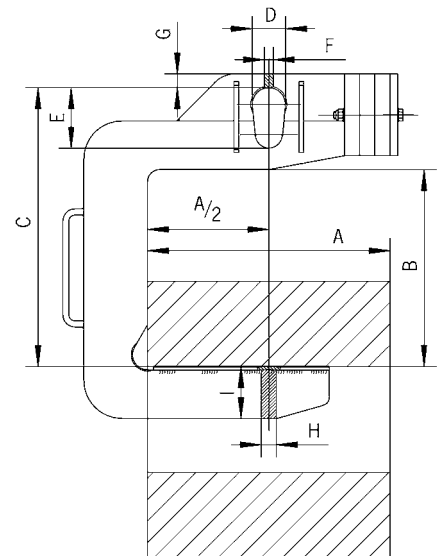
Model	Art.-No.	Capacity kg	Weight kg
TCK 0,5/300	N53507801	500	21
TCK 0,5/500	N53507802	500	30
TCK 0,5/800	N53507803	500	46
TCK 1,0/300	N53507804	1000	28
TCK 1,0/500	N53507805	1000	40
TCK 1,0/800	N53507806	1000	95
TCK 2,0/300	N53507807	2000	45
TCK 2,0/500	N53507808	2000	90
TCK 2,0/800	N53507809	2000	140
TCK 2,0/1000	N53507810	2000	180
TCK 3,0/300	N53507811	3000	68
TCK 3,0/500	N53507812	3000	127
TCK 3,0/800	N53507813	3000	165
TCK 3,0/1000	N53507814	3000	215
TCK 5,0/500	N53507815	5000	184
TCK 5,0/800	N53507816	5000	238
TCK 5,0/1000	N53507817	5000	286
TCK 5,0/1250	N53507818	5000	364
TCK 7,5/800	N53507819	7500	390
TCK 7,5/1000	N53507820	7500	520
TCK 7,5/1250	N53507821	7500	650
TCK 7,5/1500	N53507822	7500	767
TCK 10,0/1000	N53507823	10000	772
TCK 10,0/1250	N53507824	10000	810
TCK 10,0/1500	N53507825	10000	980

Dimensions TCK

Model	TCK 0,5/300	TCK 0,5/500	TCK 0,5/800	TCK 1,0/300	TCK 1,0/500	TCK 1,0/800	TCK 2,0/300	TCK 2,0/500	TCK 2,0/800	TCK 2,0/1000
Coil width A, mm	300	500	800	300	500	800	300	500	800	1000
Usable height B, mm	400	400	400	450	450	450	500	500	500	500
C, mm	570	580	580	620	630	630	700	700	720	720
D, mm	60	60	60	60	60	60	75	75	75	75
E, mm	120	120	120	120	120	120	150	150	150	150
F, mm	20	20	25	25	20	30	25	30	30	20
G, mm	25	23	23	23	23	23	38	38	38	35
H, mm	20	20	25	20	25	30	25	30	30	40
I, mm	50	65	70	70	80	90	90	110	125	125

Model	TCK 3,0/300	TCK 3,0/500	TCK 3,0/800	TCK 3,0/1000	TCK 5,0/500	TCK 5,0/800	TCK 5,0/1000	TCK 5,0/1250	TCK 7,5/800	TCK 7,5/1000
Coil width A, mm	300	500	800	1000	500	800	1000	1250	800	1000
Usable height B, mm	500	500	500	500	550	550	550	550	600	600
C, mm	700	700	720	720	800	800	820	820	900	900
D, mm	75	75	75	75	100	100	100	100	110	110
E, mm	150	150	150	150	200	200	200	200	220	220
F, mm	30	20	25	20	25	30	30	30	35	35
G, mm	38	40	40	40	45	45	45	45	50	50
H, mm	30	30	40	40	40	50	50	50	50	60
I, mm	105	125	140	155	145	160	180	200	200	200

Model	TCK 7,5/1250	TCK 7,5/1500	TCK 10,0/1000	TCK 10,0/1250	TCK 10,0/1500
Coil width A, mm	1250	1500	1000	1250	1500
Usable height B, mm	600	600	650	650	650
C, mm	900	920	980	1000	1000
D, mm	110	110	130	130	130
E, mm	220	220	250	250	250
F, mm	35	35	40	45	45
G, mm	45	50	50	55	55
H, mm	60	70	70	70	80
I, mm	220	220	220	240	240



TCK specials

with 4/4 length of tines and safety nose on request



TCS Coil hook

Capacity 500 - 3000 kg

The TCS coil hook is an universal C-Hook. Due to its tipping feature, it can lift or lower the coil, whether the coil is lying flat or is in an upright position. With this tipping device, the coil is tipped safely through 90°.

The slow and safe movement of the tipping device ensures a continuous flowing movement when lifting or lowering the coil. At the same time, the tipping device serves the purpose of preventing accidental slipping of the load during transport.

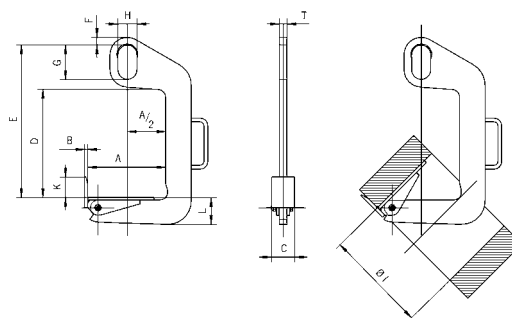
INFO

Other sizes and models available on request.



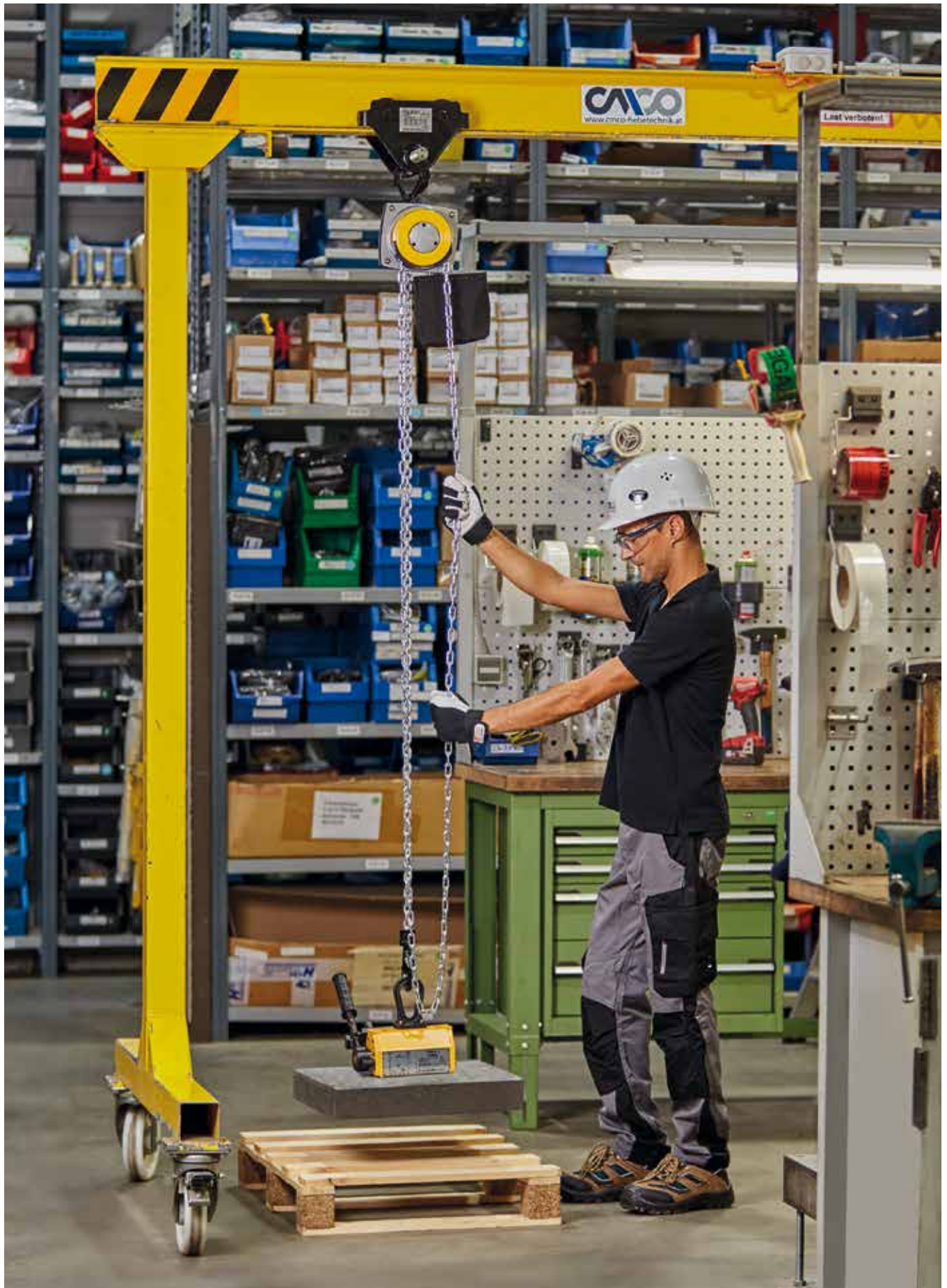
Technical data TCS

Model	Art.-No.	Capacity kg	Weight kg
TCS 0,5/120	N53507850	500	6.9
TCS 0,5/200	N53507851	500	9.6
TCS 1,0/200	N53507852	1000	15.4
TCS 1,0/300	N53507853	1000	20.0
TCS 2,0/200	N53507854	2000	24.8
TCS 2,0/300	N53507855	2000	33.4
TCS 3,0/200	N53507856	3000	45.0
TCS 3,0/300	N53507857	3000	51.0



Dimensions TCS

Model	TCS 0,5/120	TCS 0,5/200	TCS 1,0/200	TCS 1,0/300	TCS 2,0/200	TCS 2,0/300	TCS 3,0/200	TCS 3,0/300
Coil width A min, mm	50	100	100	200	100	200	100	200
Coil width A max., mm	120	200	200	300	200	300	200	300
B, mm	10	10	10	10	12	12	15	15
C, mm	60	60	80	80	90	90	100	100
D, mm	330	330	460	460	420	420	610	610
E, mm	470	470	600	600	600	600	820	820
F, mm	20	20	20	20	30	30	40	40
G, mm	110	110	110	110	135	135	160	160
H, mm	60	60	60	60	75	75	90	90
K, mm	50	50	60	60	80	80	100	100
L, mm	45	50	65	70	85	95	100	110
T, mm	20	20	25	25	30	30	35	35
Ø I, mm	220	300	300	400	300	400	300	400





TFA D Barrel grab with tipping device

Capacity 300 kg

The grab with tipping device is suited to lift, transport as well as tipping and emptying the barrel.

In order to tip the barrel easily, it must be picked up at the correct center of gravity.



INFO

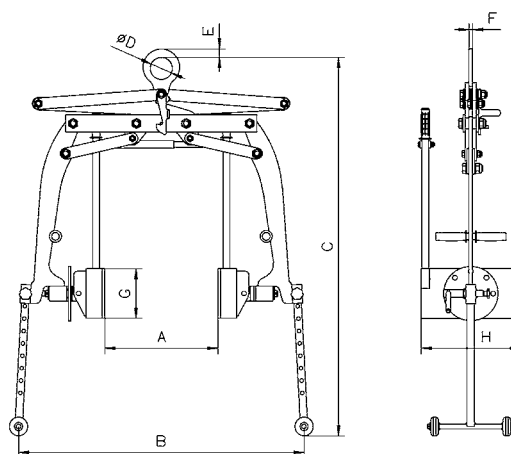
For barrels according to EN ISO 15750-2.

Technical data TFA D

Model	Art.-No.	Capacity kg	Jaw capacity Z diameter mm	Weight kg
TFA 0,3/600 D	N52203404	300	400 - 600	83

Dimensions TFA D

Model	TFA 0,3/600 D
A, mm	600
B, mm	1150
C, mm	1525
Ø D, mm	90
E, mm	34
F, mm	15
G, mm	200
H, mm	400



**TFA 0,35/700 R and
TFA 0,35/700 TR
Barrel grab**

Capacity 350 kg

These barrel grabs are designed for transport of steel barrels. The clamping jaws press securely with a positive fit underneath the rim of the barrel.



TFA-R



TFA-TR

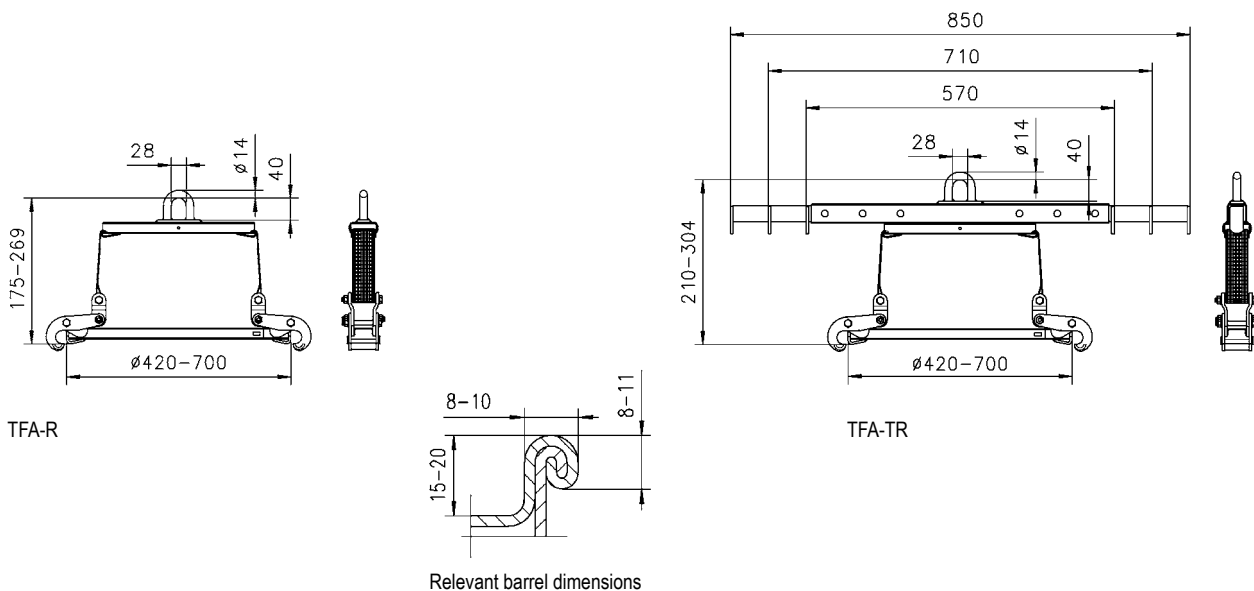
INFO

TFA 0,35/700 TR is a combination unit for the transport of barrels that can be used with either an overhead crane or forklift.

For barrels according to EN ISO 15750-2.

Technical data TFA R/TR

Model	Art.-No.	Capacity	Jaw capacity Z	Weight
		kg	diameter mm	
TFA 0,35/700 R	N52303561	350	420 - 700	5.7
TFA 0,35/700 TR	N52303562	350	420 - 700	9.2





TFRK Barrel rim clamp

Capacity 500 kg

The TFRK barrel rim clamp can be used individually, as a pair, or as a multi-legged chain sling.

The clamp grabs under the rim of the barrel. A spring-loaded cam prevents the accidental opening of the clamp.

INFO

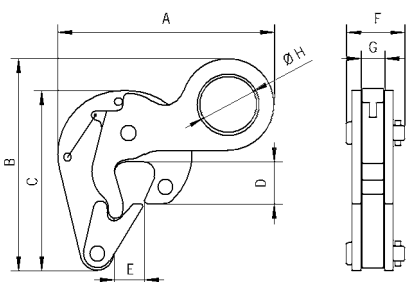
For barrels according to EN ISO 15750-2.

Technical data TFRK

Model	Art.-No.	Capacity kg	Weight kg
TFRK	N52203456	500	1.5

Dimensions TFRK

Model	TFRK 0,5
A, mm	152
B, mm	150
C, mm	127
D, mm	30
E, mm	21
F, mm	41
G, mm	17
Ø H, mm	40



**TFK
Barrel clamp**

Capacity 500 kg

Its light weight and small overall design makes it ideal for lifting barrels where access or space is limited.

The center of gravity of the barrel is the lifting point during transport.



INFO

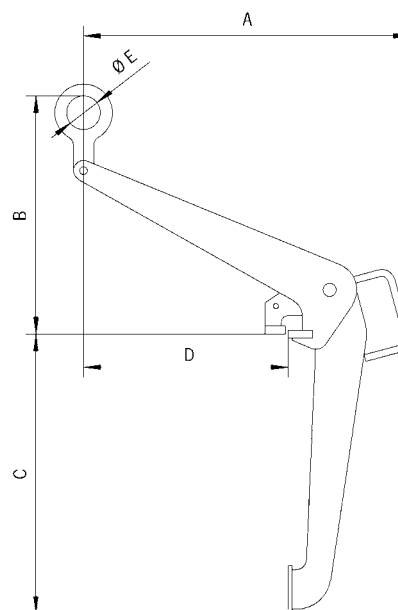
For barrels according to EN ISO 15750-2.

Technical data TFK

Model	Art.-No.	Capacity kg	Weight kg
TFK 0,5	N52203455	500	7.3

Dimensions TFK

Model	TFK 0,5
A, mm	479
B, mm	350
C, mm	410
D, mm	300
Ø E, mm	50





TKA/d Crate grab with tipping device

Capacity 150 kg

The crate grab with tipping device is an absolutely safe unit, which not only securely transports stacking boxes, but can empty them in mid-air as well.

The crate grab is very robust but still very easy to operate and complies with the relevant standards and EC directives.

A safety lever system prevents the accidental opening of the grab.

The clamping jaws tightly grab under the rim of the crate without damaging the crate. To engage the tipping motion in order to empty the crate, the safety lock must be manually unlocked. The tipping motion is limited to 120°. This prevents the crate from flipping completely over while emptying, thereby reducing the risk of injury.

Optional

- Grabs for other sizes of crates.

INFO

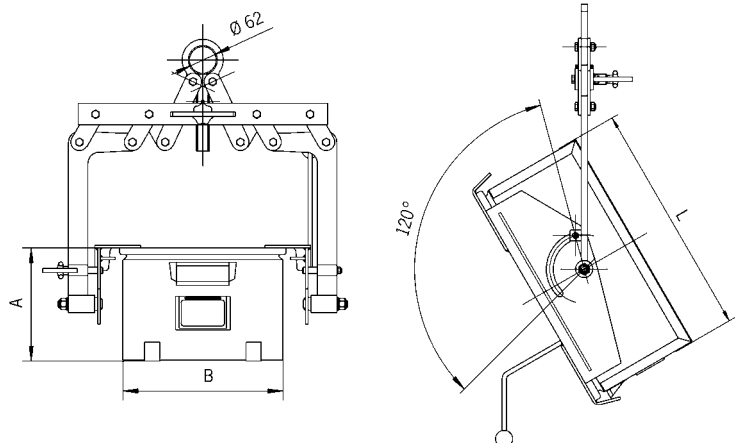
Please provide the crate dimensions or a sample crate when ordering.

Technical data TKA/d

Model	Art.-No.	Capacity kg	Weight kg
TKA 0,15/330d	N52123220	150	25.8
TKA 0,15/480d	N52123225	150	26.0

Dimensions TKA/d

Model	TKA 0,15/330d	TKA 0,15/480d
A, mm	200 - 300	300
B, mm	315 - 330	470 - 480
L, mm	465 - 540	550 - 660



TKA a/i Crate grab

Capacity 250 kg

The easy-handling crate grab, which grabs on the side plates or the front sides of the crate, transports crates safely and without damaging them.

The moveable jaws press the edge of the crate gently against the outside grab support rails. Stacking boxes made of steel or plastic will not get deformed. After the box has been set down, the safety device holds the grab open.

When lifting the crate and grabbing the support rails, the safety device must be manually pulled back until it lies over the safety bolt. With further lifting, the jaws grab under the outer top edge of the crate and lift it up safely.

The crate grab is available as an external or internal operating grab.



TKA.../...a external operating



TKA.../...i internal operating



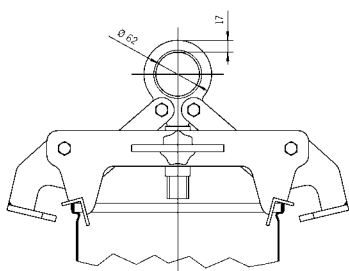
TKA.../...i internal operating

INFO

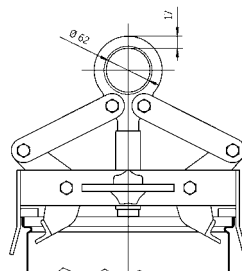
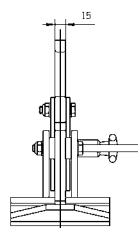
Please provide the crate dimensions or a sample crate when ordering.

Technical data TKA a/i

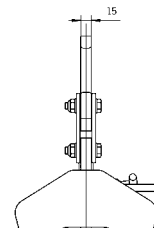
Model	Art.-No.	Capacity kg	Weight kg	Jaw capacity mm
TKA 0,25/320a	N52103210	250	9.3	320
TKA 0,25/480a	N52103207	250	9.3	480
TKA 0,25/600a	N52103208	250	9.3	600
TKA 0,25/320i	N52103204	250	8.5	320
TKA 0,25/480i	N52103206	250	8.5	480
TKA 0,25/600i	N52103209	250	8.5	600



TKA.../...a external operating



TKA.../...i internal operating





BTG Concrete pipe lifting gear

Capacity 1500 - 3000 kg

Lifting gear for the vertical transport of concrete pipe and culverts must be very versatile. Most important, it must be absolutely safe and easy to handle under even the harshest conditions.

The Tigrip concrete pipe lifting gear meets all these requirements. It is a three legged lifting system for the safe and non-marring transport of concrete pipes up to a diameter of Ø 2000 mm and a load of up to 3 t.

The jaw capacity is designed for concrete pipe thicknesses from 40 - 220 mm.

Attachment and removal of the clamps can be done easily due to the handles that have been incorporated into each clamp.

Features

- Solid design
- Safety factor 4:1
- Simple and safe handling
- Large jaw capacity
- For the toughest operating conditions
- Lightweight design
- Service-friendly

INFO

For concrete pipes according to DIN 4034.

Lifting gear for concrete pipe up to a diameter of Ø 3000 mm available on request!



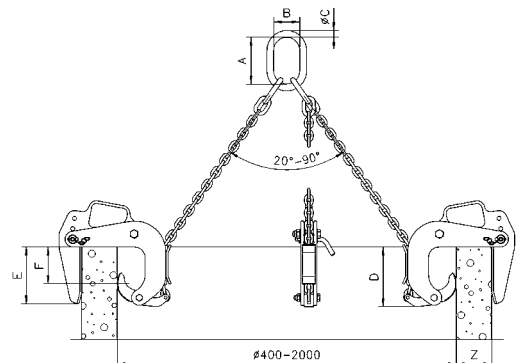
Technical data BTG

Model	Art.-No.	Capacity ¹ kg	Jaw capacity Z mm	Mouth depth E mm	Pressure line F mm	Chain Ø mm	Weight kg
BTG 1,5/120	N54609200	1500	40 - 120	165	100	6	35
BTG 3,0/180 TM-N	N54609204	3000	50 - 180	245	175	10	90
BTG 3,0/220 TM-N	N54609206	3000	90 - 220	245	175	10	94

¹Per lifting gear - three legged

Dimensions BTG

Model	BTG 1,5/120	BTG 3,0/180 TM-N	BTG 3,0/220 TM-N
A, mm	135	180	180
B, mm	75	100	100
Ø C, mm	18	26	26
D, mm	180	310	310



TCP Trench shield grab

Capacity 1500 - 5500 kg

The TCP grab is suitable for vertical positioning and transportation of trench shields.

Once the grab is set onto the trench shield, a spring-loaded bolt locks itself into the hole of the shield. Releasing the bolt is done with the 15 m pull cord attached to the grab.

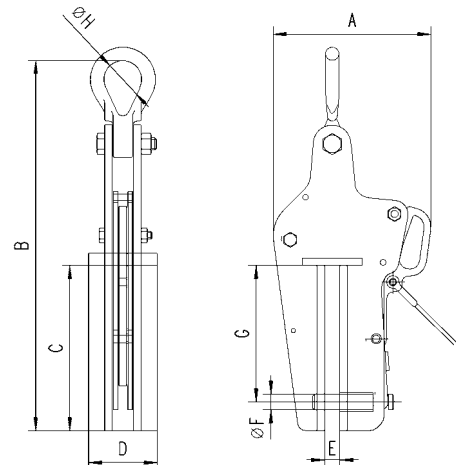


Technical data TCP

Model	Art.-No.	Capacity kg	Weight kg
TCP 1,5	N56000001	1500	12.2
TCP 3,0	N56000002	3000	19.5
TCP 5,5	N56000003	5500	26.7

Dimensions TCP

Model	TCP 1,5	TCP 3,0	TCP 5,5
A, mm	207	226	269
B, mm	488	517	575
C, mm	218	218	218
D, mm	90	100	120
E, mm	18	24	24
Ø F, mm	20	24	30
G, mm	180	180	180
Ø H, mm	50	63	89





TPP Trench shield clamp

Capacity 3000 - 8000 kg

The TPP trench shield clamp is similar to a regular plate clamp in its construction but has a much deeper jaw.

The compact construction combined with a high capacity makes it ideal for pulling trench shields out of the ground.

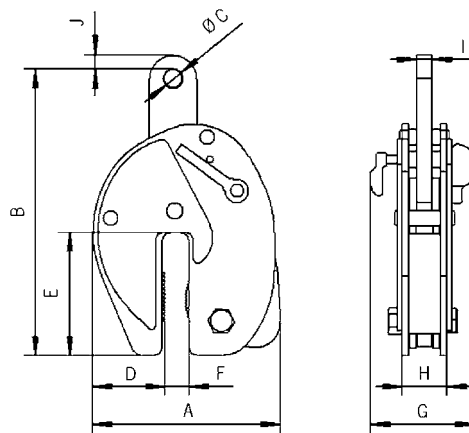
A safety lock prevents the accidental opening of the clamp.

Technical data TPP

Model	Art.-No.	Capacity kg	Jaw capacity mm	Weight kg
TPP 3	N51502418	3000	0 - 16	16.0
TPP 8	N51502416	8000	0 - 30	27.8

Dimensions TPP

Model	TPP 3	TPP 8
A, mm	224	294
B, mm	325	445
Ø C, mm	20	30
D, mm	88	109
E, mm	147	194
F, mm	25	42
G, mm	123	146
H, mm	60	72
I, mm	20	25
J, mm	18	26



TRO
Pipe hook

Capacity 2000 - 10000 kg

The pipe hooks are used in pairs for the safe transport of pipes.

Scope of delivery

The shackles are included with the hooks.

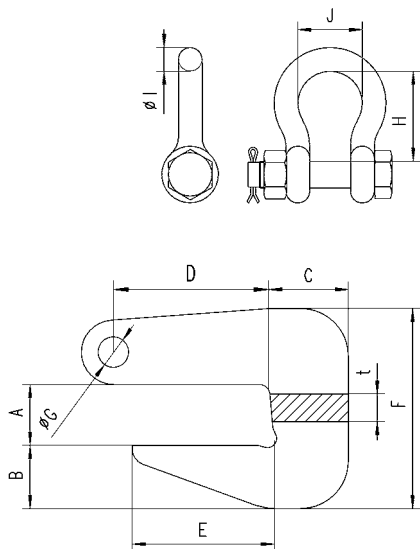
Technical data TRO for 60° - 90° chain-top angle

Model	Art.-No.	Capacity ¹ kg	Weight ¹ kg
TRO 2/90	N53508004	2000	3.1
TRO 4/90	N53508005	4000	5.6
TRO 6/90	N53508006	6000	10.5
TRO 8/90	N53508007	8000	17.8
TRO 10/90	N53508008	10000	22.0

¹Per pair

Dimensions TRO for 60° - 90° chain-top angle

Model	TRO 2/90	TRO 4/90	TRO 6/90	TRO 8/90	TRO 10/90
t, mm	20	30	30	40	40
A, mm	0 - 40	0 - 50	0 - 60	0 - 70	0 - 80
B, mm	35	40	51	55	69
C, mm	40	48	62	67	80
D, mm	62	77	90	105	115
E, mm	62	77	90	105	115
F, mm	116	142	173	190	221
Ø G, mm	16.3	24.3	24.3	30.3	30.3
H, mm	47.6	72.2	72.2	95.3	95.3
Ø I, mm	12.7	19	19	25.4	25.4
J, mm	30.2	44.5	44.5	58.7	58.7



Spreader beam range

Bulkier or heavier loads must be carried on multiple points to ensure safe weight distribution and less sagging. The extensive TIGRIP® range provides a vast choice of load capacities, working widths, adjustment ranges and hook types to cater for the great majority of applications. In addition to our quality-engineered, robust and cost-effective standard range, we can also provide special designs to meet individual, bespoke customer requirements.

Options include side welding hooks (so-called cow horns), that take rope loops or lifting bands' crane eye for carrying pipes. Rolls or rollers on two or more points; star crossbars for carrying cylindrical items, or transverse crossbars for four point suspension, a further version of the reliable, easy to use and safe TIGRIP® crane hook spreader beams.

Spreader beams can be used for a diverse range of shapes and designs, and can be individually designed to meet specific applications. The following illustrations provide a short overview of the many designs available. Suspension and load carrying variants can be easily combined with most designs.



Suspension variants

Eyelet suspension

Standard suspension for use with single hooks according to DIN 15401

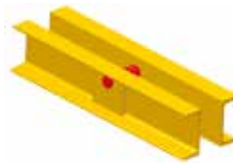
Possible for defined load centre of gravity for symmetrical but also asymmetrical loads.



Chain suspension

To stabilise swinging movements

Multitude of options in combination with our chain programme. Lifting ring for single hooks but also double hooks Shortening hooks allow the centre of gravity to be adjusted for asymmetrical loads.



Internal bolt suspension

To reduce the build height

Fixed welded-on but also plug-in variants possible.



Double eyelet suspension for two crane operation

Allows the spreader beam to be used on two cranes at the same time.

Each suspension variant can be operated as a double suspension.



Bracket suspension

For use with double hooks according to DIN 15402

Load carrying variants

Eyehooks

with forged safety latch

For use with any sling or sling points.



Swivel hooks

Allows alignment of the hook to the sling point.

Variants possible with plain-bearing mounted swivel (cannot be rotated under load) and also ball-bearing mounted swivel (can be rotated under load)



Front welded-on hook (cow horn with safety latch)

To reduce the height on single spreader beam



Welded-on hooks (cow horns with safety latch)

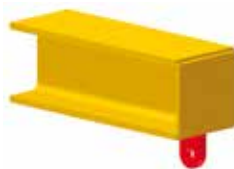
For use with two single-stranded or singly wrapped sling
Also possible with adjusting bracket.



Mounting eyelets

for fixed slings

With the mounting eyelets, the spreader beam can be combined with any slings from our programme.



Centre hooks

For crane use if the crossbar is not required.

With the centre hook there is no need to place and remove the spreader beam.

Variants possible as eyehooks or swivel hooks.





TTS-E Spreader beam, non-adjustable

Capacity 1000 - 10000 kg

For the transport of symmetrical loads

Features

- Lifting brackets for single hook according to DIN 15401
- Eyehooks with forged safety latch

Optional

- Other capacities
- Working widths according customer requirements
- Accentral suspension for asymmetrical loads

Technical data TTS-E

Model	Art.-No.	Capacity kg	Working width Z mm	Hook mouth mm	Weight kg
TTS 1,0/1000 E	N53106201	1000	1000	23	23
TTS 2,0/1000 E	N53106202	2000	1000	23	25
TTS 3,0/1000 E	N53106203	3000	1000	30	28
TTS 5,0/1000 E	N53106204	5000	1000	38	41
TTS 7,5/1000 E	N53106205	7500	1000	42	50
TTS 10,0/1000 E	N53106206	10000	1000	42	61
TTS 1,0/1500 E	N53106211	1000	1500	23	31
TTS 2,0/1500 E	N53106212	2000	1500	23	33
TTS 3,0/1500 E	N53106213	3000	1500	30	41
TTS 5,0/1500 E	N53106214	5000	1500	38	64
TTS 7,5/1500 E	N53106215	7500	1500	42	74
TTS 10,0/1500 E	N53106216	10000	1500	42	90
TTS 1,0/2500 E	N53106221	1000	2500	23	46
TTS 2,0/2500 E	N53106222	2000	2500	23	69
TTS 3,0/2500 E	N53106223	3000	2500	30	88
TTS 5,0/2500 E	N53106224	5000	2500	38	106
TTS 7,5/2500 E	N53106225	7500	2500	42	148
TTS 10,0/2500 E	N53106226	10000	2500	42	181
TTS 1,0/3500 E	N53106231	1000	3500	23	77
TTS 2,0/3500 E	N53106232	2000	3500	23	118
TTS 3,0/3500 E	N53106233	3000	3500	30	138
TTS 5,0/3500 E	N53106234	5000	3500	38	167
TTS 7,5/3500 E	N53106235	7500	3500	42	235
TTS 10,0/3500 E	N53106236	10000	3500	42	272
TTS 1,0/5000 E	N53106241	1000	5000	23	163
TTS 2,0/5000 E	N53106242	2000	5000	23	189
TTS 3,0/5000 E	N53106243	3000	5000	30	223
TTS 5,0/5000 E	N53106244	5000	5000	38	295
TTS 7,5/5000 E	N53106245	7500	5000	42	372
TTS 10,0/5000 E	N53106246	10000	5000	42	478

Dimensions TTS-E

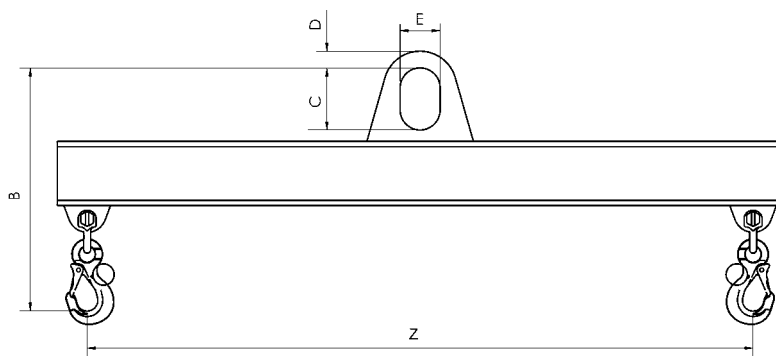
Model	TTS 1,0/1000 E	TTS 2,0/1000 E	TTS 3,0/1000 E	TTS 5,0/1000 E	TTS 7,5/1000 E	TTS 10,0/1000 E
B, mm	405	430	500	615	720	800
C, mm	110	135	160	180	200	260
D, mm	25	30	35	40	60	70
E, mm	60	75	90	100	130	130

Model	TTS 1,0/1500 E	TTS 2,0/1500 E	TTS 3,0/1500 E	TTS 5,0/1500 E	TTS 7,5/1500 E	TTS 10,0/1500 E
B, mm	405	430	520	635	740	820
C, mm	110	135	160	180	200	260
D, mm	25	30	35	40	60	70
E, mm	60	75	90	100	130	130

Model	TTS 1,0/2500 E	TTS 2,0/2500 E	TTS 3,0/2500 E	TTS 5,0/2500 E	TTS 7,5/2500 E	TTS 10,0/2500 E
B, mm	405	470	560	655	780	860
C, mm	110	135	160	180	200	260
D, mm	25	30	35	40	60	70
E, mm	60	75	90	100	130	130

Model	TTS 1,0/3500 E	TTS 2,0/3500 E	TTS 3,0/3500 E	TTS 5,0/3500 E	TTS 7,5/3500 E	TTS 10,0/3500 E
B, mm	435	490	580	695	800	880
C, mm	110	135	160	180	200	260
D, mm	25	30	35	40	60	70
E, mm	60	75	90	100	130	130

Model	TTS 1,0/5000 E	TTS 2,0/5000 E	TTS 3,0/5000 E	TTS 5,0/5000 E	TTS 7,5/5000 E	TTS 10,0/5000 E
B, mm	475	510	600	715	820	920
C, mm	110	135	160	180	200	260
D, mm	25	30	35	40	60	70
E, mm	60	75	90	100	130	130



INFO

The spreader beams can be combined with the different suspension types, see pages 216 - 217.



TTS Spreader beam, adjustable

Capacity 1000 - 25000 kg

For the transport of symmetrical and asymmetrical loads.

Features

- Lifting brackets for single hook according to DIN 15401
- Adjustment with grids
- Adjustable bracket with handle and swivel hook (cannot be rotated under load).

Technical data TTS

Model	Art.-No.	Capacity kg	Working width Z mm	Hook mouth mm	Weight kg
TTS 1,0/1500	N53106001	1000	700 - 1500	18	40
TTS 2,0/1500	N53106002	2000	700 - 1500	18	41
TTS 3,0/1500	N53106003	3000	700 - 1500	21	53
TTS 5,0/1500	N53106004	5000	700 - 1500	23	79
TTS 7,5/1500	N53106005	7500	700 - 1500	32	98
TTS 10,0/1500	N53106006	10000	700 - 1500	32	117
TTS 12,5/1500	N53106007	12500	700 - 1500	40	116
TTS 15,0/1500	N53106008	15000	700 - 1500	40	137
TTS 20,0/1500	N53106009	20000	700 - 1500	50	180
TTS 25,0/1500	N53106010	25000	700 - 1500	50	226
TTS 1,0/2500	N53106011	1000	1500 - 2500	18	58
TTS 2,0/2500	N53106012	2000	1500 - 2500	18	84
TTS 3,0/2500	N53106013	3000	1500 - 2500	21	105
TTS 5,0/2500	N53106014	5000	1500 - 2500	23	127
TTS 7,5/2500	N53106015	7500	1500 - 2500	32	178
TTS 10,0/2500	N53106016	10000	1500 - 2500	32	215
TTS 12,5/2500	N53106017	12500	1500 - 2500	40	198
TTS 15,0/2500	N53106018	15000	1500 - 2500	40	237
TTS 20,0/2500	N53106019	20000	1500 - 2500	50	287
TTS 25,0/2500	N53106020	25000	1500 - 2500	50	342
TTS 1,0/3500	N53106021	1000	1700 - 3500	18	95
TTS 2,0/3500	N53106022	2000	1700 - 3500	18	137
TTS 3,0/3500	N53106023	3000	1700 - 3500	21	162
TTS 5,0/3500	N53106024	5000	1700 - 3500	23	228
TTS 7,5/3500	N53106025	7500	1700 - 3500	32	278
TTS 10,0/3500	N53106026	10000	1700 - 3500	32	317
TTS 12,5/3500	N53106027	12500	1700 - 3500	40	295
TTS 15,0/3500	N53106028	15000	1700 - 3500	40	340
TTS 20,0/3500	N53106029	20000	1700 - 3500	50	451
TTS 25,0/3500	N53106030	25000	1700 - 3500	50	512
TTS 1,0/5000	N53106031	1000	2000 - 5000	18	190
TTS 2,0/5000	N53106032	2000	2000 - 5000	18	219
TTS 3,0/5000	N53106033	3000	2000 - 5000	21	260
TTS 5,0/5000	N53106034	5000	2000 - 5000	23	372
TTS 7,5/5000	N53106035	7500	2000 - 5000	32	423
TTS 10,0/5000	N53106036	10000	2000 - 5000	32	531
TTS 12,5/5000	N53106037	12500	2000 - 5000	40	449
TTS 15,0/5000	N53106038	15000	2000 - 5000	40	568
TTS 20,0/5000	N53106039	20000	2000 - 5000	50	691
TTS 1,0/8000	N53106040	1000	3000 - 8000	18	342
TTS 2,0/8000	N53106041	2000	3000 - 8000	18	458
TTS 3,0/8000	N53106042	3000	3000 - 8000	21	547
TTS 5,0/8000	N53106043	5000	3000 - 8000	23	788
TTS 7,5/8000	N53106044	7500	3000 - 8000	32	883
TTS 10,0/8000	N53106045	10000	3000 - 8000	32	1319
TTS 12,5/8000	N53106046	12500	3000 - 8000	40	979
TTS 15,0/8000	N53106047	15000	3000 - 8000	40	1046

Dimensions TTS

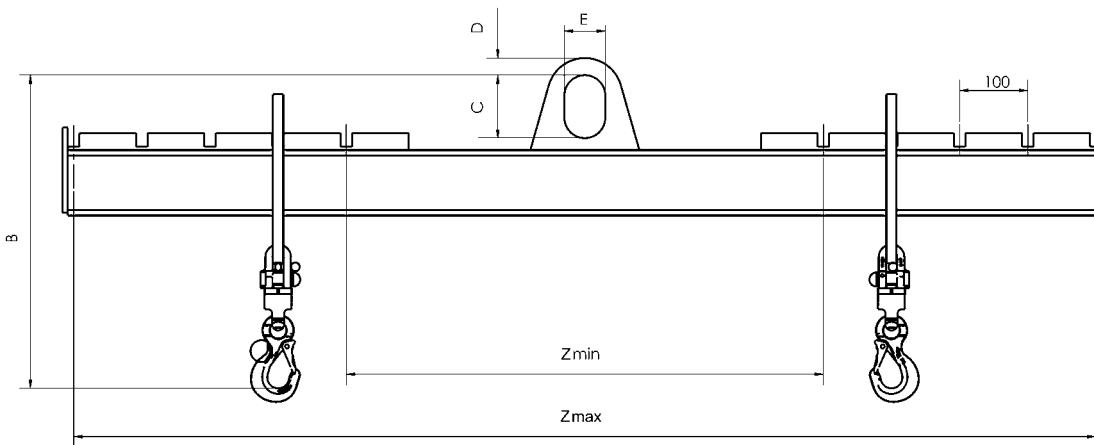
Model	TTS 1,0/1500	TTS 2,0/1500	TTS 3,0/1500	TTS 5,0/1500	TTS 7,5/1500	TTS 10,0/1500	TTS 12,5/1500	TTS 15,0/1500	TTS 20,0/1500	TTS 25,0/1500
B, mm	440	470	570	655	740	835	865	910	1020	1230
C, mm	110	135	160	180	200	260	260	260	260	300
D, mm	25	30	35	40	60	70	75	85	90	100
E, mm	60	75	90	100	130	130	140	140	160	160

Model	TTS 1,0/2500	TTS 2,0/2500	TTS 3,0/2500	TTS 5,0/2500	TTS 7,5/2500	TTS 10,0/2500	TTS 12,5/2500	TTS 15,0/2500	TTS 20,0/2500	TTS 25,0/2500
B, mm	440	505	610	675	785	880	915	955	1060	1255
C, mm	110	135	160	180	200	260	260	260	260	300
D, mm	25	30	35	40	60	70	75	85	90	100
E, mm	60	75	90	100	130	130	140	140	160	160

Model	TTS 1,0/3500	TTS 2,0/3500	TTS 3,0/3500	TTS 5,0/3500	TTS 7,5/3500	TTS 10,0/3500	TTS 12,5/3500	TTS 15,0/3500	TTS 20,0/3500	TTS 25,0/3500
B, mm	440	530	635	715	810	905	935	980	1115	1300
C, mm	110	135	160	180	200	260	260	260	260	300
D, mm	25	30	35	40	60	70	75	85	90	100
E, mm	60	75	90	100	130	130	140	140	160	160

Model	TTS 1,0/5000	TTS 2,0/5000	TTS 3,0/5000	TTS 5,0/5000	TTS 7,5/5000	TTS 10,0/5000	TTS 12,5/5000	TTS 15,0/5000	TTS 20,0/5000
B, mm	495	550	655	740	830	950	980	1025	1155
C, mm	110	135	160	180	200	260	260	260	260
D, mm	25	30	35	40	60	70	75	85	90
E, mm	60	75	90	100	130	130	140	140	160

Model	TTS 1,0/8000	TTS 2,0/8000	TTS 3,0/8000	TTS 5,0/8000	TTS 7,5/8000	TTS 10,0/8000	TTS 12,5/8000	TTS 15,0/8000
B, mm	515	590	700	785	895	1010	1045	1085
C, mm	110	135	160	180	200	260	260	260
D, mm	25	30	35	40	60	70	75	85
E, mm	60	75	90	100	130	130	140	140



INFO

The spreader beams can be combined with the different suspension types. see pages 216-217.



INFO

Capacity, working length and width designed on individual customer requirements.

The spreader beams can be combined with the different suspension types, see pages 216 - 217.



INFO

Capacity, working length and width designed on individual customer requirements.

The spreader beams can be combined with the different suspension types, see pages 216 - 217.

TTS-HE H-frame spreader beam

Capacity up to 10000 kg

For the transport of symmetrical loads.

Features

- Lifting brackets for single hook according to DIN 15401
- Eyehooks with forged safety latch

Optional

- Accentral suspension for asymmetrical loads

Technical questionnaire

Capacity _____ kg

Working length _____ mm

Working width _____ mm

TTS-H H-frame spreader beam

Capacity up to 25000 kg

For the transport of symmetrical and asymmetrical loads.

Features

- Lifting brackets for single hook according to DIN 15401
- Adjustment with grids
- Adjustable bracket with handle and swivel hook (cannot be rotated under load)

Technical questionnaire

Capacity _____ kg

Working length, min. _____ mm

Working length, max. _____ mm

Working width, min. _____ mm

Working width, max. _____ mm

TTS Spreader beam for box pallets

Capacity 1000 - 3000 kg

Box pallets with DIN 15155 specifications, are usually moved around with a forklift, but are so sturdy that they can be picked up and transported with a spreader beam grab and an overhead crane hooked up to the top of the box pallet's frame.

Thanks to these spreader beams, the shipping and receiving area is no longer entirely dependent on floor-level material handling equipment such as forklifts.

The version designed for the individual transport of box pallets is equipped with two fixed yokes and two pivoted ones, interconnected with a control bar. The load tackling gear is fixed and unfixable by only one person.

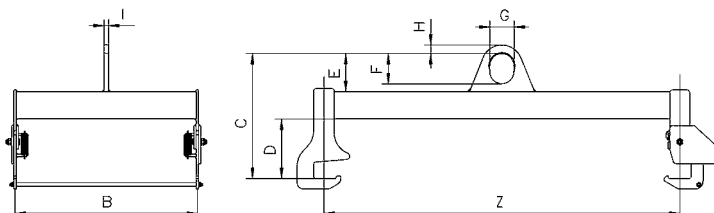


Technical data TTS

Model	Art.-No.	Capacity kg	Weight kg
TTS 1,0/1240 - 810	N53207001	1000	38
TTS 2,0/1240 - 810	N53207002	2000	61
TTS 3,0/1240 - 810	N53207003	3000	80

Dimensions TTS

Model	TTS 1,0/1240 - 810	TTS 2,0/1240 - 810	TTS 3,0/1240 - 810
B, mm	600	600	600
C, mm	410	495	520
D, mm	195	215	215
E, mm	125	180	205
F, mm	100	150	170
G, mm	80	100	130
H, mm	28	30	40
I, mm	15	20	25
Z, mm	1175	1175	1175





TTB Spreader beam for Big-Bags

Capacity 1000 - 2000 kg

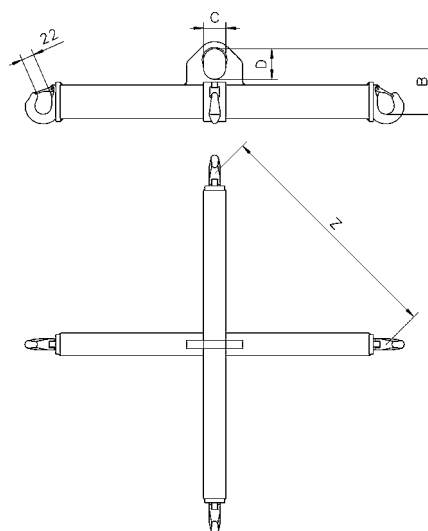
This four-point spreader beam in a fixed frame construction with weld-on hooks and safety latch is designed for lifting and transporting of Big-Bags.

Technical data TTB

Model	Art.-No.	Capacity kg	Working width Z mm	Weight kg
TTB 1,0/1090 - 1090	N53156300	1000	750 - 800	27
TTB 1,0/1320 - 1320	N53156301	1000	900 - 970	33
TTB 2,0/1090 - 1090	N53156302	2000	750 - 800	42
TTB 2,0/1320 - 1320	N53156303	2000	900 - 970	44

Dimensions TTB

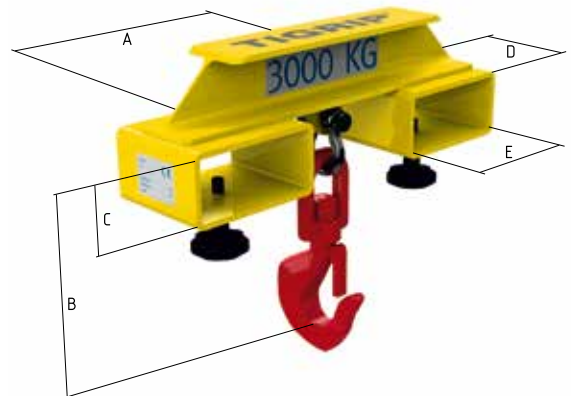
Model	TTB 1,0/1090 - 1090	TTB 1,0/1320 - 1320	TTB 2,0/1090 - 1090	TTB 2,0/1320 - 1320
B, mm	210	210	240	240
C, mm	60	60	75	75
D, mm	110	110	135	135



TTS-Z Fork lift cross beam

Capacity 2000 - 3150 kg

The model TTS-Z with two bags is used for forklift tines and has one centered, pivoting eye hook (do not pivot under load). The fork lift cross beam is fastened with two spindles and ensures safety while lifting.



Technical data TTS-Z

Model	Art.-No.	Capacity kg	Overall height B mm	Dim C mm	Dim D mm	Dim E mm	Weight kg
TTS 2,0/Z	N4300000170	2000	246	70	160	150	14.0
TTS 3,15/Z	N4300015315	3150	274	84	160	184	19.0

TZH Tine hook

Capacity 1500 - 5000 kg

For fastening hoisting equipment and loads to single forklift tines. The TZH are pushed onto the forklift tines and are fastened with two spindles. The pivoting as well as swivelling hook with safety latch ensures safety while lifting.



Technical data TZH

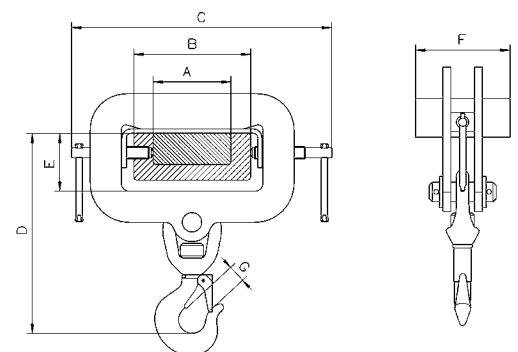
Model	Art.-No.	Capacity kg	Weight kg
TZH 1,5/150	N55100001	1500	7.2
TZH 3,0/150	N55100002	3000	10.8
TZH 5,0/150	N55100004	5000	17.3

Dimensions TZH

Model	TZH 1,5/150	TZH 3,0/150	TZH 5,0/150
A, mm	100	100	100
B, mm	150	150	150
C min., mm	310	350	350
C max., mm	360	400	400
D, mm	260	270	295
E, mm	74	74	74
F, mm	120	120	120
G, mm	25	28	34

INFO

Attention must be paid to the working load limit of the single forklift tines.



TZH, swivel hooks, pivoting and swivelling

INFO

For the transport of loads above persons (e.g. on construction sites) appropriate security measures against falling loads or parts must be taken.

The load must not exceed the fork length.



TKG vhs Crane forks

Capacity 200 - 5000 kg

These crane forks are equipped with adjustable tines, height adjustability and an automatic balancing system. Crane forks with automatic balancing* tend to point their tines upward when being transported. This prevents the load from unintentionally slipping off the tines.

The shackle is movable and runs on a track depending on the load. The automatic balancing engages by a pressurized gas spring once the forks are loaded. The load will always be in the center of gravity of the forks, ensuring a safe transport.

***The automatic balancing system requires a minimum load of 20% of the crane forks' working load limit!**

Features

- All crane forks comply with the latest standards and CE-directives.
- Safety factor 4:1
- Maintenance-free
- Highly visible safety colour
- For the transport of rings or coils, the fork tines are simply pushed together.
- Easily adjustable tines for all pallet sizes.

Scope of delivery

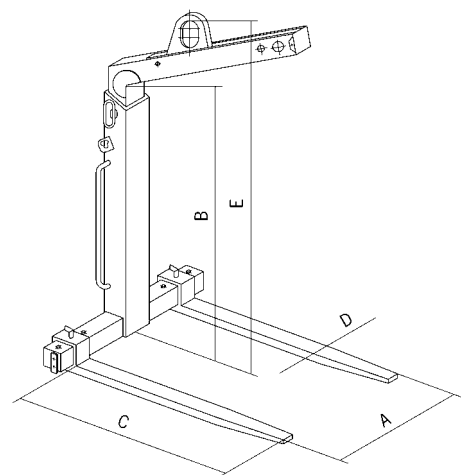
Chain for load securing

Technical data TKG vhs

Model	Art.-No.	Capacity kg	Weight kg
TKG 1,0 vhs	N53407531	200 - 1000	128
TKG 1,5 vhs	N53407532	300 - 1500	158
TKG 2,0 vhs	N53407533	400 - 2000	203
TKG 3,0 vhs	N53407534	600 - 3000	260
TKG 5,0 vhs	N53407535	1000 - 5000	413

Dimensions TKG vhs

Model	TKG 1,0 vhs	TKG 1,5 vhs	TKG 2,0 vhs	TKG 3,0 vhs	TKG 5,0 vhs
Adjustment of tines A, mm	350 - 900	350 - 900	400 - 900	450 - 900	500 - 1000
Usable height B, mm	1100 - 1600	1300 - 2000	1300 - 2000	1300 - 2000	1300 - 2000
Length of tines C, mm	1000	1000	1000	1000	1000
Section of tines D, mm	100 x 30	100 x 40	120 x 40	120 x 50	150 x 60
Overall height E, mm	1420 - 1920	1650 - 2350	1655 - 2355	1720 - 2420	1710 - 2410



TKG vh Crane forks

Capacity 1000 - 5000 kg

These crane forks are equipped with adjustable tines and height adjustability. The balancing system engages when the shackle is manually hooked into the appropriate notch.

Features

- All crane forks comply with the latest standards and CE-directives.
- Safety factor 4:1
- Maintenance-free
- Highly visible safety colour
- For the transport of rings or coils, the fork tines are simply pushed together.
- Easily adjustable tines for all pallet sizes.

Scope of delivery

Chain for load securing

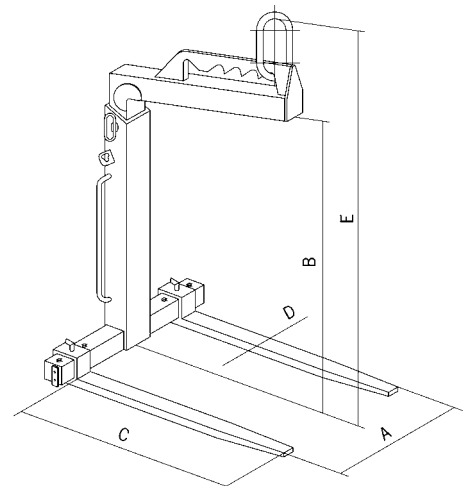


INFO

The load must not exceed the fork length.

Technical data TKG vh

Model	Art.-No.	Capacity kg	Weight kg
TKG 1,0 vh	N53407511	1000	128
TKG 1,5 vh	N53407512	1500	148
TKG 2,0 vh	N53407513	2000	193
TKG 3,0 vh	N53407514	3000	248
TKG 5,0 vh	N53407515	5000	388



Dimensions TKG vh

Model	TKG 1,0 vh	TKG 1,5 vh	TKG 2,0 vh	TKG 3,0 vh	TKG 5,0 vh
Adjustment of tines A, mm	350 - 900	350 - 900	400 - 900	450 - 900	500 - 1000
Usable height B, mm	1100 - 1600	1300 - 2000	1300 - 2000	1300 - 2000	1300 - 2000
Length of tines C, mm	1000	1000	1000	1000	1000
Section of tines D, mm	100 x 30	100 x 40	120 x 40	120 x 50	150 x 60
Overall height E, mm	1390 - 1890	1600 - 2300	1640 - 2340	1670 - 2370	1700 - 2400



- TKI with digital display and radio control

The crane weigher can be operated by radio control. The displayed values can be taken off the remote control device and can be transferred to a PC. Several measured values can be totalled and saved. Various functions like piece counting, maximum weight (gross/net) can be realized.

Features

- TKI crane weigher has the same features like the model TKE.
- Remote control and data exchange via radio transmission.
- USB interface
- Accumulation memory

Optional

- User software for data processing
- PC cable
- Lower hook

Scope of delivery

- Crane weigher with infrared remote control
- Remote control and data exchange via radio transmission.
- 8 x 1.5V AA batteries
- Carrying case
- Test certificate
- Upper and lower shackle

Crane weighers

Measuring range 0 - 9.5 t

The crane weighers TKE and TKI are compact measuring devices for the weighing of loads.

Due to the compact design and robust steel housing the crane weighers are suitable for a wide range of applications. The crane weighers have a liquid crystal display (LCD), which can tare as well as show either the gross or the net load.

Both models TKE and TKI are fitted with an infrared remote control with a range of 8 m.

- TKE with digital display

Features

- High accuracy: $\pm 0,03\%$ of the weighing range
- Lightweight design
- Easy-to-read display
- Easy to use
- Robust design
- Retains the peak value to memory.
- Operating time of about 40 hours (without radio frequency communication)
- Automatic setting to zero when load indicator is switched on.
- Display of maximum weight (gross/net).
- Display of measuring units on the load indicator.
- Measuring units g, kg, t and lbs.
- Automatic stand-by for a prolonged battery lifetime.

Optional

- Lower hook

Scope of delivery

- Crane weigher with infrared remote control
- 4 x 1.5 V AA batteries
- Carrying case
- Test certificate
- Upper and lower shackle

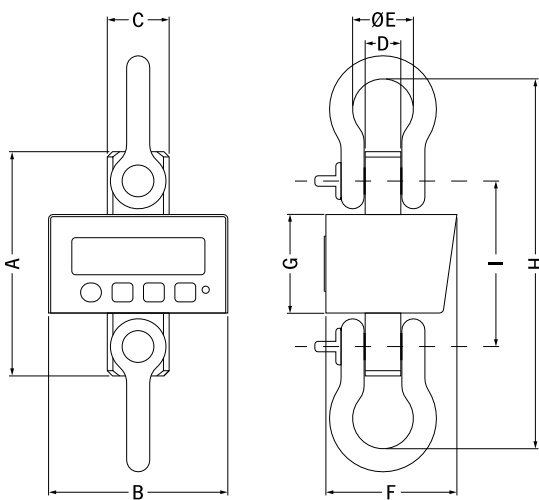
Technical data TKE and TKI

Model	TKE 1,5 TKI 1,5			TKE 6,0 TKI 6,0			TKE 9,5 TKI 9,5		
	Art.-No. TKE	N53908560			N53908561			N53908562	
Art.-No. TKI	N53908566			N53908567			N53908568		
Measuring range, t	0 - 1.5			0 - 6.0			0 - 9.5		
Breaking load, t	≥ 4.5			≥ 24.0			≥ 38.0		
Weight with lifting accessories, kg	6			10			15		
Resolution step, kg (partition)	up to 300 0.1	up to 600 0.2	up to 1500 0.5	up to 1500 0.5	up to 3000 1.0	up to 6000 2.0	up to 3000 1.0	up to 6000 2.0	up to 9500 5.0
Operation time, approx., h ¹	40								
Temperature range (operation)	- 10°C up to + 40°C								
Temperature range (storage)	- 10°C up to + 40°C								
Protection	IP 40								
Display (LCD 25 mm high)	5 ½ digits								
Tare range	100 % of rated capacity								
Overload warning	The crane weigher switches off when exceeding the rated load.								

¹with 4 x 1.5 V AA batteries (without radio frequency communication)

Dimensions TKE and TKI

Model	TKE 1,5 TKI 1,5	TKE 6,0 TKI 6,0	TKE 9,5 TKI 9,5
A, mm	193	226	246
B, mm	175	175	175
C, mm	49	59	80
D, mm	24	37	46
E, mm	44	58	74
F, mm	133	133	133
G, mm	104	104	104
H, mm	330	363	430
J, mm	153	170	180





- TKR with digital display and radio control

The crane weigher can be operated by radio control. The displayed values can be taken off the remote control device and can be transferred to a PC. The system can be combined with an easy-to-read display. Several measured values can be totalled and saved.

Features

- TKR crane weigher has the same features like the model TKL plus.
- Remote control and data exchange via radio transmission.
- USB interface
- Accumulation memory

Optional

- External easy-to-read display.

Scope of delivery

- Crane weigher
- Remote control with display
- 7 x 1.5V AA batteries
- Carrying case
- Test certificate
- PC cable
- User software



Crane weighers

Measuring range 0 - 12 t

The crane weighers TKL and TKR are compact measuring devices for the weighing of loads. Use appropriate attachments like grade 8 forgings between the hook of the hoist or crane, the crane weigher and the load.

The crane weighers have a liquid crystal display (LCD), which can tare as well as show either the gross or the net load. It also indicates overload at 110 % of the rated capacity and the status of the battery.

- TKL with digital display

Features

- High accuracy
- Lightweight design
- Easy-to-read display
- Easy to use
- Robust design
- Housing can be rotated 180°
- Retains the peak value to memory.
- The battery capacity provides for around 200 operating hours.
- Automatic setting to zero when load indicator is switched on.
- Use of rechargeable batteries possible (external battery charger*).
- Display of maximum weight (gross/net).
- Display of measuring units on the load indicator.
- Measuring units kg, t, lbs, to, kN.
- Automatic stand-by for a prolonged battery lifetime.
- Simple change of batteries
- Warning if batteries are low.
- Overload warning

Scope of delivery

- Crane weigher
- 4 x 1.5V AA batteries
- Carrying case
- Test certificate

*not part of the delivery package.

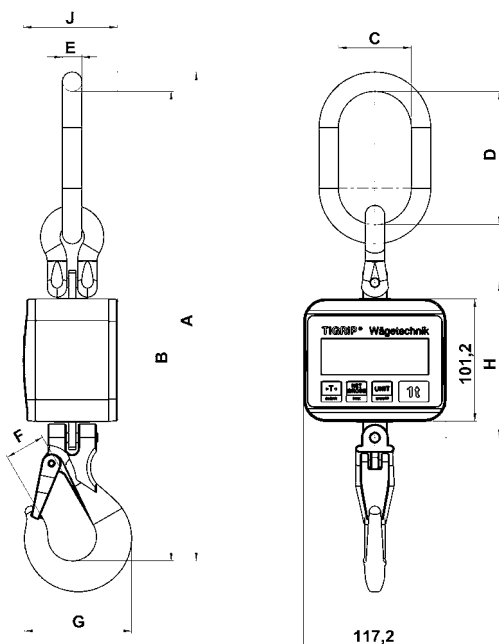
Technical data TKL and TKR

Model	TKL 1,0 -	TKL 2,0 -	TKL 3,2 -	- TKR 5,0	- TKR 8,0	- TKR 12,0
Art.-No. TKL	N53908446	N53908448	N53908451	-	-	-
Art.-No. TKR	-	-	-	N53908454	N53908456	N53908458
Measuring range, t	0 - 1.0	0 - 2.0	0 - 3.2	0 - 5.0	0 - 8.0	0 - 12.0
Nominal load, t	1.0	2.0	3.2	5.0	8.0	12.0
Limit load, t	1.1	2.2	3.5	5.5	8.8	13.2
Breaking load, t	≥4.0	≥8.0	≥13.0	≥20.0	≥32.0	≥48.0
Weight without lifting accessories, kg	1.85	1.99	2.5	2.7	3.6	3.9
Weight with lifting accessories, kg	3.0	3.5	6.0	7.5	10.5	20.0
Accuracy of the end value	0.1%	0.1%	0.1%	0.1%	0.1%	0.1%
Resolution step, kg (partition)	0.5	1.0	1.0	1.0	2.0	5.0
Operation time, approx., h ¹	200					
Temperature range (operation)	-10°C up to +50°C					
Temperature range (storage)	-20°C up to +70°C					
Protection	IP 54					
Display (LCD 20.5 mm high)	4 ½ digits					
Tare range	100% of rated capacity					
Overload warning	Overload warning at 110% of the rated capacity					

¹with 4 x 1.5V AA batteries

Dimensions TKL and TKR

Model	TKL 1,0 -	TKL 2,0 -	TKL 3,2 -	- TKR 5,0	- TKR 8,0	- TKR 12,0
A, mm	389	417	488	571	657	804
B, mm	356	379	441	514	588	709
C, mm	60	60	75	90	100	140
D, mm	110	110	135	160	180	260
E, mm	13	16	18	22	26	35
F, mm	20	25	32	40	49	45
G, mm	70	81	103	126	152	190
H, mm	128	136	140	148	158	176
J, mm	77.4	77.4	84.4	84.4	97.4	97.4





- TZR with digital display and radio control

The load indicator can be operated via radio control. The displayed values can be taken off the remote control device and can be transmitted to a PC. The system can be combined with an easy-to-read display. Several measured values can be totalled and saved.

Features

- TZR load indicator has the same features like the model TZL plus.
- Remote control and data exchange via radio transmission.
- USB interface
- Accumulation memory

Optional

- External easy-to-read display.

Scope of delivery

- Load indicator
- Remote control with display
- 7 x 1.5V AA batteries
- Carrying case
- Test certificate
- Without shackles and hooks
- PC cable
- User software



Load indicator

Measuring range 0 - 100 t

The Tigrip® load indicator is a mechanical measuring instrument with electronic display. On account of its flexibility the Tigrip® load indicator has universal applications. Whether used as a conventional crane weigher or to measure forces, it is the economical choice for various applications. It can be used in conjunction with shackles and hooks.

The load indicator is provided with liquid crystal display (LCD), which can tare as well as show either the gross or the net load. It also indicates overload at 110% of the rated capacity and the status of the battery).

- TZL with digital display

Features

- High accuracy
- Lightweight design
- Easy-to-read display
- Easy to use
- Robust design
- Retains the peak value to memory.
- The battery capacity provides for around 200 operating hours.
- Automatic setting to zero when load indicator is switched on.
- Use of rechargeable batteries possible (external battery charger*).
- Display of maximum weight (gross/net).
- Display of measuring units on the load indicator.
- Measuring units kg, t, lbs, to, kN.
- Automatic stand-by for a prolonged battery lifetime.
- Simple change of batteries
- Warning if batteries are low.
- Overload warning

Scope of delivery

- Load indicator
- 4 x 1.5V AA batteries
- Carrying case
- Test certificate
- Without shackles and hooks

*not part of the delivery package.

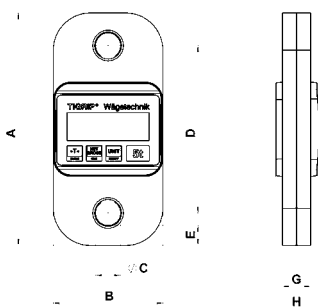
Technical data TZL and TZR

Model	TZL 2,5 -	TZL 5,0 -	TZL 10,0 TZR 10,0	TZL 20,0 TZR 20,0	- TZR 35,0	- TZR 50,0	- TZR 100,0
Art.-No. TZL	N53808324	N53808325	N53808326	N53808327	-	-	-
Art.-No. TZL shackles	CM851A	N42000064	N42000069	N42000069	-	-	-
Art.-No. TZL hooks	N53818351	N53818352	N53818322	N53818324	-	-	-
Art.-No. TZR	-	-	N53808333	N53808335	N53808336	N53808337	N53808338
Art.-No. TZR shackles	-	-	N42000069	N42000069	N42000071	N42000072	N42000075
Art.-No. TZR hooks	-	-	N53818322	N53818324	N53818326	N53818328	N53818330
Measuring range, t	0 - 2.5	0 - 5.0	0 - 10.0	0 - 20.0	0 - 35.0	0 - 50.0	0 - 100.0
Nominal load, t	2.5	5.0	10.0	20.0	35.0	50.0	100.0
Limit load, t	2.75	5.5	11	22	38.5	55	110
Breaking load, t	≥ 10	≥ 20	≥ 40	≥ 80	≥ 140	≥ 200	≥ 400
Weight without lifting accessories, kg	1.7	2.1	3.9	6.8	9.4	14.4	39.3
Accuracy of the end value	0.2%	0.2%	0.2%	0.2%	0.2%	0.2%	0.2%
Resolution step, kg (partition)	1	1	10	10	10	10	50
Operation time, approx., h ¹	200						
Temperature range (operation)	-10°C up to +50°C						
Temperature range (storage)	-20°C up to +70°C						
Protection	IP 54						
Display (LCD 20.5 mm high)	4 ½ digits						
Tare range	100% of rated capacity						
Overload warning	Overload warning at 110% of the rated capacity						

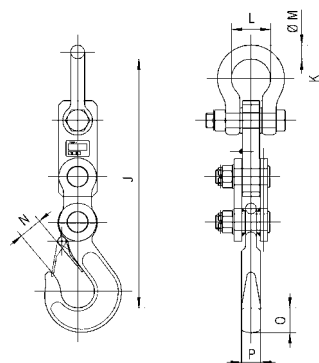
¹with 4 x 1.5V AA batteries

Dimensions TZL and TZR

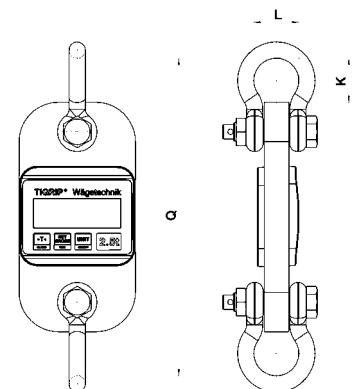
Model	TZL 2,5 -	TZL 5,0 -	TZL 10,0 TZR 10,0	TZL 20,0 TZR 20,0	- TZR 35,0	- TZR 50,0	- TZR 100,0
A, mm	233	250	325	378	405	450	640
B, mm	118	118	118	141	156	180	260
C, mm	22	27	48	55	66	76	100
D, mm	173	180	213	233	245	264	380
E, mm	19	215	22	32	47	55	80
G, mm	25	305	47	57	67	77	99
H, mm	422	451	644	742	842	942	113
J, mm	604	610	690	780	1000	1170	-
K, mm	34	50	105	92	130	140	300
L, mm	38	44	95	95	114	132	238
M, mm	16	19	35	35	44	51	89
N, mm	25	32	50	70	110	115	-
O, mm	23	37	63	80	123	132	-
P, mm	17	28	44	57	90	97	-
Q, mm	309	315	535	562	665	730	1240



Load indicator TZL/TZR 2.5 up to 100.0t



Load indicator TZL/TZR with hook



Load indicator TZL/TZR with shackle