



UNIFIED INDUSTRIES

A Columbus McKinnon Brand

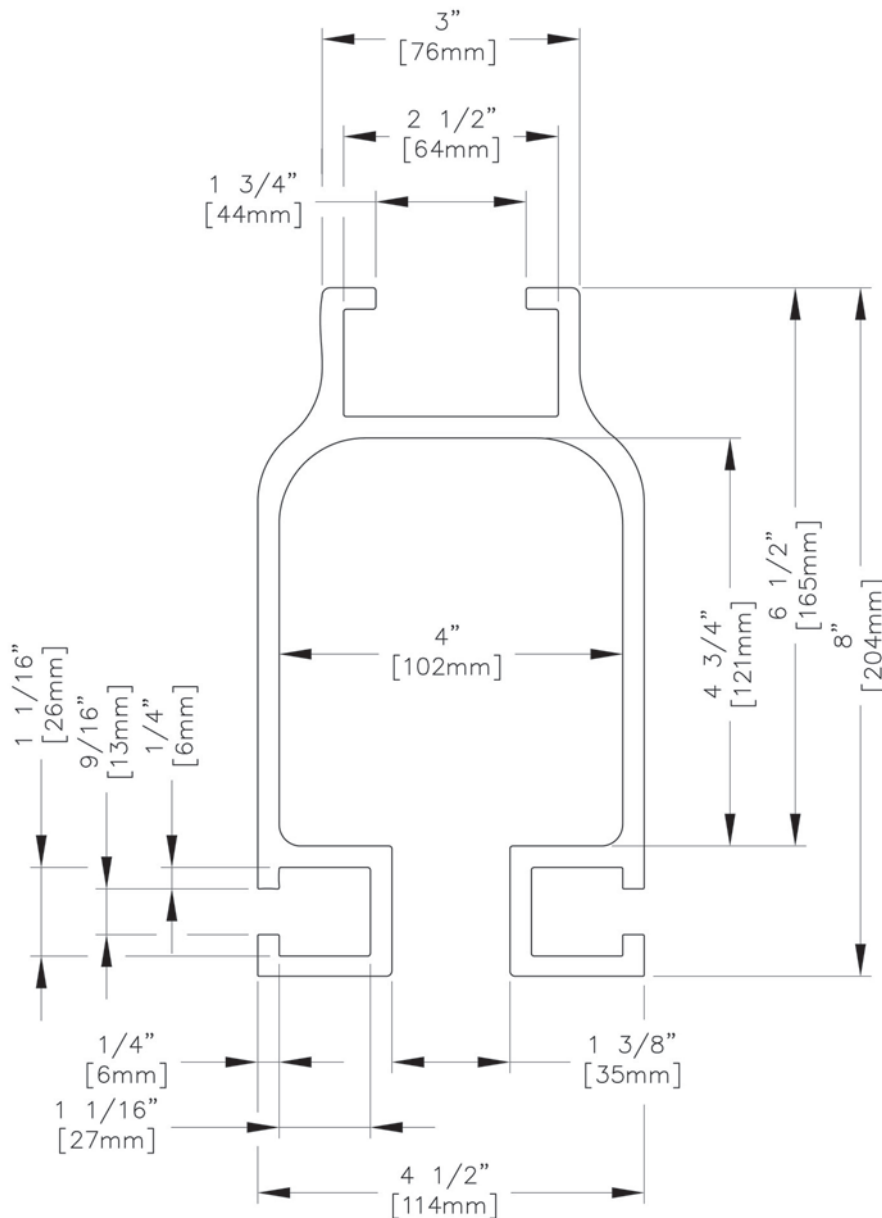
ETA-8 RAIL SYSTEMS





	PAGE
ETA-8 Rail Profiles.....	2-5
ETA-8 Rail Load Charts.....	6-7
ETA-8 Hangers.....	8-11
ETA-8 Inspection Gate	12
ETA-8 Curved Rail.....	13-14
ETA-8 Load Trolleys.....	15-18
ETA-8 Festoon Trolleys.....	19-22
ETA-8 Bumper Trolleys.....	23
ETA-8 End Trucks.....	24-43
ETA-8 Bridges.....	44-50
ETA-8 Telescopes.....	51-56
ETA-8 Jib Cranes.....	57-58
ETA-8 Interlock.....	59-60
ETA-8 Clean Room and Food Applications.....	61
ETA-8 Free Stands.....	62
ETA-8 End Stops.....	63-64
ETA-8 Splice Assemblies.....	65
Unified Air Festooning.....	66-69
ETA-8 Limit Switch Bracket/By-Pass.....	70
Drop Angle Kits.....	71-73
Air Tractor.....	74
Air Balancer.....	75-76
Caution Statement.....	77

***All dimensions are reference only
and need to be verified with factory.**



**ETA-8 RAIL PROFILE
(87015)**

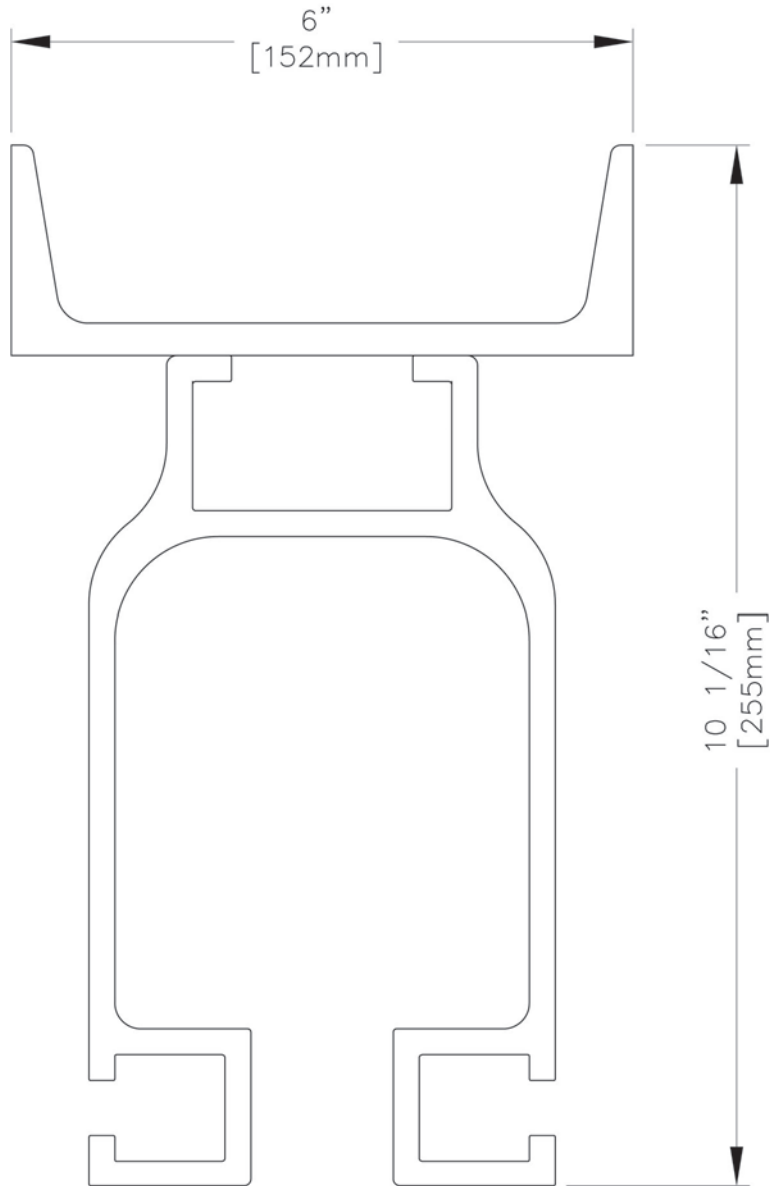
Part Number:

ETA8RW 08

Length of Rail in Feet (08 = 8 Feet)

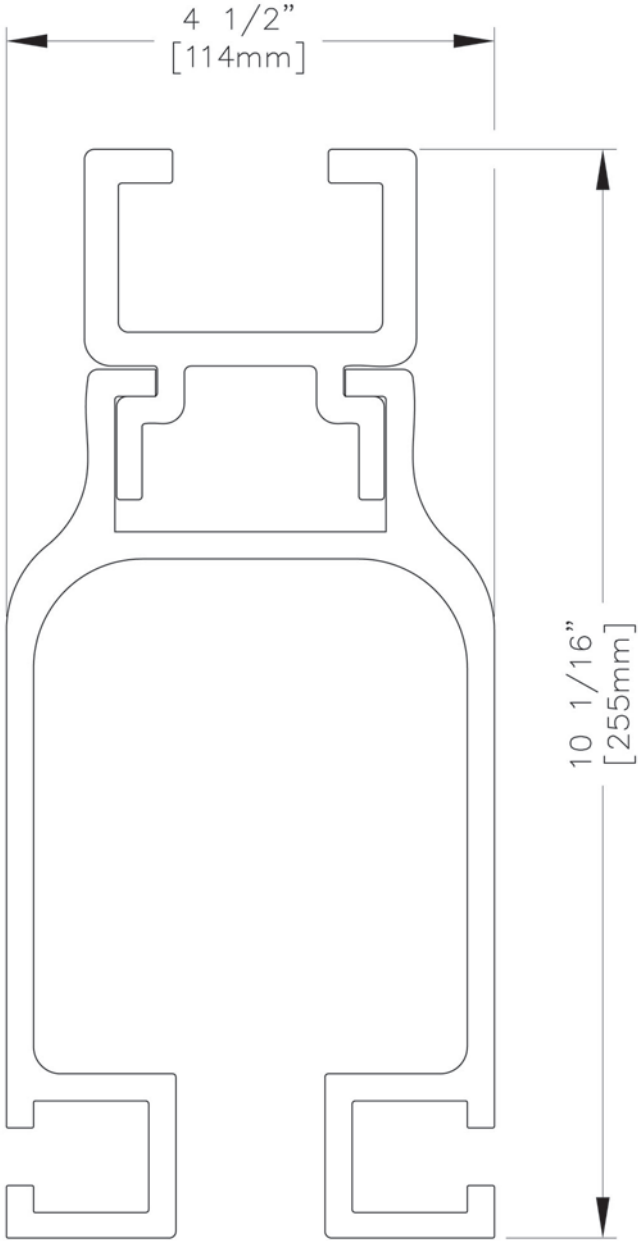
Rail Profile

- All Runways are Drilled for End Stops and Splice Holes.
- Round up to the nearest foot (Cut to 8'-6" = ETA8RW09)
- Maximum Length: 42'-0" (12.8m)
- Weight: 8.16lbs./ft. (12.14kg/m)
- Standard Color Unified Safety Yellow
- Other Colors Specify when Ordering



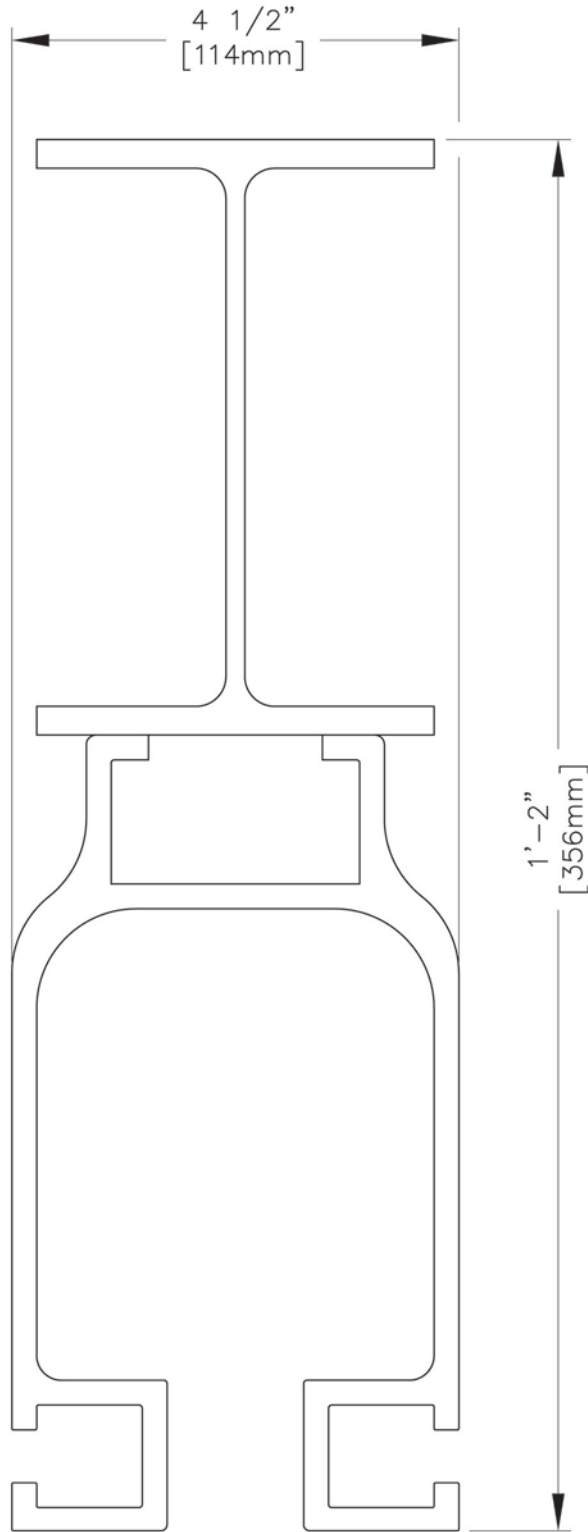
ETA-8 RAIL WITH C6 X 3.63 CHANNEL CAP PROFILE

- Weight: 11.79 lbs./ft. (17.5kg/m)



ETA-8 RAIL WITH ETA STRONG BACK PROFILE

- Weight: 11.74 lbs./ft. (17.5kg/m)



ETA-8 RAIL WITH W6 X 4 I-BEAM CAP PROFILE

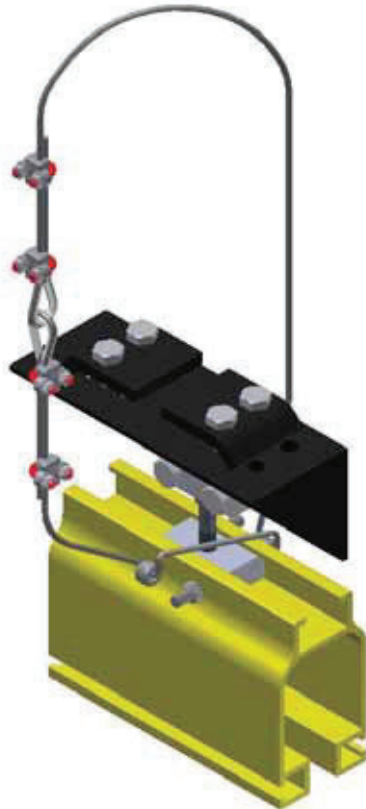
- Weight: 12.32 lbs./ft. (18.3kg/m)



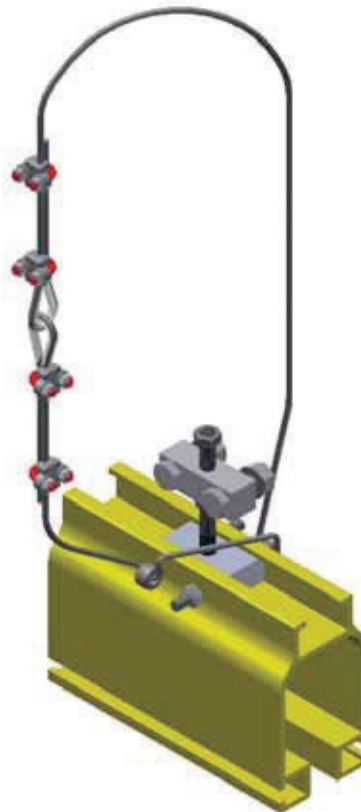
Span Ft. (in)	Deflection Limit (in)	Point Load @ Center of Span (lbs)			
		ETA-8	ETA-8 + CHANNEL CAP	ETA-8 + ETA STRONGBACK	ETA-8 + I-BEAM CAP
		L/450	L/450	L/450	L/450
5 (60)	.1333	4000	4000	4000	4000
6 (72)	.1600	4000	4000	4000	4000
7 (84)	.1867	4000	4000	4000	4000
8 (96)	.2133	4000	4000	4000	4000
9 (108)	.2400	4000	4000	4000	4000
10 (120)	.2667	3536	4000	4000	4000
11 (132)	.2933	2922	4000	4000	4000
12 (144)	.3200	2455	4000	4000	4000
13 (156)	.3467	2092	4000	4000	4000
14 (168)	.3733	1804	3651	3713	4000
15 (180)	.4000	1571	3180	3234	4000
16 (192)	.4267	1381	2795	2843	4000
17 (204)	.4533	1223	2476	2518	4000
18 (216)	.4800	1091	2208	2246	4000
19 (228)	.5067	979	1982	2016	3911
20 (240)	.5333	884	1789	1819	3530
21 (252)	.5600	802	1623	1650	3202
22 (264)	.5867	731	1478	1504	2917
23 (276)	.6133	668	1353	1376	2669
24 (288)	.6400	614	1242	1263	2451
25 (300)	.6667	566	1145	1164	2259
26 (312)	.6933	523	1058	1077	2089
27 (324)	.7200	485	982	998	1937
28 (336)	.7467	451	913	928	1801
29 (348)	.7733	420	851	865	1679
30 (360)	.8000	393	795	809	1569
31 (372)	.8267	368	745	757	1469
32 (384)	.8533	345	699	711	1379
33 (396)	.8800	325	657	668	1297
34 (408)	.9067	306	619	630	1221
35 (420)	.9333	289	584	594	1153
36 (432)	.9600	273	552	562	1089
37 (444)	.9867	258	523	532	1031
38 (456)	1.013	245	496	504	978
39 (468)	1.040	232	470	478	928
40 (480)	1.067	221	447	455	882



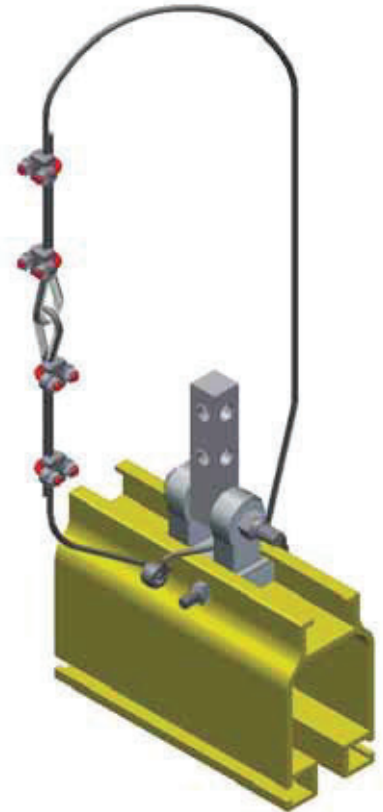
Span M (mm)	Deflection Limit (mm)	Point Load @ Center of Span (kg)			
		ETA-8	ETA-8 + CHANNEL CAP	ETA-8 + ETA STRONGBACK	ETA-8 + I-BEAM CAP
		L/450	L/450	L/450	L/450
1.50 (1500)	3.3	1814	1814	1814	1814
1.75 (1750)	3.9	1814	1814	1814	1814
2.00 (2000)	4.4	1814	1814	1814	1814
2.25 (2250)	5.0	1814	1814	1814	1814
2.50 (2500)	5.6	1814	1814	1814	1814
2.75 (2750)	6.1	1814	1814	1814	1814
3.00 (3000)	6.7	1656	1814	1814	1814
3.25 (3250)	7.2	1411	1814	1814	1814
3.50 (3500)	7.8	1216	1814	1814	1814
3.75 (3750)	8.3	1060	1814	1814	1814
4.00 (4000)	8.9	931	1814	1814	1814
4.25 (4250)	9.4	825	1669	1698	1814
4.50 (4500)	10.0	736	1489	1514	1814
4.75 (4750)	10.6	660	1336	1359	1814
5.00 (5000)	11.1	596	1206	1227	1814
5.25 (5250)	11.7	541	1094	1113	1814
5.50 (5500)	12.2	493	997	1014	1814
5.75 (5750)	12.8	451	912	928	1800
6.00 (6000)	13.3	414	838	852	1653
6.25 (6250)	13.9	381	772	785	1523
6.50 (6500)	14.4	353	714	726	1408
6.75 (6750)	15.0	327	662	673	1306
7.00 (7000)	15.6	304	615	626	1214
7.25 (7250)	16.1	283	574	583	1132
7.50 (7500)	16.7	265	536	545	1058
7.75 (7750)	17.2	248	502	511	991
8.00 (8000)	17.8	233	471	479	930
8.25 (8250)	18.3	219	443	451	874
8.50 (8500)	18.9	206	417	424	824
8.75 (8750)	19.4	195	394	401	777
9.00 (9000)	20.0	184	372	379	735
9.25 (9250)	20.6	174	352	358	695
9.50 (9500)	21.1	165	334	340	659
9.75 (9750)	21.7	157	317	323	626
10.00 (10000)	22.2	149	302	307	595
10.25 (10250)	22.8	142	287	292	566
10.50 (10500)	23.3	135	273	278	540
10.75 (10750)	23.9	129	261	265	515
11.00 (11000)	24.4	123	249	253	492
11.25 (11250)	25.0	118	238	242	470
11.50 (11500)	25.6	113	228	232	450
11.75 (11750)	26.1	108	218	222	431
12.00 (12000)	26.7	103	209	213	413
12.25 (12500)	27.2	99	201	204	396



CLOSED ADJUSTABLE HANGER
25471 FOR BEAMS 2.33" (59mm)
TO 3.33" (85mm) wide
25472 FOR BEAMS 4" (102mm)
TO 8" (203mm) wide



25465 ADJUSTABLE BLOCK HANGER
Allows for 2" (50mm) of vertical adjustment
in the field

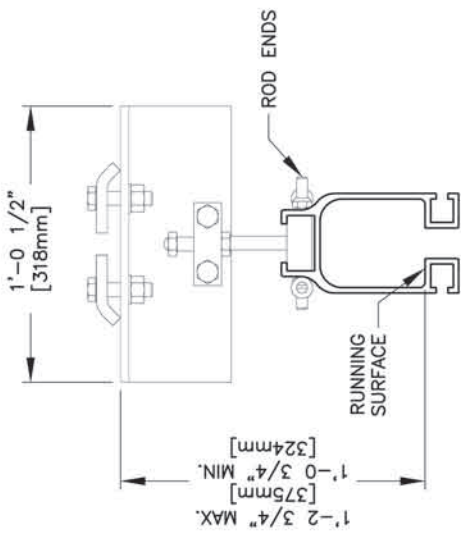


25170 BLOCK HANGER

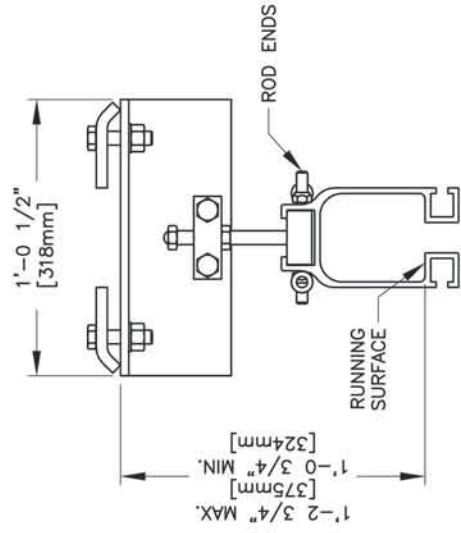
- **All hangers must be bolted through rail.**
- **All hangers include a 6'-0" (1.82m) safety cable 78287.**

*Note: Grip range 1/4" (6mm) to 9/16" (15mm) thick flange.

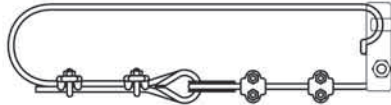
**Adjustable Hangers recommended for Light Duty Use Only. These hangers should not be used in applications that include: telescopes, cantilevered loads, shock loading, tractors.



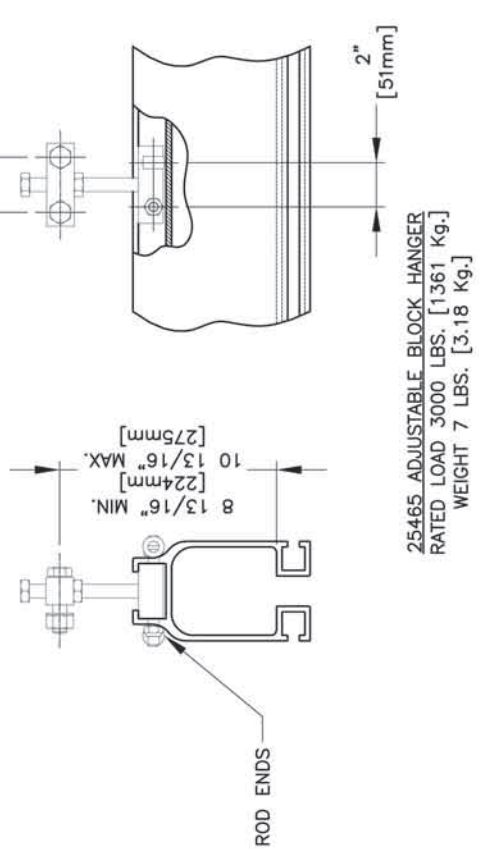
25471 CLOSED ADJUSTABLE HANGER
FOR BEAMS 2.33" [59mm] TO 3.33" [85mm] WIDE
RATED LOAD 3000 LBS. [1361 Kg.]
WEIGHT 25 LBS. [11.34 Kg.]



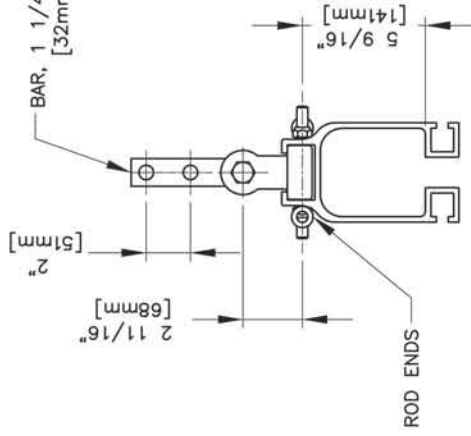
25472 CLOSED ADJUSTABLE HANGER
FOR BEAMS 4" [102 Kg.] TO 8" [203mm] WIDE
RATED LOAD 3000 LBS. [1361 Kg.]
WEIGHT 25 LBS. [11.34 Kg.]



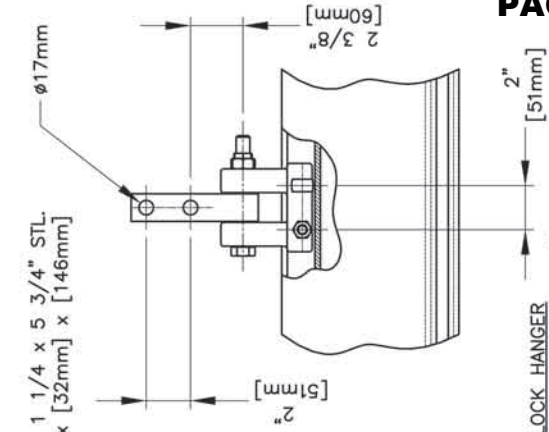
SAFETY_CABLE_ASSEMBLY_VIEW
ALL HANGERS COME WITH A SAFETY CABLE 78287

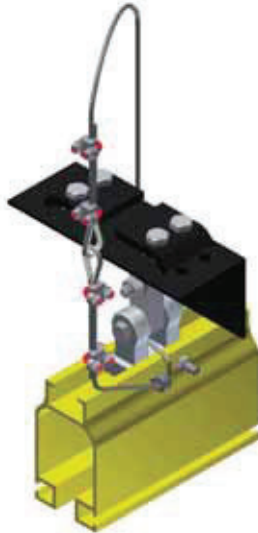


25465 ADJUSTABLE BLOCK HANGER
RATED LOAD 3000 LBS. [1361 Kg.]
WEIGHT 7 LBS. [3.18 Kg.]



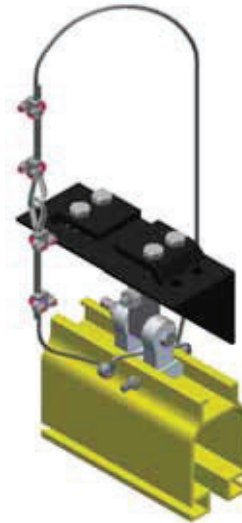
25170 BLOCK HANGER
RATED LOAD 3500 LBS. [1588 Kg.]
WEIGHT 7 LBS. [3.18 Kg.]





BEAM HANGER*
PARALLEL MOUNT

27059 FOR BEAMS 2.33" (59mm) TO 3.33" (85mm)
27061 FOR BEAMS 4" (102mm) TO 8" (203mm)

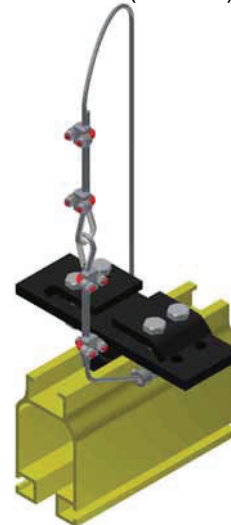


BEAM HANGER*
PERPENDICULAR MOUNT

27059 FOR BEAMS 2.33" (59mm) TO 3.33" (85mm)
27061 FOR BEAMS 4" (102mm) TO 8" (203mm)



27070 ETA RIGID MOUNT HANGER**



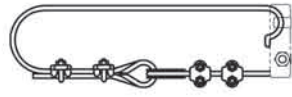
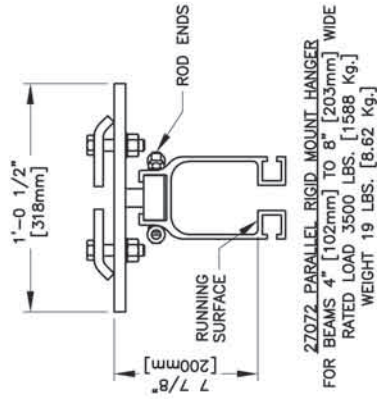
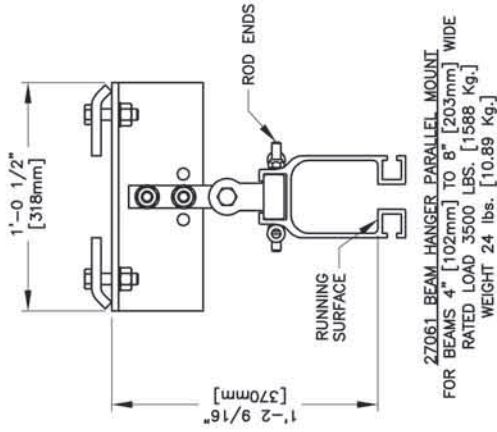
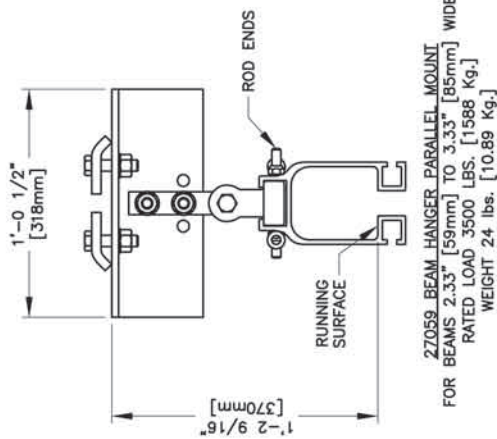
RIGID MOUNT HANGER*
PARALLEL MOUNT

27074 FOR BEAMS 2.33" (59mm) TO 3.33" (85mm)
27072 FOR BEAMS 4" (102mm) TO 8" (203mm)

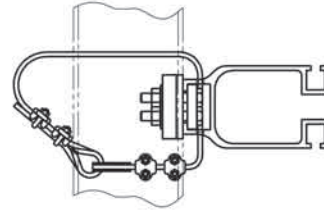
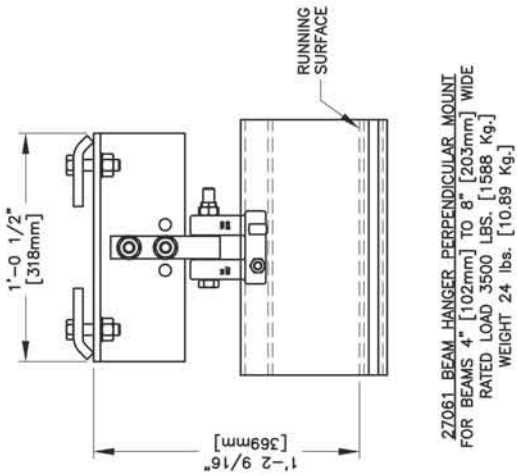
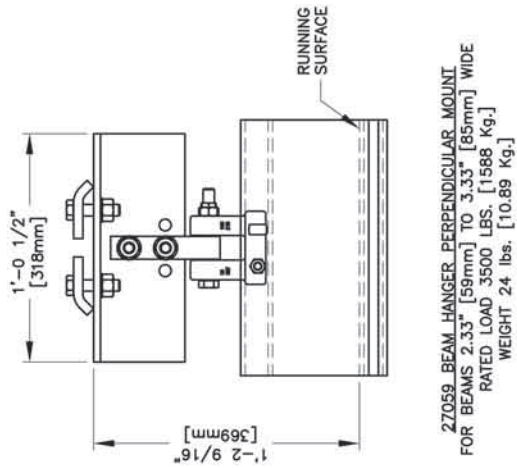
- **All hangers must be bolted through rail.**
- **All hangers include a 6'-0" (1.82m) safety cable 78287.**

*Grip range 1/4" (6mm) to 9/16" (15mm) thick flange.

**For use on W-Shape beams only.



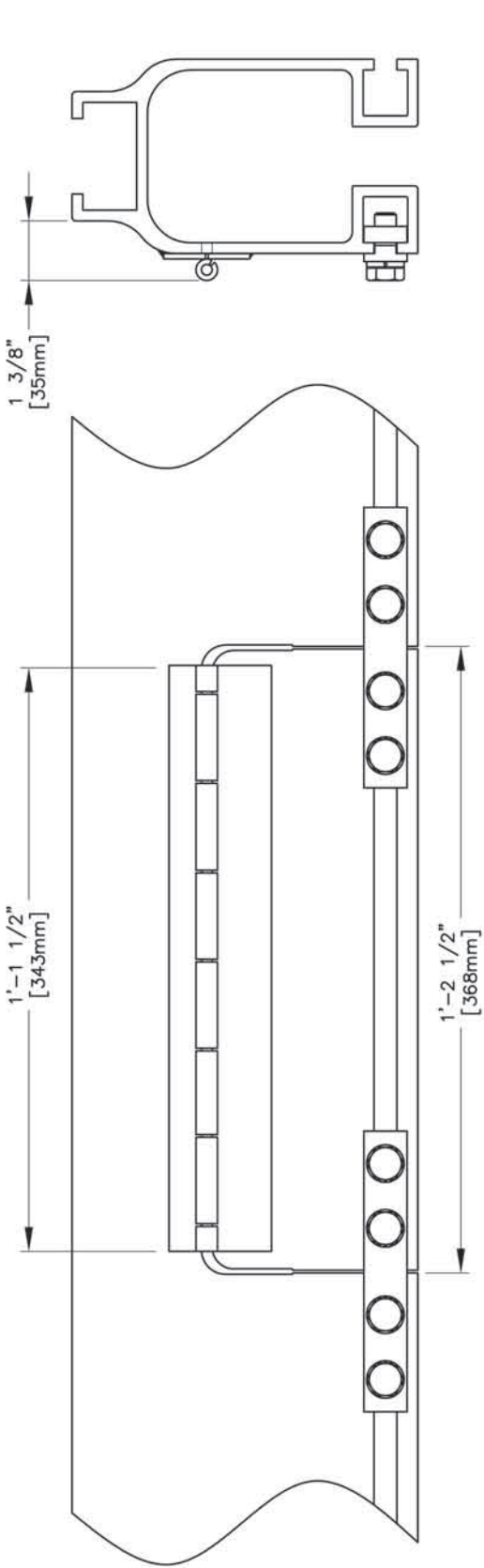
SAFETY CABLE ASSEMBLY VIEW
ALL HANGERS COME WITH A SAFETY CABLE 78287



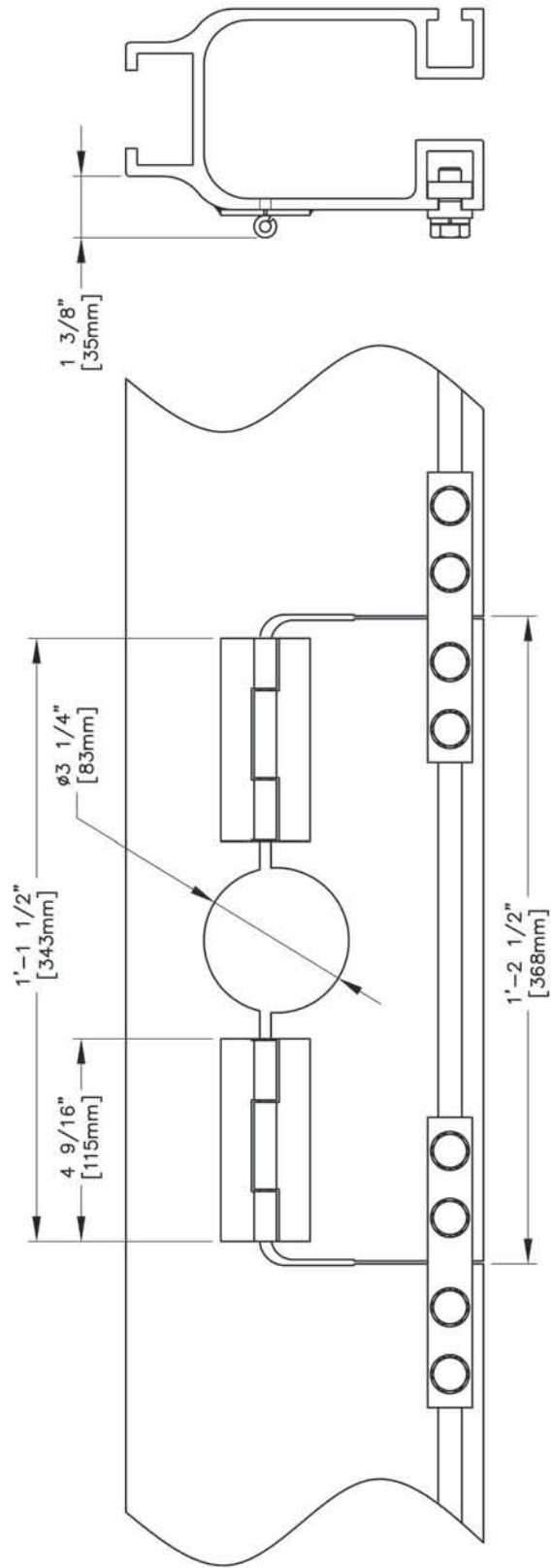
SAFETY CABLE ASSEMBLY VIEW
ALL HANGERS COME WITH A SAFETY CABLE 78287

27070 ETA RIGID MOUNT HANGER
RATED LOAD 3500 LBS. [1588 Kg.]
WEIGHT 10 LBS. [4.54 Kg.]

Ø9/16" [14mm]
SAFETY CABLE HOLE OPTIONS



25785 ETA-8 TROLLEY INSPECTION GATE
FOR INSERTION AND REMOVAL OF TROLLEYS



25786 ETA-8 KICKUP TROLLEY INSPECTION GATE
FOR INSERTION AND REMOVAL OF KICK UP TROLLEYS

Inspection Gates must be 1'-0" from a hanger

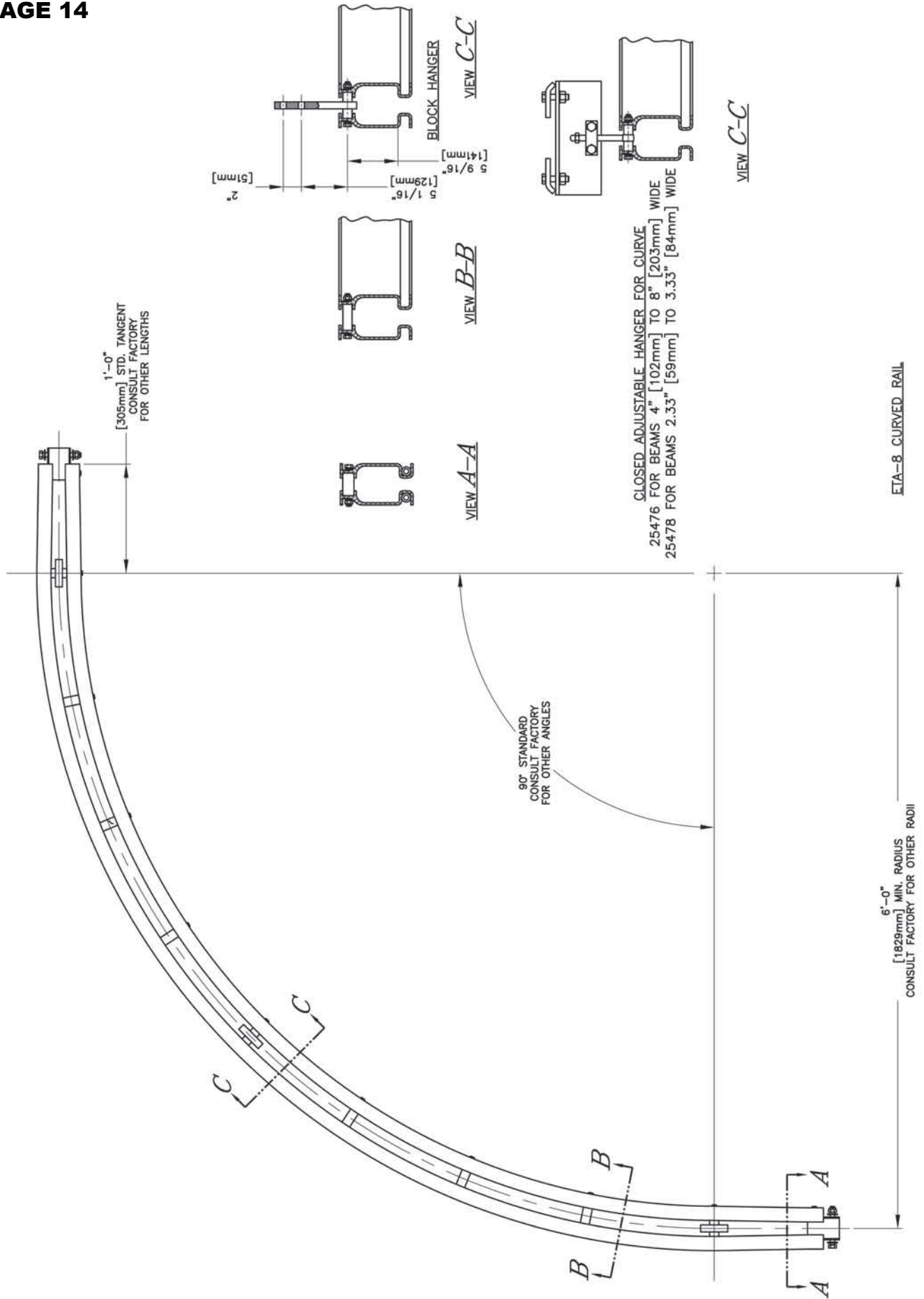


ETA-8 CURVE

Features

- 6'-0" (1219mm) minimum radius
- Consult factory for additional information
- **87049** up to 6'-0" (1829mm) radius x 90° with Closed Adjustable Hangers
- **87050** up to 6'-0" (1829mm) radius x 90°
- **87054** up to 6'-0" (1829mm) radius x 45° with Closed Adjustable Hangers
- **87055** up to 6'-0" (1829mm) radius x 45°
- **87059** 6'-1" (1855mm) to 14'-0" (4267mm) radius x 90° with Closed Adjustable Hangers
- **87060** 6'-1" (1855mm) to 14'-0" (4267mm) radius x 90°

Note: Standard Unified curved sections are not suitable for kick-up forces. If your application requires kick-up trolleys through a curved section, please contact the factory.





UNIFIED ETA-8 RAIL TROLLEYS



20011



20019



20024



20052



20070



20068



20069



20071



28080

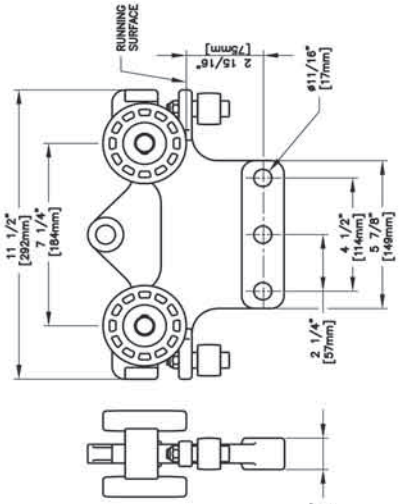
Part Number

- **20011** ETA-8 Short Body Load Trolley with 1100 lb (500kg) Rated Load
- **20019** ETA-8 Long Body Load Trolley with 1100 lb (500kg) Rated Load
- **20024** ETA-8 Three Hole Mount Load Trolley with 1100 lb (500kg) Rated Load
- **20052** ETA-8 Saddle Load Trolley with 1100 lb (500kg) Rated Load
- **20070** ETA-8 Pin Load Trolley with 1100 lb (500kg) Rated Load
- **20068** ETA-8 Short Body Kickup Trolley with 1100 lb (500kg) Rated Load
- **20069** ETA-8 Long Body Kickup Trolley with 1100 lb (500kg) Rated Load
- **20071** ETA-8 Three Hole Mount Kickup Trolley with 1100 lb (500kg) Rated Load
- **28080** ETA-8 Unified Balancer Trolley with 1100 lb (500kg) Rated Load

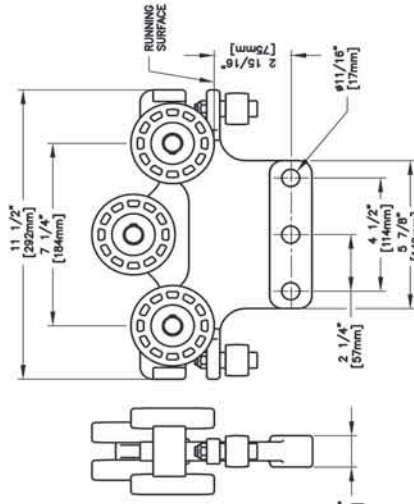
Features

- High tensile almag alloy frame
- 3.2" (82mm) glass filled nylon wheels, with permanently sealed precision ball bearings
- High impact nylon guide rollers with dual race ball bearings for smooth, quiet operation
- Operates within enclosed rail free from obstructing material
- Dielectrically insulated
- Low inertia: less than 1% of load
- Operating temperature range: +32 degrees to +212 degrees F (0 degrees to +100 degrees C)

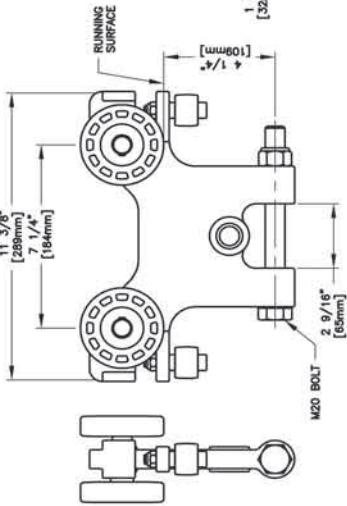
Note: If your application requires kick-up forces through a curved section, please consult the factory.



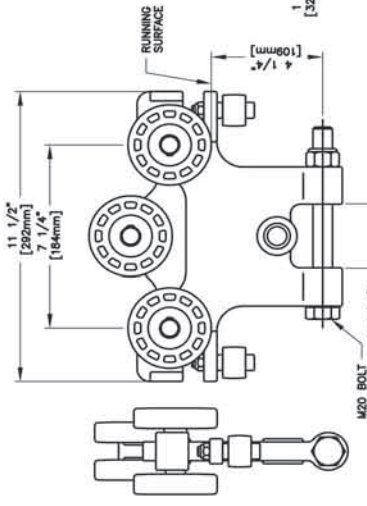
20024 ETA-8 THREE HOLE MOUNT LOAD TROLLEY



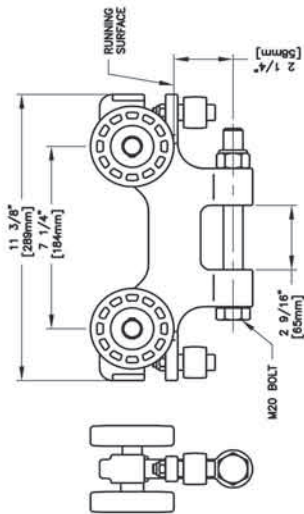
20071 ETA-8 THREE HOLE MOUNT KICKUP TROLLEY



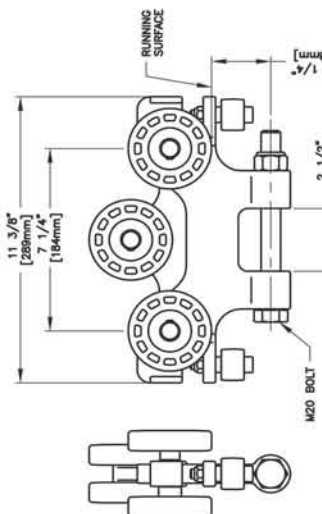
20019 ETA-8 LONG BODY LOAD TROLLEY



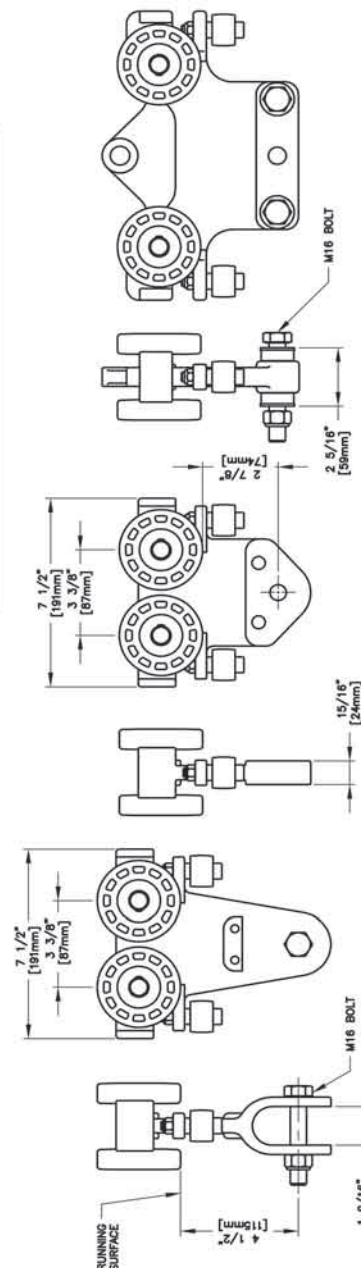
20069 ETA-8 LONG BODY KICKUP TROLLEY



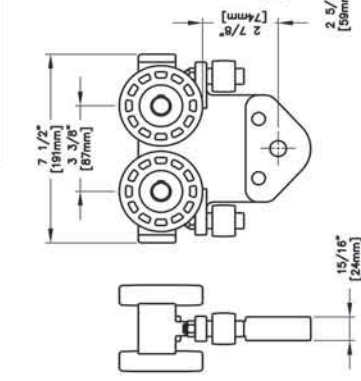
20011 ETA-8 SHORT BODY LOAD TROLLEY



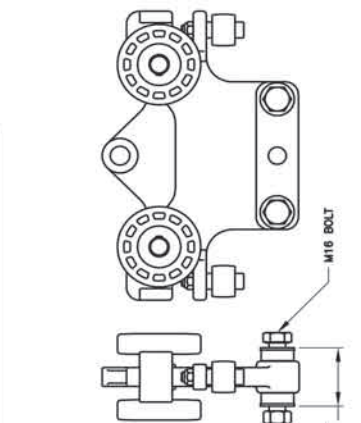
20068 ETA-8 SHORT BODY KICKUP TROLLEY



20052 ETA-8 SADDLE LOAD TROLLEY



20070 ETA-8 PIN LOAD TROLLEY



28080 ETA-8 BALANCER SUSPENSION KIT

SPECIFICATIONS	
WEIGHT OF 20011:	6.29 lbs. [2.85 Kg.]
WEIGHT OF 20019:	7.14 lbs. [3.23 Kg.]
WEIGHT OF 20024:	6.68 lbs. [3.03 Kg.]
WEIGHT OF 20052:	5.66 lbs. [2.57 Kg.]
WEIGHT OF 20068:	7.67 lbs. [3.48 Kg.]
WEIGHT OF 20069:	8.38 lbs. [3.80 Kg.]
WEIGHT OF 20071:	7.53 lbs. [3.42 Kg.]
WEIGHT OF 20070:	5.11 lbs. [2.32 Kg.]
WEIGHT OF 28080:	9.00 lbs. [4.08 Kg.]
BODY : HIGH TENSILE ALMAG	
WHEELS : 3.2 DIA. [81.3mm DIA.] GLASS REINFORCED NYLON	
BEARINGS : BALL PERMANENTLY LUBRICATED	
STUDS : .75 DIA. [19.1mm DIA.]	
GUIDE ROLLERS : 1.25 DIA. [31.8mm] HIGH IMPACT NYLON	

UNIFIED ETA-8 RAIL TROLLEYS



20022



20023



20040



20041



20066



20067



25120



25125

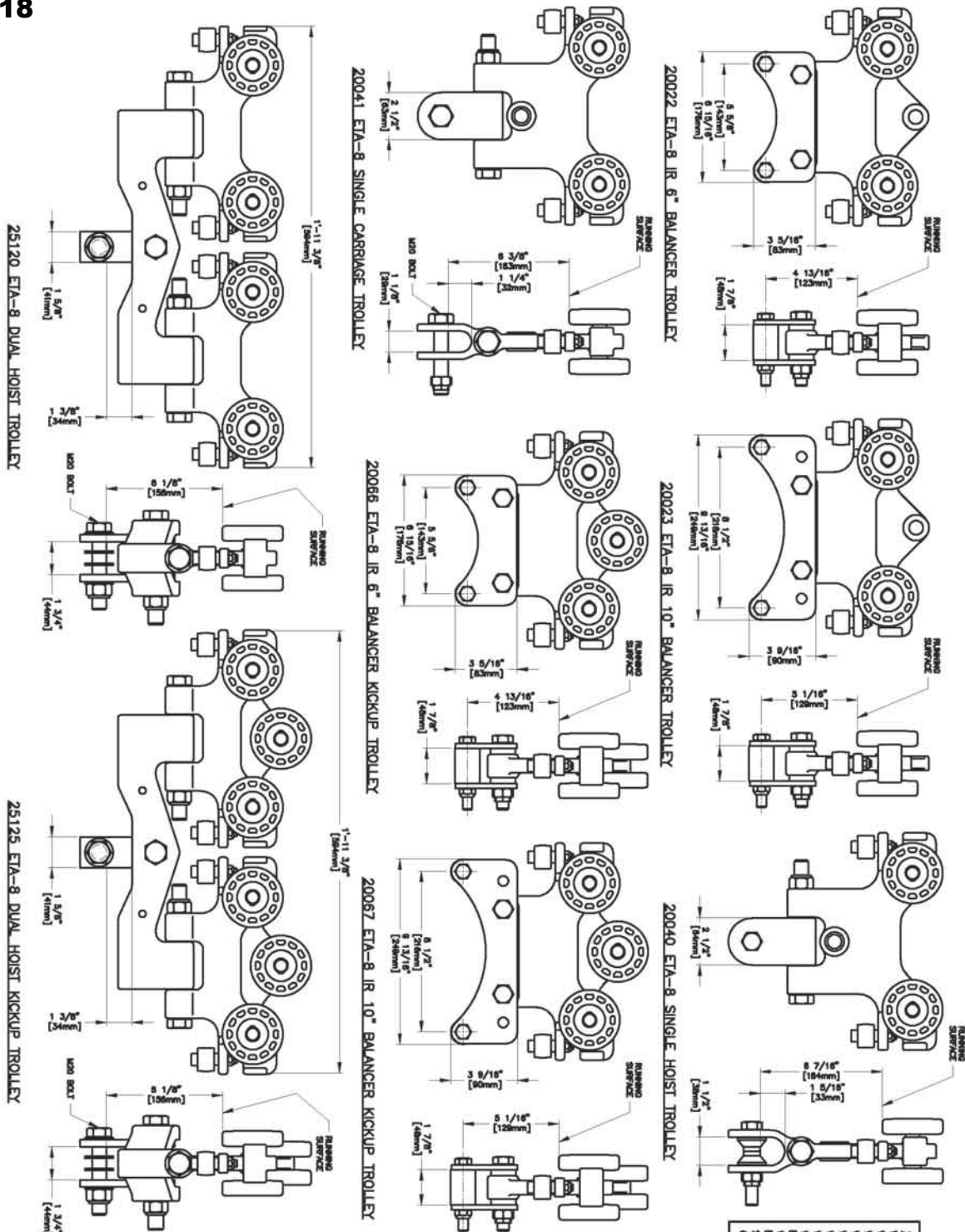
Part Number

- **20022** ETA-8 IR 6" Balancer Trolley with 1100 lb (500kg) Rated Load
- **20023** ETA-8 IR 10" Balancer Trolley with 1100 lb (500kg) Rated Load
- **20040** ETA-8 Single Hoist Trolley with 1100 lb (500kg) Rated Load
- **20041** ETA-8 Single Carriage Trolley with 1100 lb (500kg) Rated Load
- **20066** ETA-8 IR 6" Balancer Kickup Trolley with 1100 lb (500kg) Rated Load
- **20067** ETA-8 IR 10" Balancer Kickup Trolley with 1100 lb (500kg) Rated Load
- **25120** ETA-8 Dual Hoist Trolley with 2200 lb (1000kg) Rated Load
- **25125** ETA-8 Dual Hoist Kickup Trolley with 2200 lb (1000kg) Rated Load

Features

- High tensile almag alloy frame
- 3.2" (82mm) glass filled nylon wheels, with permanently sealed precision ball bearings
- High impact nylon guide rollers with dual race ball bearings for smooth, quiet operation
- Operates within enclosed rail free from obstructing material
- Dielectrically insulated
- Low inertia: less than 1% of load
- Operating temperature range: +32 degrees to +212 degrees F (0 degrees to +100 degrees C)

Note: If your application requires kick-up forces through a curved section, please consult the factory.



SPECIFICATIONS	20022	20023	20040	20041	20068	20067	25120	25125
WEIGHT OF	11.98 lbs. [3.24 Kg.]	12.83 lbs. [3.73 Kg.]	8.83 lbs. [4.01 Kg.]	8.82 lbs. [3.81 Kg.]	12.49 lbs. [5.66 Kg.]	18.89 lbs. [8.56 Kg.]	21.84 lbs. [9.82 Kg.]	21.84 lbs. [9.82 Kg.]
WEIGHT OF	1100 lbs. [500 Kg.]	1100 lbs. [500 Kg.]	1100 lbs. [500 Kg.]	1100 lbs. [500 Kg.]	1100 lbs. [500 Kg.]	2200 lbs. [1000 Kg.]	2200 lbs. [1000 Kg.]	2200 lbs. [1000 Kg.]
WEIGHT OF	20041	20068	20067	25120	25125	20022	20023	20040
WEIGHT OF	12.49 lbs. [5.66 Kg.]	18.89 lbs. [8.56 Kg.]	21.84 lbs. [9.82 Kg.]	21.84 lbs. [9.82 Kg.]	21.84 lbs. [9.82 Kg.]	11.98 lbs. [3.24 Kg.]	12.83 lbs. [3.73 Kg.]	8.83 lbs. [4.01 Kg.]
WEIGHT OF	1100 lbs. [500 Kg.]	1100 lbs. [500 Kg.]	1100 lbs. [500 Kg.]	1100 lbs. [500 Kg.]	1100 lbs. [500 Kg.]	1100 lbs. [500 Kg.]	1100 lbs. [500 Kg.]	1100 lbs. [500 Kg.]
WEIGHT OF	20068	20067	25120	25125	20022	20023	20040	20041
WEIGHT OF	12.49 lbs. [5.66 Kg.]	18.89 lbs. [8.56 Kg.]	21.84 lbs. [9.82 Kg.]	21.84 lbs. [9.82 Kg.]	11.98 lbs. [3.24 Kg.]	12.83 lbs. [3.73 Kg.]	8.83 lbs. [4.01 Kg.]	8.82 lbs. [3.81 Kg.]
WEIGHT OF	1100 lbs. [500 Kg.]	1100 lbs. [500 Kg.]	1100 lbs. [500 Kg.]	1100 lbs. [500 Kg.]	1100 lbs. [500 Kg.]	1100 lbs. [500 Kg.]	1100 lbs. [500 Kg.]	1100 lbs. [500 Kg.]
WEIGHT OF	20068	20067	25120	25125	20022	20023	20040	20041
WEIGHT OF	12.49 lbs. [5.66 Kg.]	18.89 lbs. [8.56 Kg.]	21.84 lbs. [9.82 Kg.]	21.84 lbs. [9.82 Kg.]	11.98 lbs. [3.24 Kg.]	12.83 lbs. [3.73 Kg.]	8.83 lbs. [4.01 Kg.]	8.82 lbs. [3.81 Kg.]
WEIGHT OF	1100 lbs. [500 Kg.]	1100 lbs. [500 Kg.]	1100 lbs. [500 Kg.]	1100 lbs. [500 Kg.]	1100 lbs. [500 Kg.]	1100 lbs. [500 Kg.]	1100 lbs. [500 Kg.]	1100 lbs. [500 Kg.]

BODY : HIGH TENSILE ALUMINUM
 BEARINGS : BALL BEARING/ALTERNATELY GLASS REINFORCED NYLON
 STUDS : .75 DIA. [19mm]
 GUIDE ROLLERS : 1.25 DIA. [32mm] HIGH IMPACT NYLON



UNIFIED ETA-8 FESTOON TROLLEY



20090



20091



20092



20093



20096



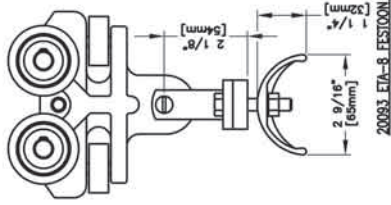
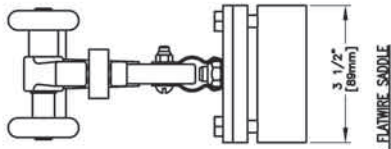
20097

Part Number

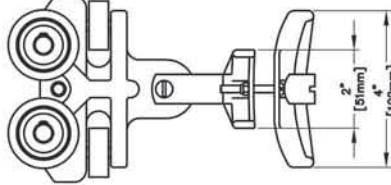
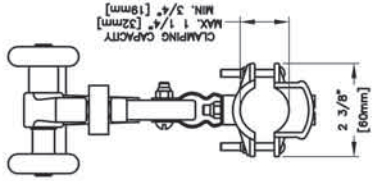
- **20090** ETA-8 Festoon Trolley with 100 lb (45kg) Rated Load
- **20091** ETA-8 Festoon Trolley and Small Saddle with 100 lb (45kg) Rated Load
- **20092** ETA-8 Festoon Trolley and Large Saddle with 100 lb (45kg) Rated Load
- **20093** ETA-8 Festoon Trolley and Flatwire Saddle with 100 lb (45kg) Rated Load
- **20096** ETA-8 Festoon Trolley and U/I Saddle with 100 lb (45kg) Rated Load
- **20097** ETA-8 Festoon Trolley with 12" Saddle 100 lb (45kg) Rated Load

Features

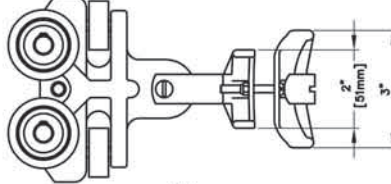
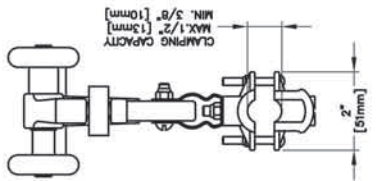
- High tensile almag alloy frame
- 1.8" (46mm) Nylon glass reinforced wheels, with permanently sealed precision ball bearings
- High-impact nylon guide rollers with smooth, quiet operation
- Operates within enclosed rail free from obstructing material
- Dielectrically insulated
- Low inertia: less than 1% of load
- Operating temperature range: +32 degrees to +212 degrees F (0 degrees to 100 degrees C)



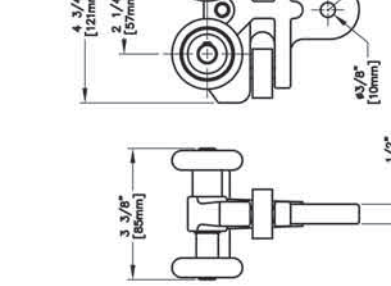
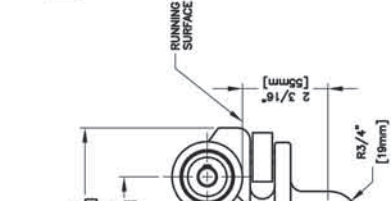
20093 ETA-8 FESTOON TROLLEY WITH FLATWIRE SADDLE



20092 ETA-8 FESTOON TROLLEY WITH LARGE SADDLE



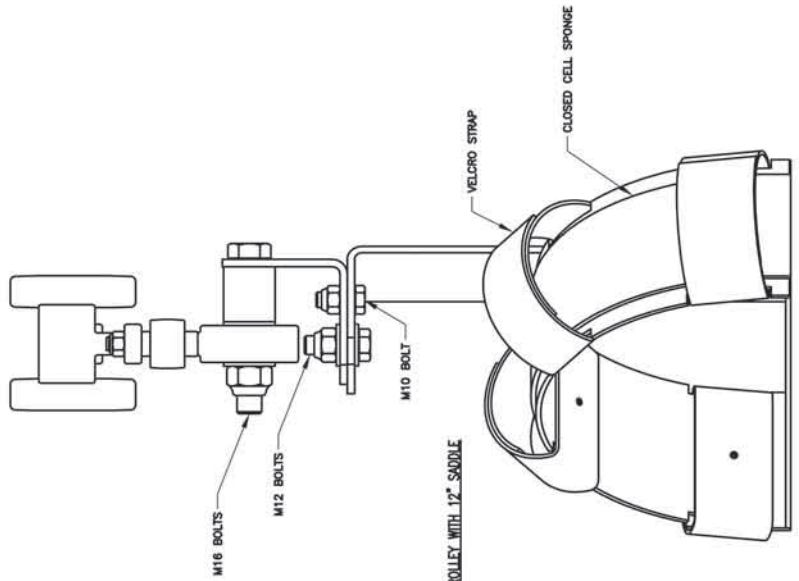
20091 ETA-8 FESTOON TROLLEY WITH SMALL SADDLE



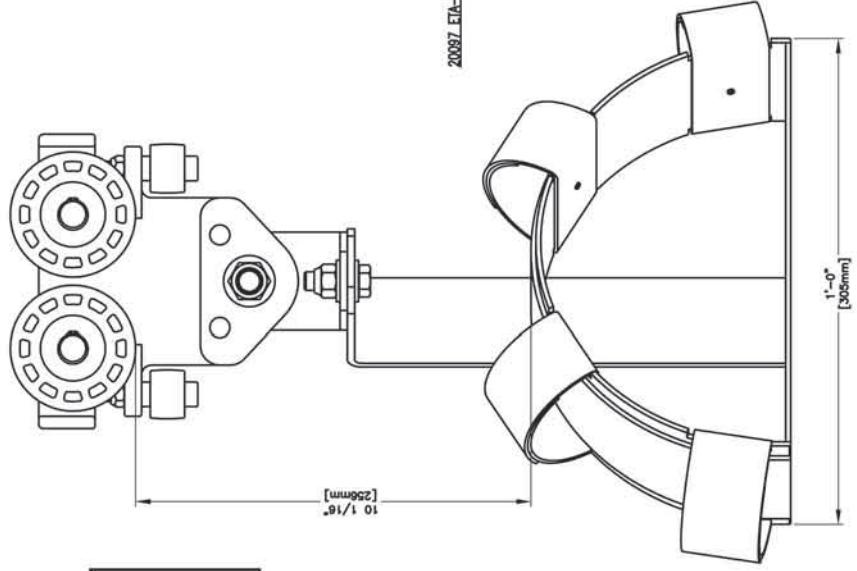
20090 ETA-8 FESTOON TROLLEY

SPECIFICATIONS:
 WHEELS: 1.812 DIA. [46mm] HIGH IMPACT NYLON
 BODY : ALMAG 35
 BEARINGS : BALL TYPE PERMANENTLY LUBRICATED
 STUDS : .50 DIA. [13mm]
 GUIDE ROLLERS : .94 DIA. [24mm] HIGH IMPACT NYLON
 OPERATING TEMP. AT 100% LOAD : -10°F TO +110°F
 ROLLING FRICTION : .5% TO 1% OF LOAD
 MAX. LOAD PER WHEEL : 25 lbs. [11.2 kgs]

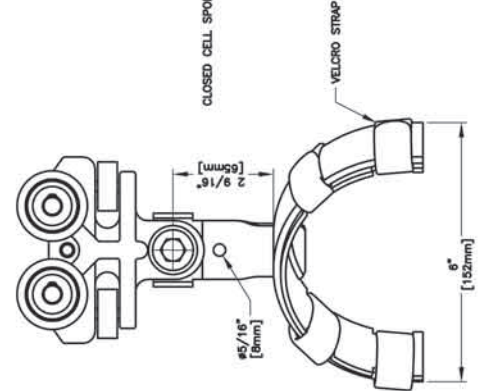
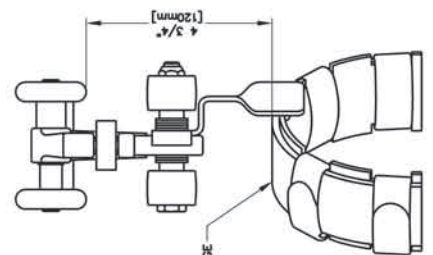
TROLLEY	WEIGHT
20090:	1.55 lbs. [70 kg.]
20091:	1.74 lbs. [79 kg.]
20092:	1.76 lbs. [80 kg.]
20093:	2.17 lbs. [98 kg.]
20096:	3.21 lbs. [1.46 kg.]
20097:	12.61 lbs. [5.72 kg.]



20097 ETA-8 FESTOON TROLLEY WITH 12" SADDLE



20096 ETA-8 FESTOON TROLLEY WITH 12" SADDLE



20096 ETA-8 FESTOON TROLLEY WITH UI SADDLE



UNIFIED ETA-8 FESTOON TROLLEY



20094



20095



78270



78184



78190



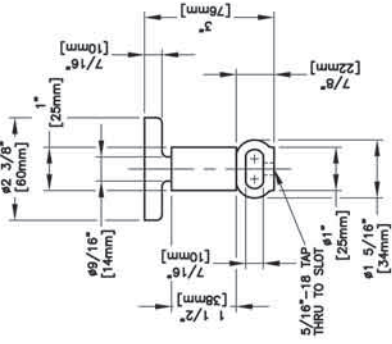
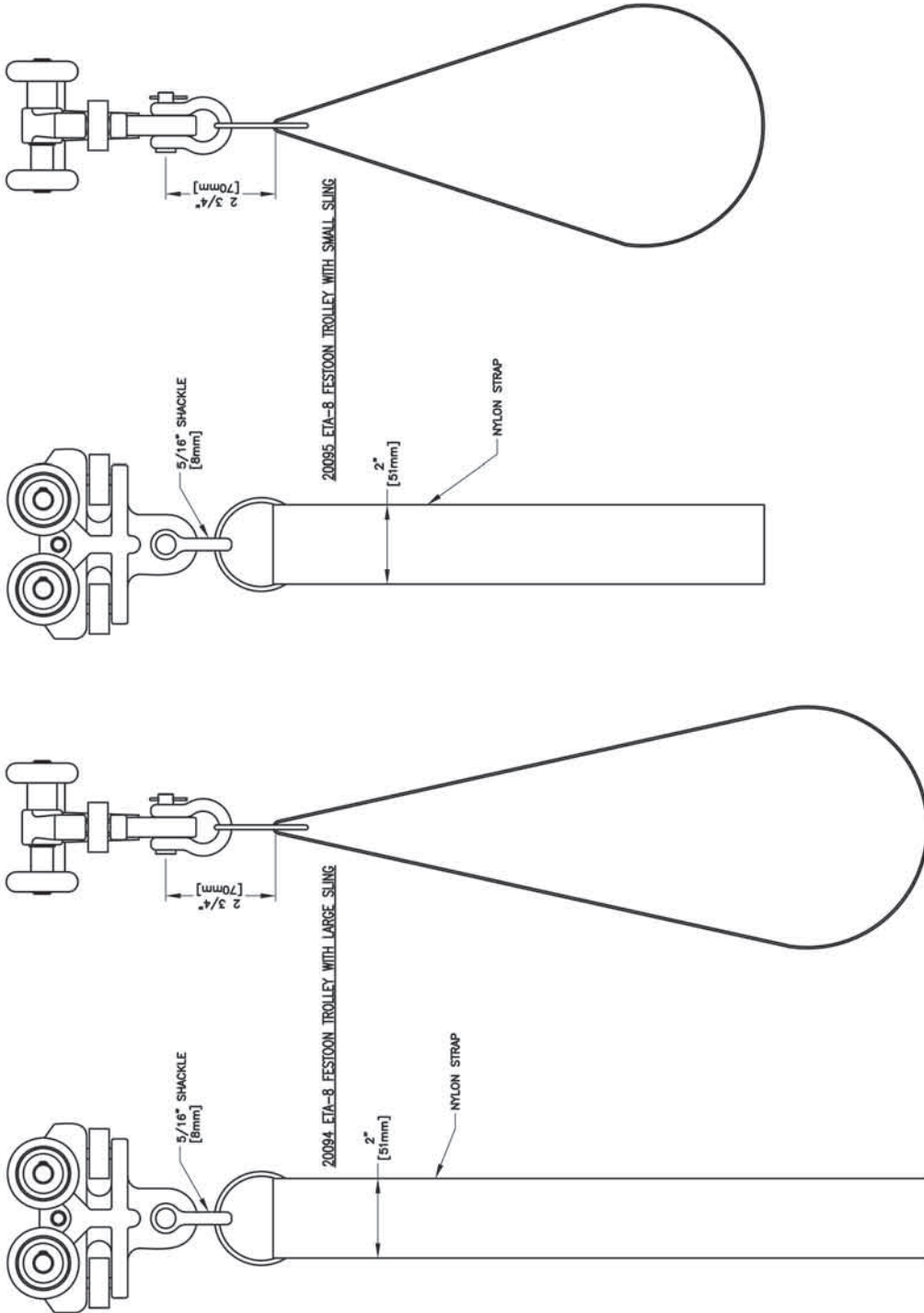
78170

Part Number

- **20094*** ETA-8 Festoon Trolley and 24" Large Sling with 100 lb (45kg) Rated Load
- **20095*** ETA-8 Festoon Trolley and 12" Small Sling with 100 lb (45kg) Rated Load
- **78270** ETA-8 Festoon Slider
- **78184** Cable Trolley with Small Saddle
- **78190** Cable Trolley with Large Saddle
- **78170** Cable Trolley with Flatwire Saddle

Features*

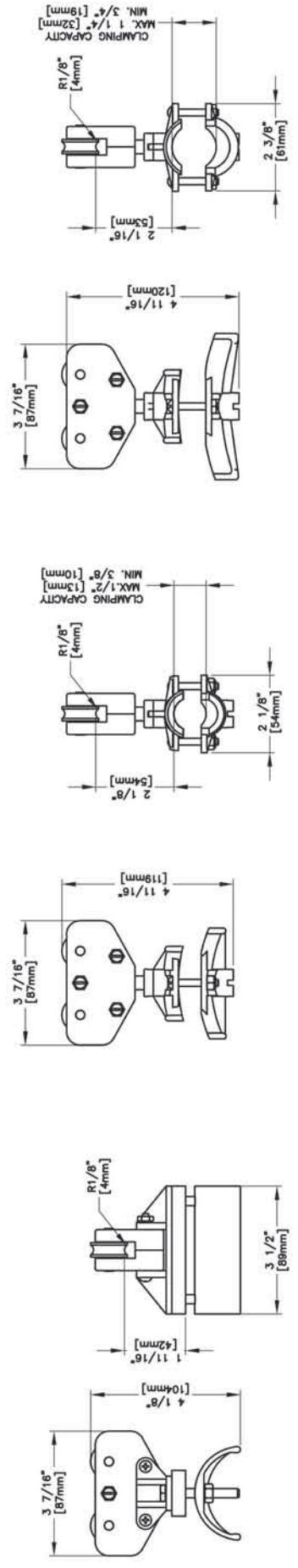
- High tensile almag alloy frame
- 1.8" (46mm) Nylon glass reinforced wheels, with permanently sealed precision ball bearings
- High-impact nylon guide rollers with smooth, quiet operation
- Operates within enclosed rail free from obstructing material
- Dielectrically insulated
- Low inertia: less than 1% of load
- Operating temperature range: +32 degrees to +212 degrees F (0 degrees to 100 degrees C)



78270 ETA-8 FESTOON SLIDER
FOR AIR HOSE OR ELECTRIC FESTOON

FESTOON TROLLEY SPECIFICATIONS:
 WHEELS: 1.812 DIA. (46mm DIA.) HIGH IMPACT NYLON
 BODY: ALUMINUM 305
 BEARINGS: BALL TYPE PERMANENTLY LUBRICATED
 STUDS: 3/32 DIA. (1.5mm DIA.)
 CLAMPING CAPACITY: 25 LBS. (11.2 Kg) (25mm DIA.) HIGH IMPACT NYLON
 OPERATING TEMP.: -107 TO +110°F [-25°C TO +43°C]
 ROLLING FRICTION: .5% TO 1% OF LOAD
 MAX. LOAD PER WHEEL: 25 lbs. (11.2 kg.)

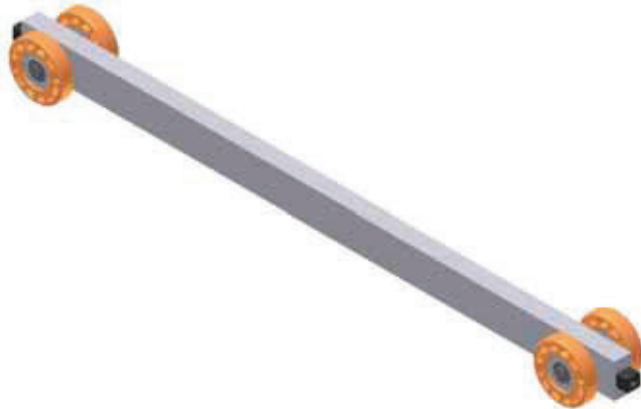
TROLLEY	WEIGHT
20094:	2.05 lbs. [.93 Kg.]
20095:	1.88 lbs. [.85 Kg.]
78270:	.10 lbs. [.05 Kg.]
78170:	.46 lbs. [.21 Kg.]
78184:	.37 lbs. [.17 Kg.]
78190:	.41 lbs. [.19 Kg.]



78190. CABLE TROLLEY WITH LARGE SADDLE

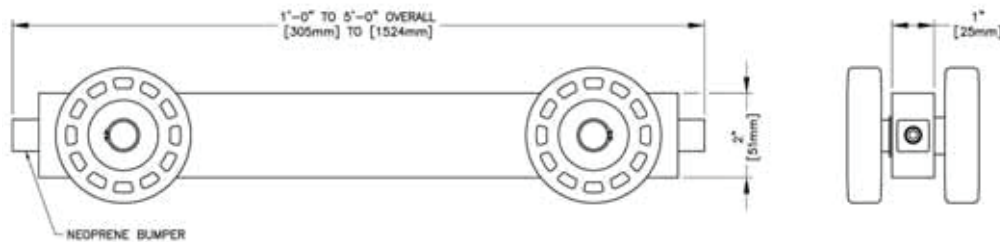
78184. CABLE TROLLEY WITH SMALL SADDLE

78170. CABLE TROLLEY WITH FLATWIRE SADDLE



ETA-8 BUMPER TROLLEY

SPECIFICATIONS:
 BODY : 6061 ALUMINUM
 STUDS : .75 DIA. [19mm] DIA.
 WEIGHT OF 20080: 4.38 lbs. [1.99 Kg.]
 WEIGHT OF 20081: 6.73 lbs. [3.05 Kg.]
 WEIGHT OF 20082: 9.08 lbs. [4.12 Kg.]
 WEIGHT OF 20083: 11.43 lbs. [5.18 Kg.]
 WEIGHT OF 20084: 13.78 lbs. [6.25 Kg.]



Part Number

- **20080** 1'-0" (305mm) Bumper trolley to operate on Unified ETA-8
- **20081** 2'-0" (610mm) Bumper trolley to operate on Unified ETA-8
- **20082** 3'-0" (914mm) Bumper trolley to operate on Unified ETA-8
- **20083** 4'-0" (1219mm) Bumper trolley to operate on Unified ETA-8
- **20084** 5'-0" (1524mm) Bumper trolley to operate on Unified ETA-8

Features

- Aluminum trolley body
- 3.2" (82mm) glass filled nylon wheels, with permanently sealed precision ball bearings
- Operates within enclosed rail free from obstructing material
- Dielectrically insulated
- Operating temperature range: +32 degrees to +212 degrees F (0 degrees to 100 degrees C)

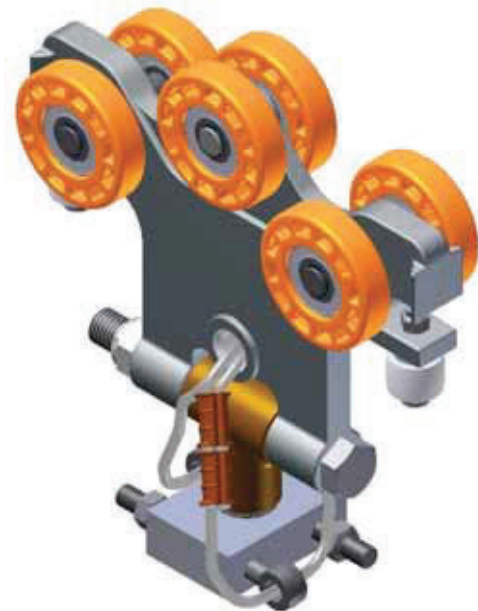
22041 SINGLE END TRUCK (WITHOUT KICKUP WHEELS)

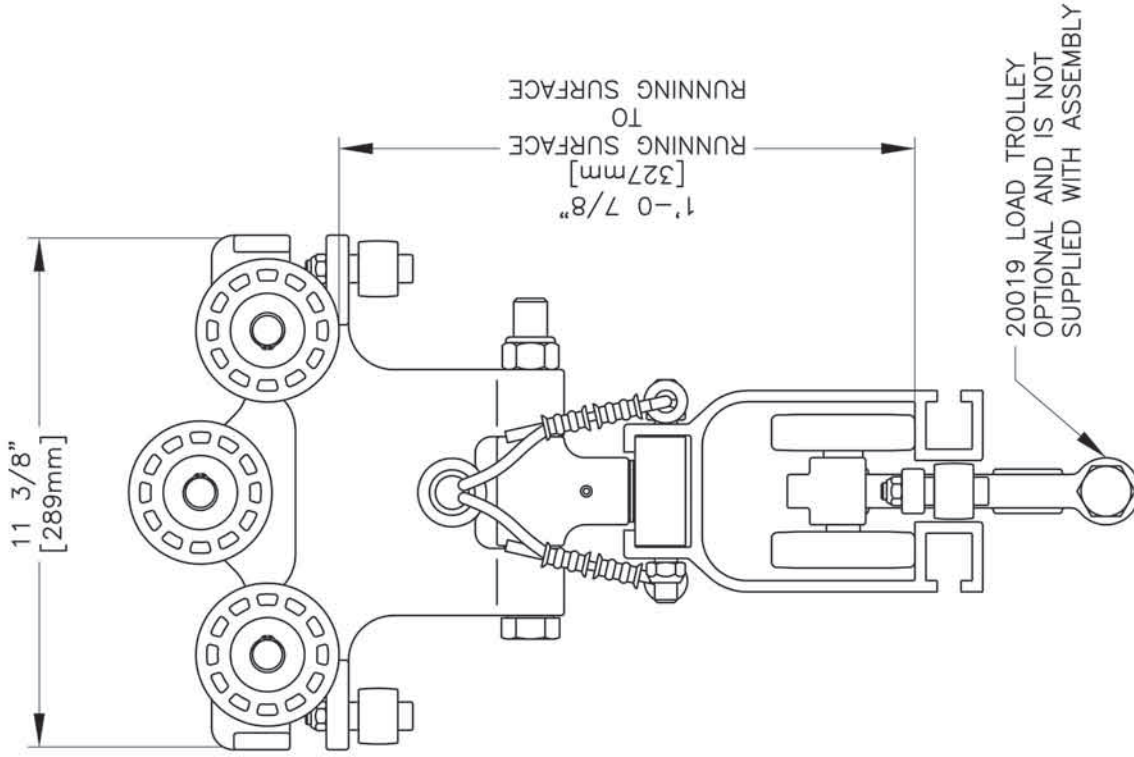
- End truck assembly for single girder bridge cranes.
- To operate on ETA-8 Bridge and Runway.
- Rated Load 1100 lbs. (500kg)



22046 SINGLE END TRUCK (WITH KICKUP WHEELS)

- End truck assembly for single girder bridge cranes.
- To operate on ETA-8 Bridge and Runway.
- Rated Load 1100 lbs. (500kg)



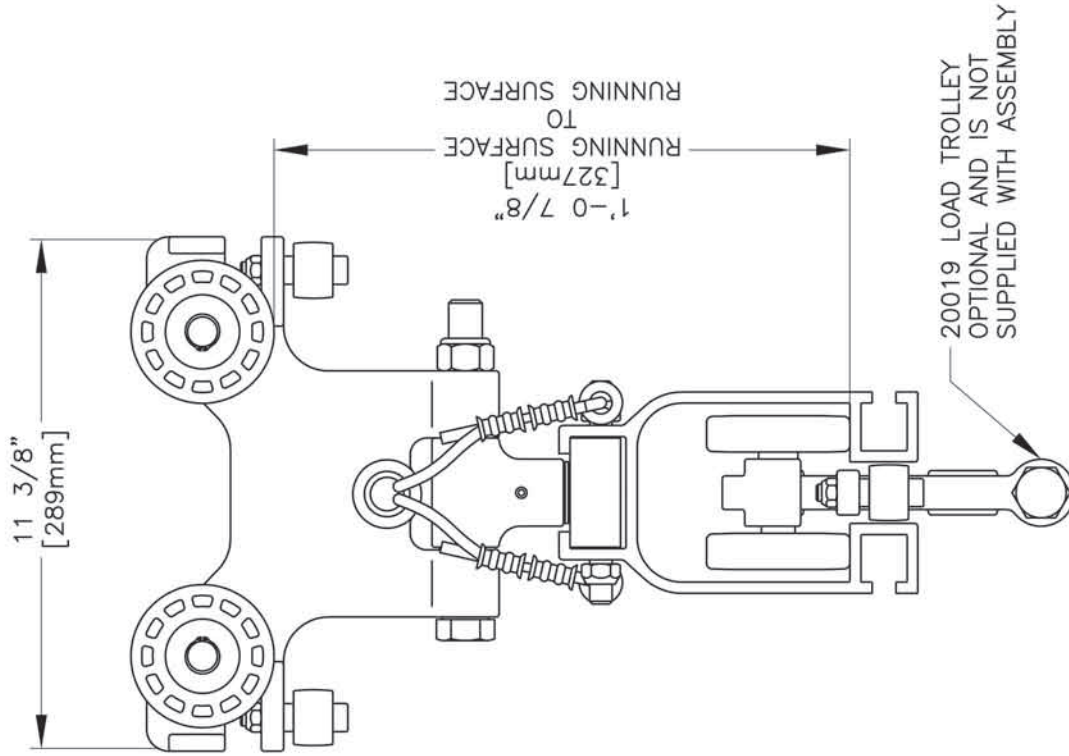


22046 ETA-8 SINGLE END TRUCK

WITH KICKUP

RATED LOADS OF 1100 LBS. [500 Kg.]

WEIGHT: 14 LBS. [6.35 Kg.]



22041 ETA-8 SINGLE END TRUCK

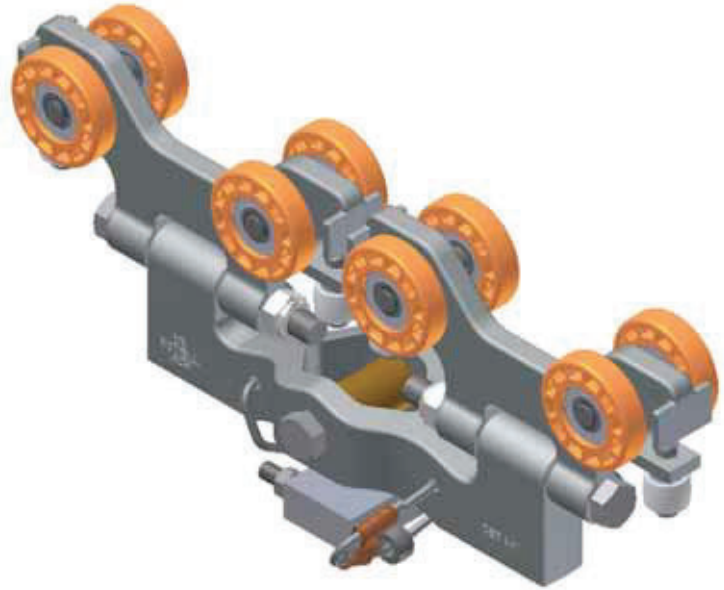
WITHOUT KICKUP

RATED LOADS OF 1100 LBS. [500 Kg.]

WEIGHT: 12 LBS. [5.44 Kg.]

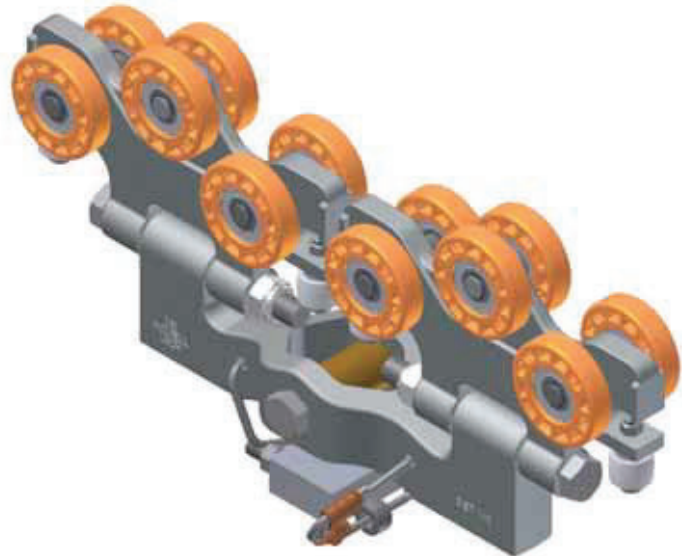
22051 ETA-8 DUAL END TRUCK (WITHOUT KICKUP WHEELS)

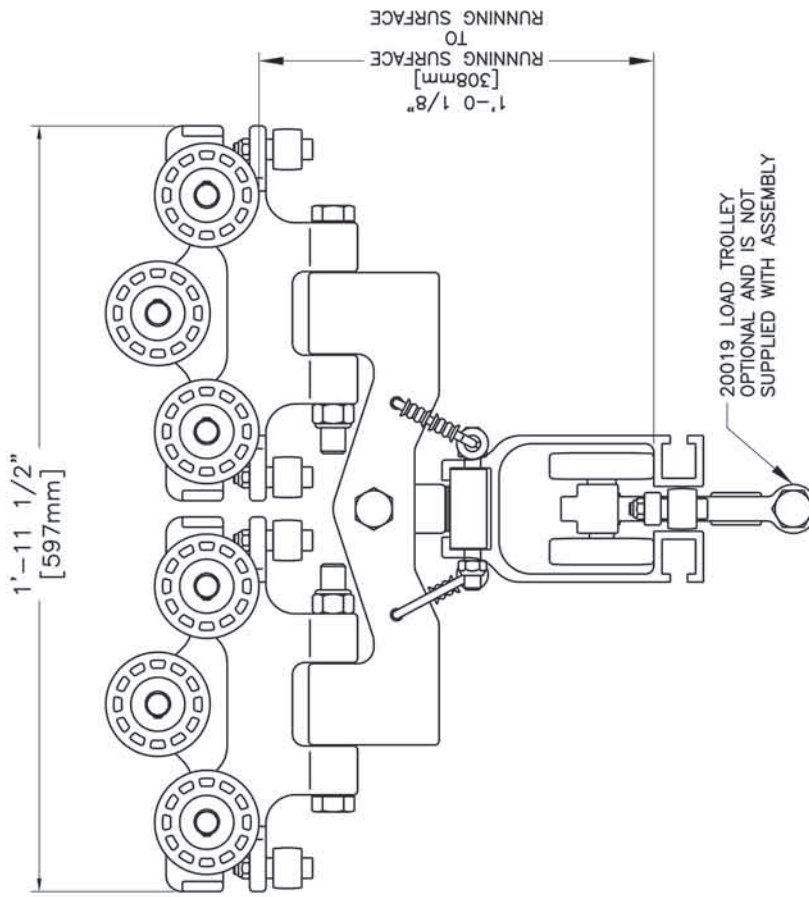
- End truck assembly for single girder bridge cranes.
- To operate on ETA-8.
- Rated Load 2200 lbs. (1000kg)



22131 ETA-8 DUAL END TRUCK (WITH KICKUP WHEELS)

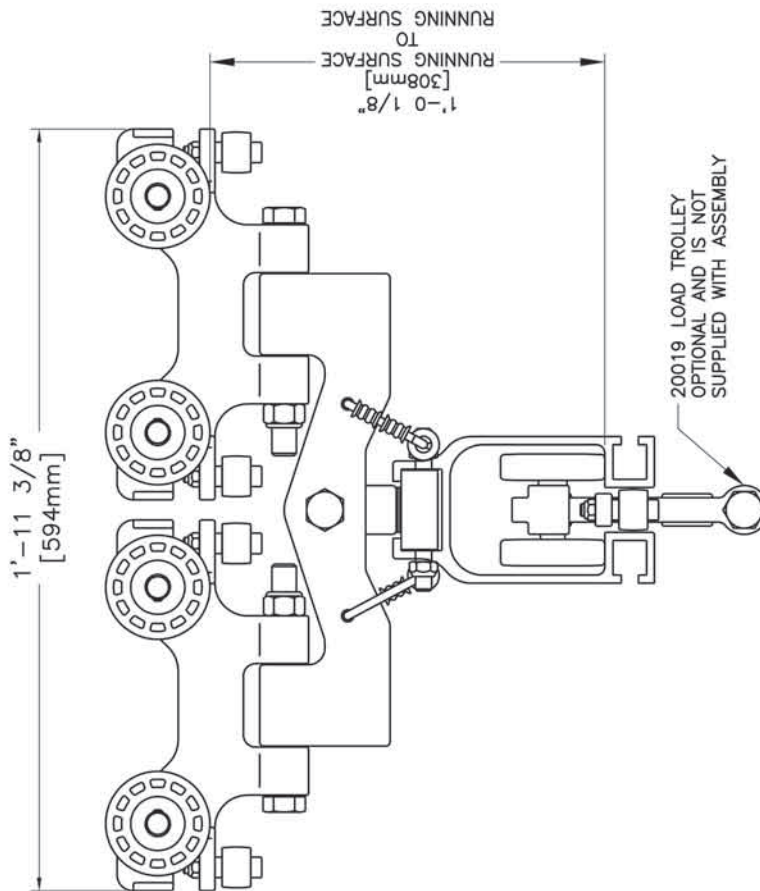
- End truck assembly with counter thrust wheels for single girder bridge cranes.
- To operate on ETA-8.
- Rated Load 2200 lbs. (1000kg)





22131 ETA-8 DUAL END TRUCK
WITH KICKUP

RATED LOADS OF 2200 LBS. [1000 Kg.]
WEIGHT: 27 LBS. [12.25 Kg.]

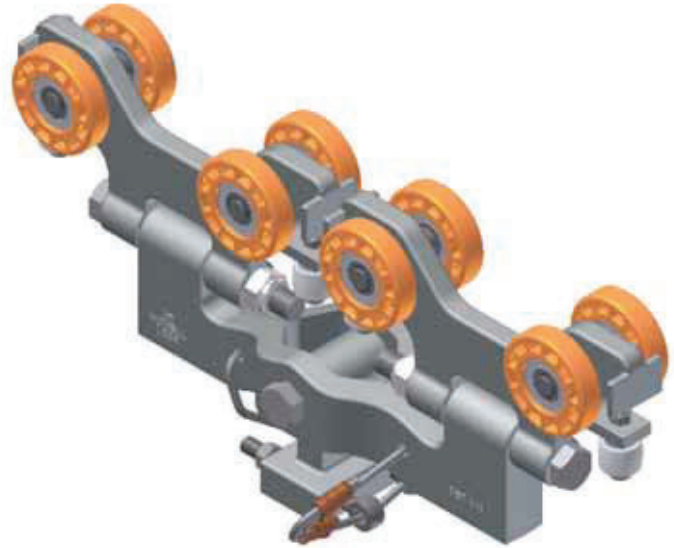


22051 ETA-8 DUAL END TRUCK
WITHOUT KICKUP

RATED LOADS OF 2200 LBS. [1000 Kg.]
WEIGHT: 24 LBS. [10.89 Kg.]

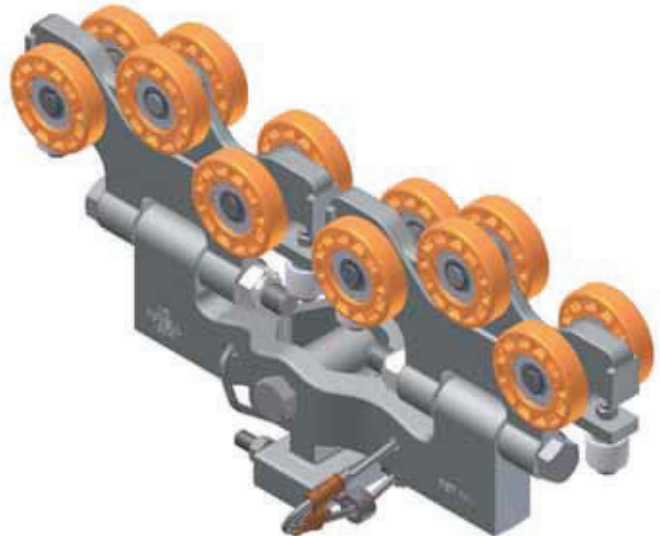
22052 RIGID DUAL END TRUCK (WITHOUT KICKUP WHEELS)

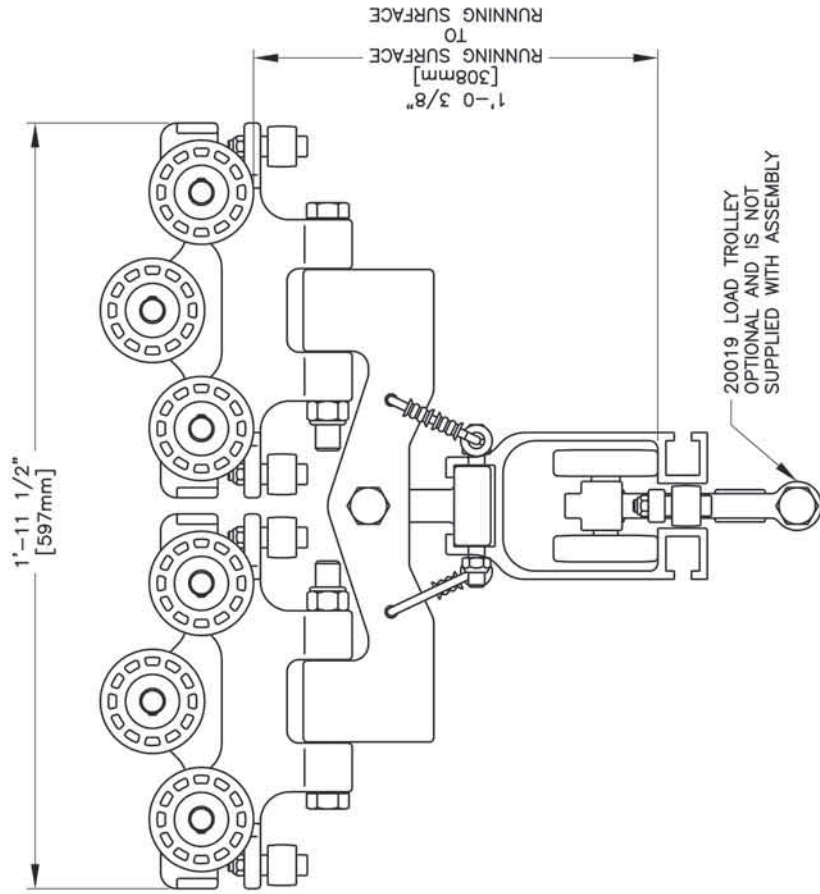
- End truck assembly for double girder bridge cranes.
- To operate on ETA-8.
- Rated Load 2200 lbs. (1000kg)



22068 RIGID DUAL END TRUCK (WITH KICKUP WHEELS)

- End truck assembly with counter thrust wheels for double girder bridge cranes.
- To operate on ETA-8.
- Rated Load 2200 lbs. (1000kg)



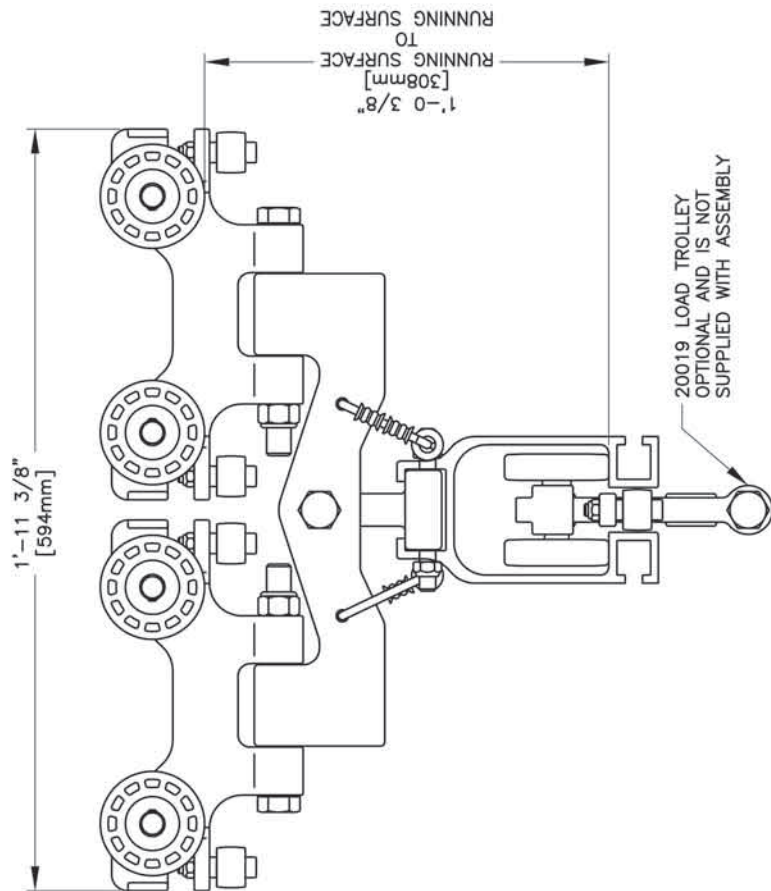


22068 ETA-8RIGID DUAL END TRUCK

WITH KICKUP

RATED LOADS OF 2200 LBS. [1000 Kg.]

WEIGHT: 25 LBS. [11.34 Kg.]

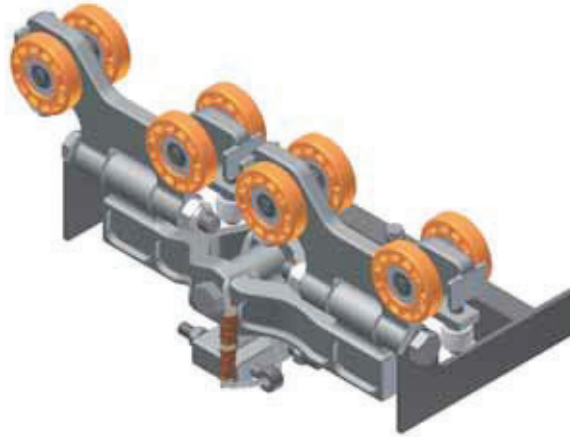


22052 ETA-8 RIGID DUAL END TRUCK

WITHOUT KICKUP

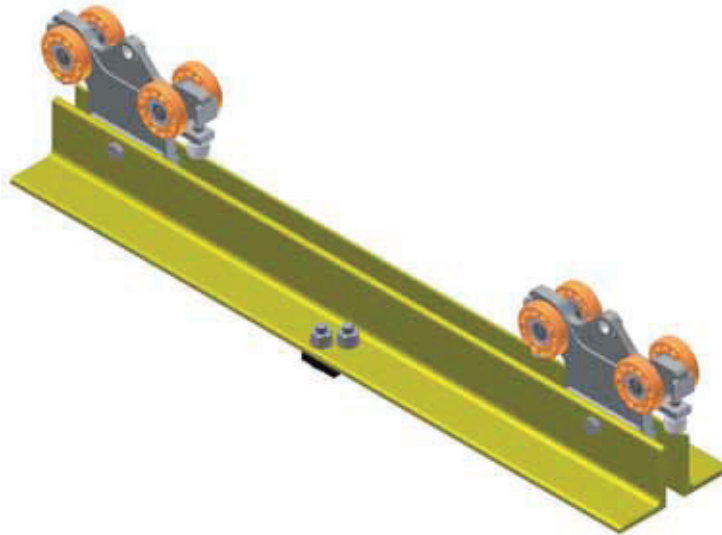
RATED LOADS OF 2200 LBS. [1000 Kg.]

WEIGHT: 22 LBS. [9.98 Kg.]



- **22055** Rigid Mount End Truck for Spans up to 18' (5.5m). Kickup version available, please consult factory
- Rated Load 2200 lbs. (1000kg)

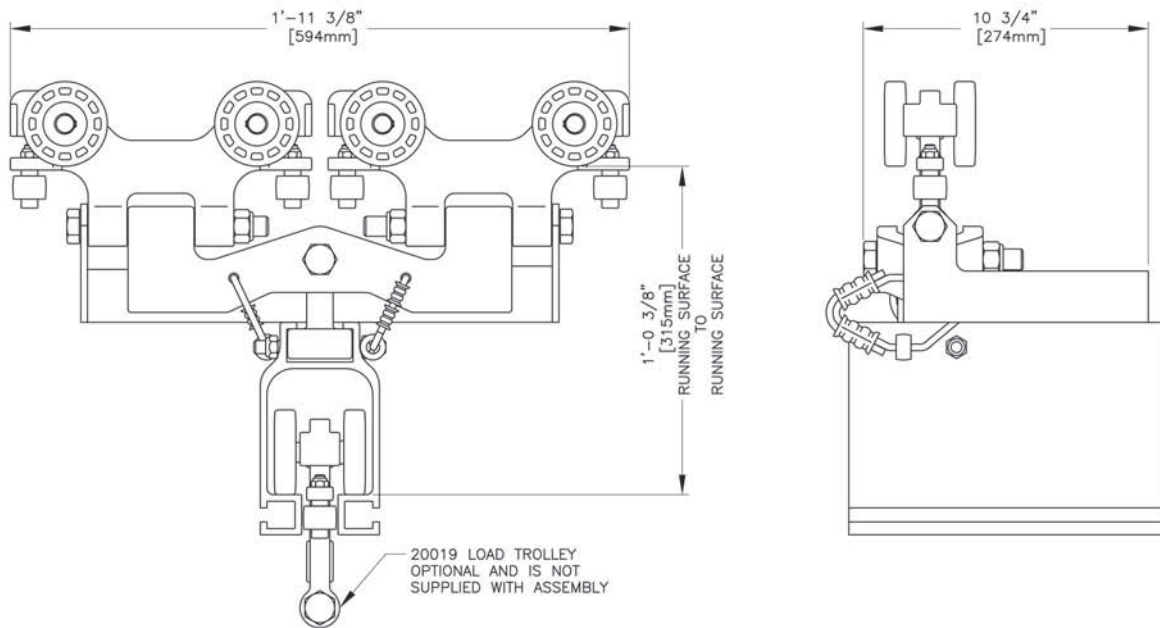
Weight
30 lbs. (13.6kg)



ETA-8 RIGID END TRUCKS WITHOUT KICKUP

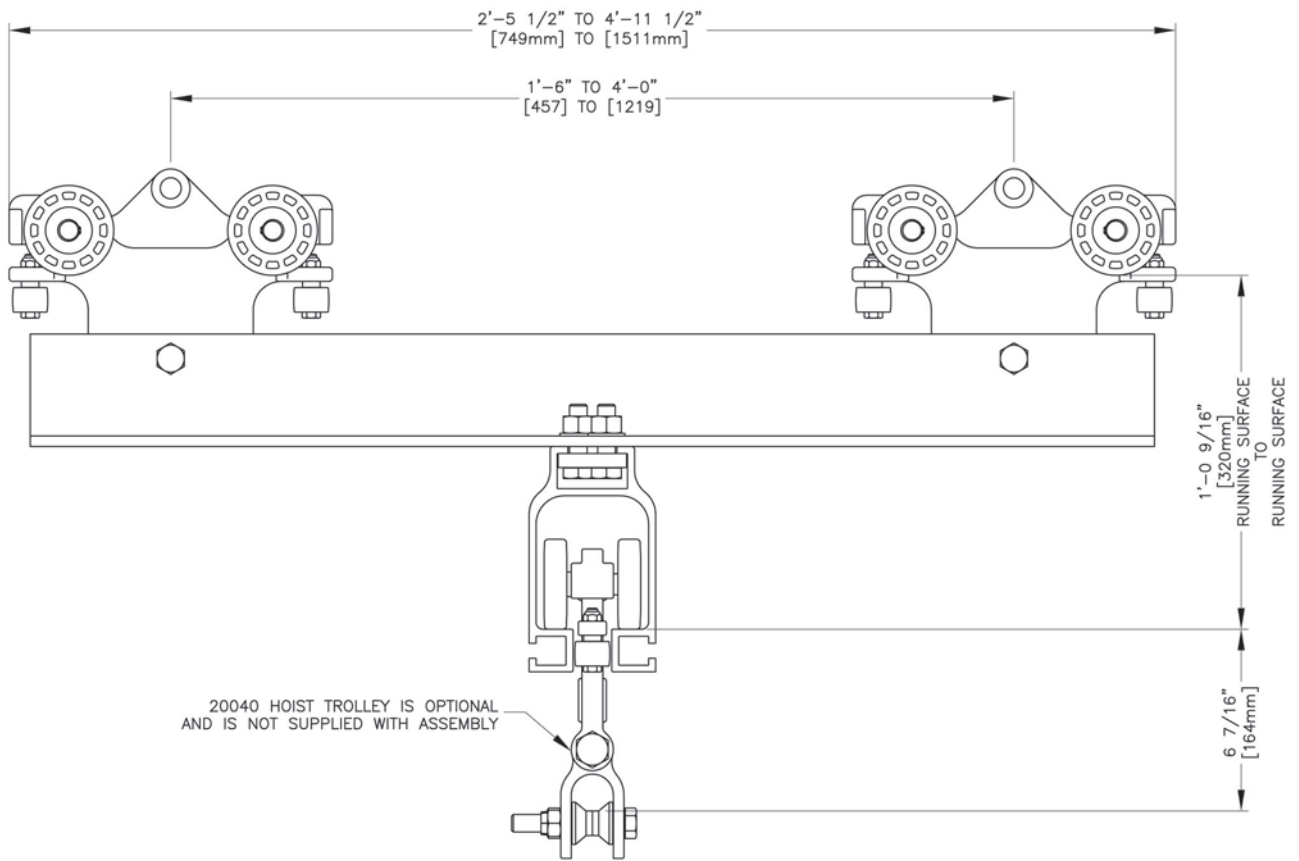
- End truck assemblies for single girder bridge cranes to run on ETA-8 Runway
- Attaches to ETA-4, ETA-5 and ETA-8 Bridges.

- | | Weight |
|--|-------------------|
| ■ 22221 1'-6" (457mm) wheelbase for spans 3'-0" (914mm) to 6'-0" (1829mm) | 61 lbs. (27.6kg) |
| ■ 22222 2'-0" (609mm) wheelbase for spans 7'-0" (2133mm) to 10'-0" (3048mm) | 70 lbs. (32kg) |
| ■ 22223 2'-6" (762mm) wheelbase for spans 11'-0" (3353mm) to 14'-0" (4267mm) | 79 lbs. (35.8kg) |
| ■ 22224 3'-0" (914mm) wheelbase for spans 15'-0" (4572mm) to 18'-0" (5486mm) | 88 lbs. (40kg) |
| ■ 22225 3'-6" (1066mm) wheelbase for spans 19'-0" (5791mm) to 21'-0" (6400mm) | 98 lbs. (44.5kg) |
| ■ 22226 4'-0" (1219mm) wheelbase for spans 22'-0" (6705mm) to 25'-0" (7620mm) | 107 lbs. (48.5kg) |
- Rated Load 2200 lbs. (1000kg)
 - No safety cable included

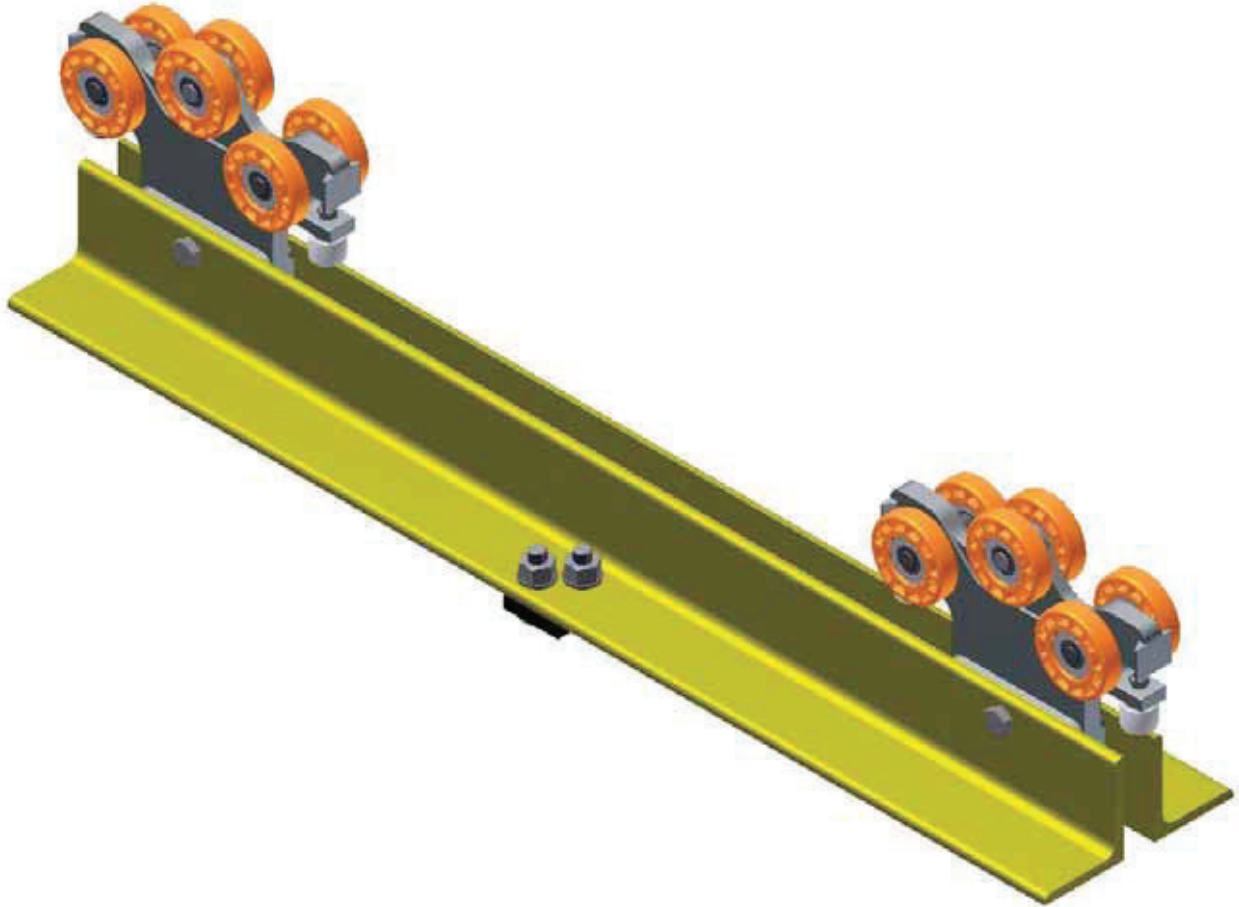


22055 ETA-8 DUAL RIGID MOUNT END TRUCK

WITHOUT KICKUP
 RATED LOADS OF 2200 LBS. [1000 Kg.]
 WEIGHT: 30 LBS. [13.6 Kg.]



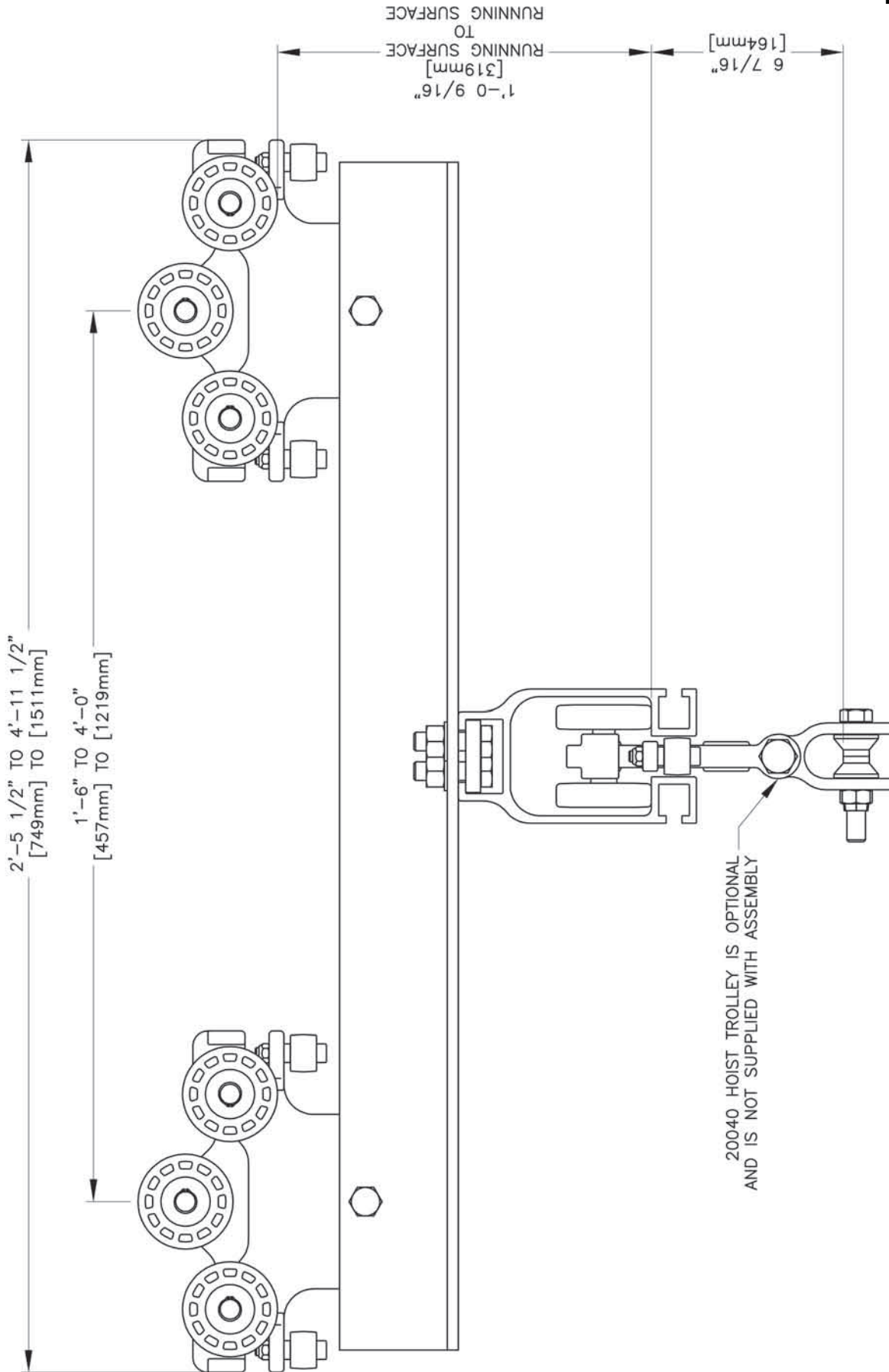
ETA-8 RIGID END TRUCKS WITHOUT KICKUP
 DUAL TROLLEY END TRUCK AT EACH
 END OF CRANE GIRDER.
 RATED LOAD: 2200 lbs. [1000 Kg.]
 NO SAFETY CABLE INCLUDED



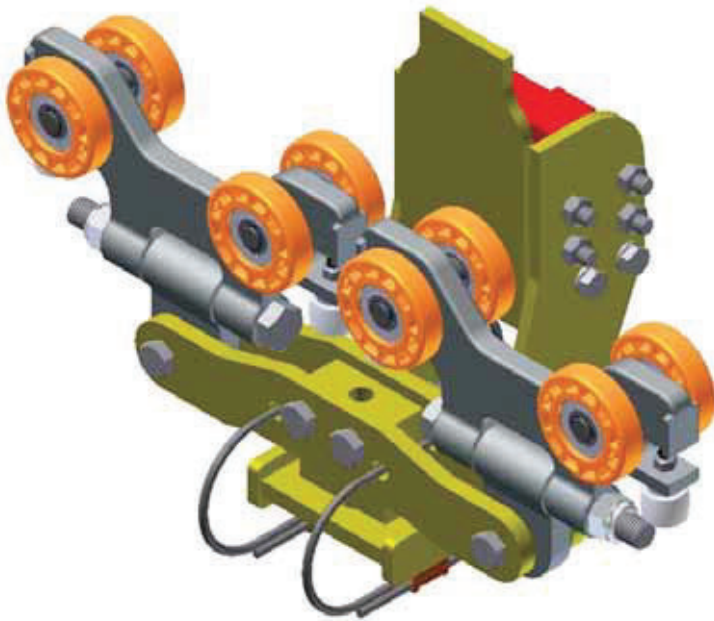
ETA-8 RIGID END TRUCKS WITH KICKUP

- End truck assemblies for single girder bridge cranes to run on ETA-8 Runway
- Attaches to ETA-4, ETA-5 and ETA-8 Bridges.

	Weight
■ 22227 1'-6" (457mm) wheelbase for spans 3'-0" (914mm) to 6'-0" (1829mm)	63 lbs. (28.5kg)
■ 22228 2'-0" (609mm) wheelbase for spans 7'-0" (2133mm) to 10'-0" (3048mm)	72 lbs. (32.6kg)
■ 22229 2'-6" (762mm) wheelbase for spans 11'-0" (3353mm) to 14'-0" (4267mm)	81 lbs. (36.7kg)
■ 22230 3'-0" (914mm) wheelbase for spans 15'-0" (4572mm) to 18'-0" (5486mm)	90 lbs. (40.8kg)
■ 22231 3'-6" (1066mm) wheelbase for spans 19'-0" (5791mm) to 21'-0" (6400mm)	99 lbs. (45kg)
■ 22232 4'-0" (1219mm) wheelbase for spans 22'-0" (6705mm) to 25'-0" (7620mm)	108 lbs. (49kg)
■ Rated Load 2200 lbs. (1000kg)	
■ No safety cable included	

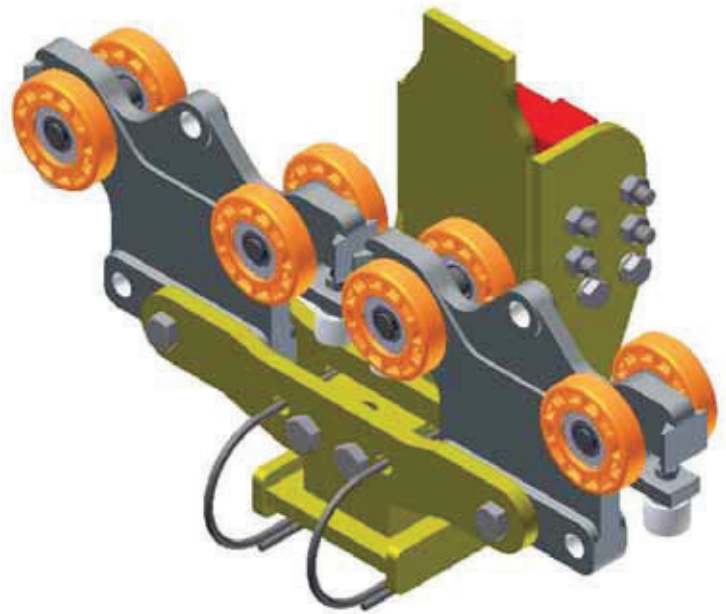


ETA-8 RIGID END TRUCKS WITH KICKUP
DUAL TROLLEY END TRUCK AT EACH
END OF CRANE GIRDER.
RATED LOAD: 2000 lbs. [907 Kg.]
NO SAFETY CABLE INCLUDED



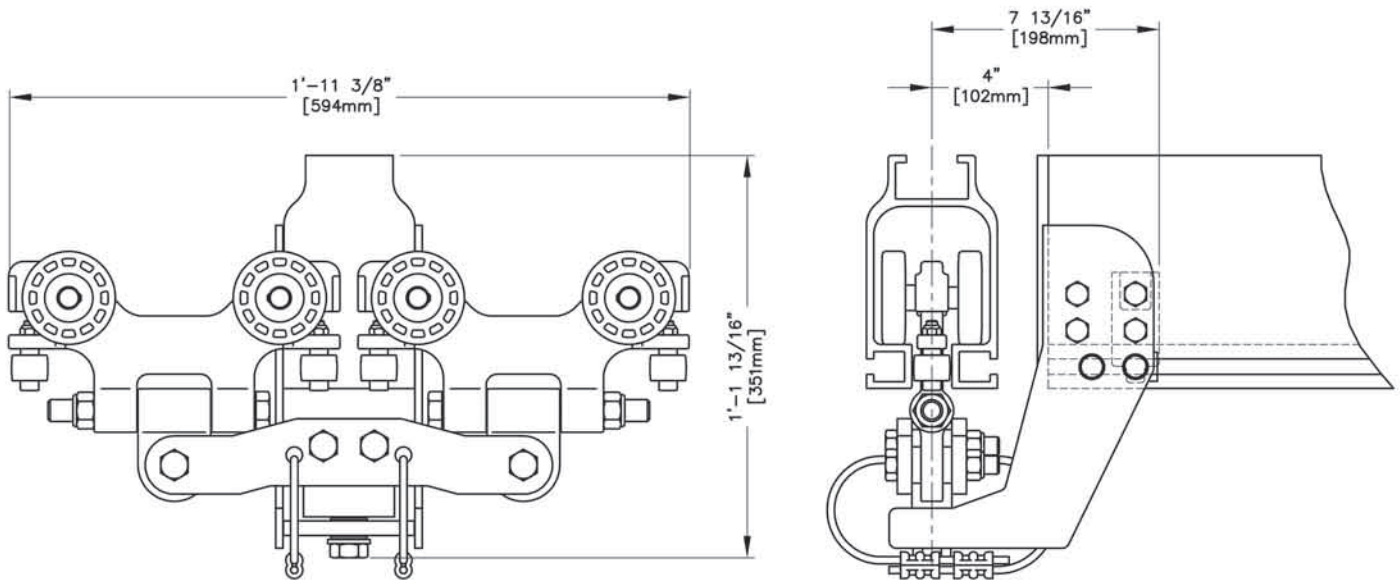
22620 ETA-8 Articulating Low Headroom End Truck

- To operate on ETA-8.
- Rated Load 2200 lbs. (1000kg)

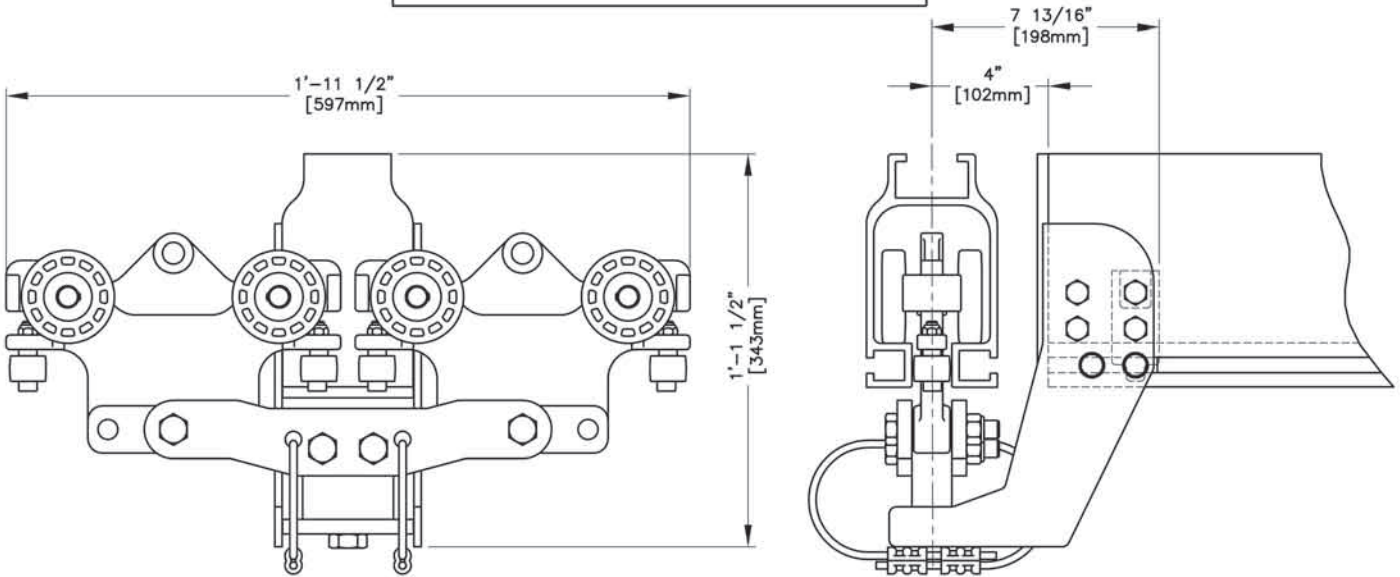


22625 ETA-8 Rigid Low Headroom End Truck

- To operate on ETA-8.
- Rated Load 2200 lbs. (1000kg)



22620 ETA-8 ARTICULATING LOW HEAD ROOM END TRUCK
 DUAL TROLLEY END TRUCK AT EACH END OF CRANE GIRDER.
 RATED LOAD: 2200 lbs. [1000 Kg.]
 WEIGHT: 45 lbs. [20.41 Kg.]



22625 ETA-8 RIGID LOW HEAD ROOM END TRUCK
 DUAL TROLLEY END TRUCK AT EACH END OF CRANE GIRDER.
 RATED LOAD: 2200 lbs. [1000 Kg.]
 WEIGHT: 45 lbs. [20.41 Kg.]

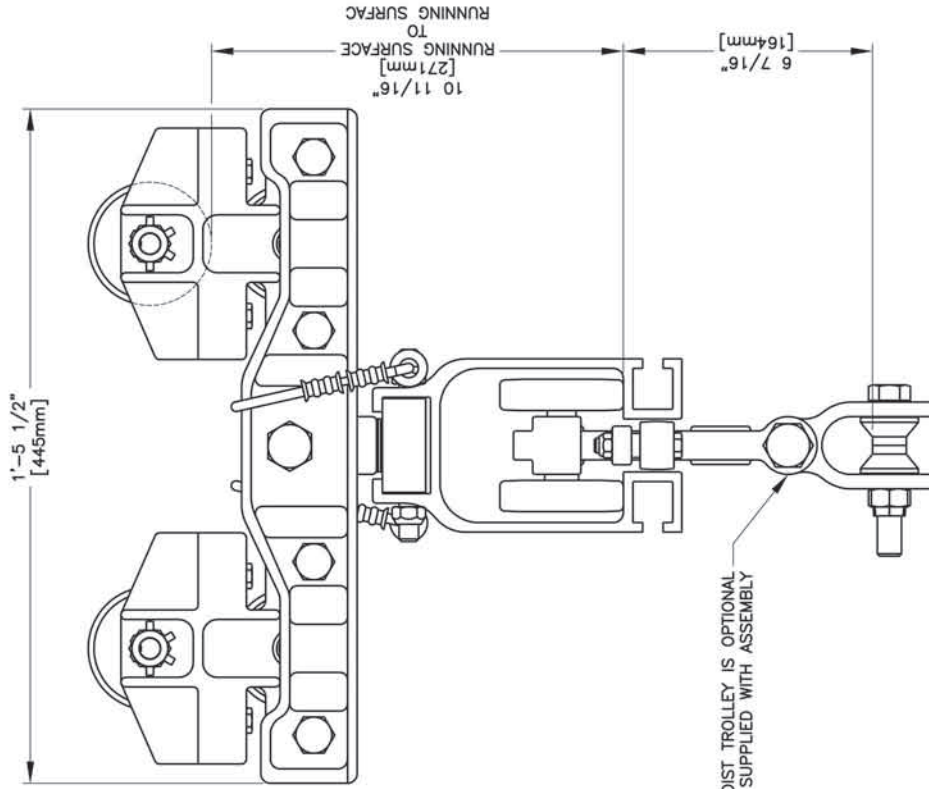


STANDARD RAIL END TRUCKS (WITHOUT KICKUP WHEELS)

- End truck assemblies for bridge cranes.
Rated Load 1100 lbs. (500kg)
 - **22199** MBC-500-3-325 End Truck to run on 3.25 Patent Track. Rated Load 1100 lbs. (500kg)
 - **22200** MBC-500-3-333 End Truck to run on S6x12.5. Rated Load 1100 lbs. (500kg)
 - **22201** MBC-500-3-4-266 End Truck to run on S4x7.7. Rated Load 1100 lbs. (500kg)
- Please consult factory for end trucks to ride on Metric Beams.

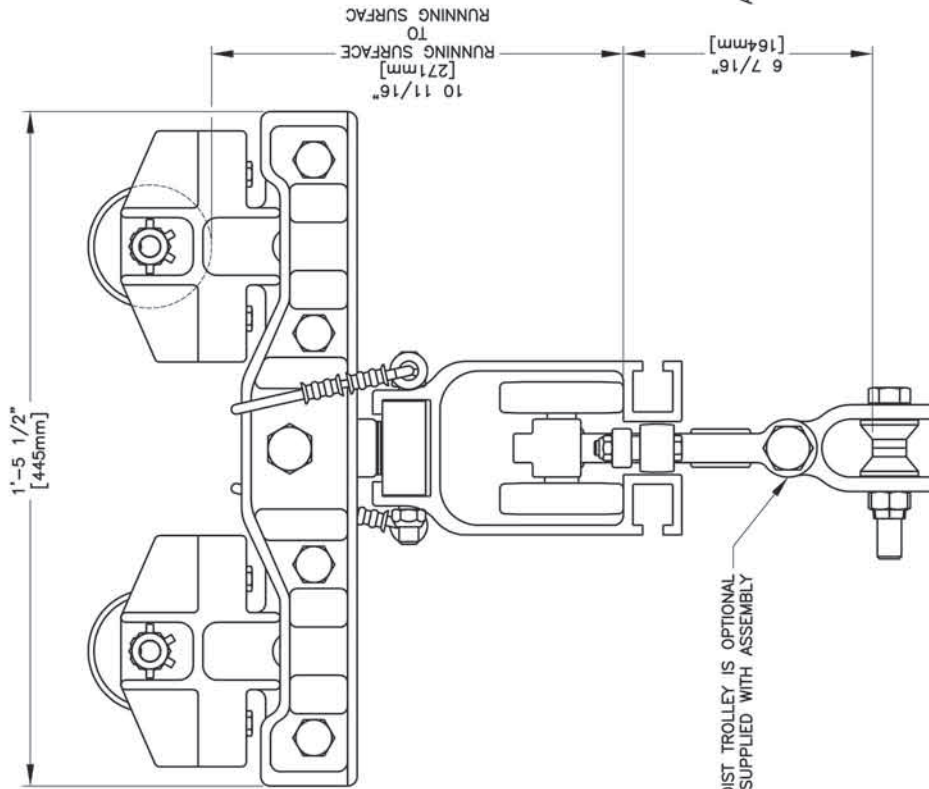
STANDARD RAIL END TRUCKS (WITH KICKUP WHEELS)

- End truck assemblies for bridge cranes.
Rated Load 1100 lbs. (500kg)
- **22208** MBC-500-3-325 End Truck to run on 3.25 Patent Track. Rated Load 1100 lbs. (500kg)
- **22210** MBC-500-3-333 End Truck to run on S6x12.5. Rated Load 1100 lbs. (500kg)
- **22212** MBC-500-3-4-266 End Truck to run on S4x7.7. Rated Load 1100 lbs. (500kg)



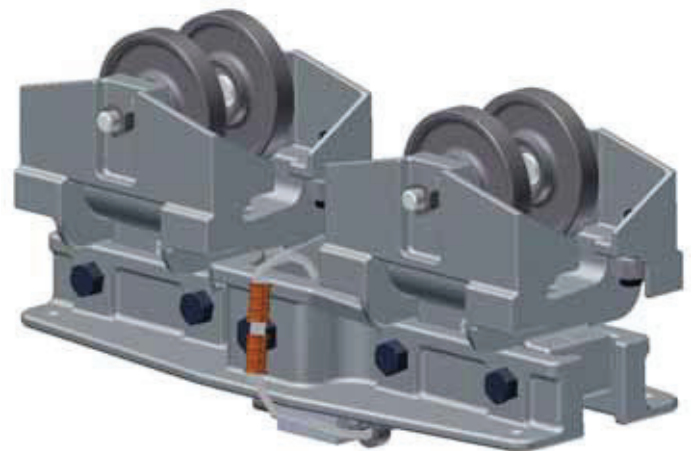
20040 HOIST TROLLEY IS OPTIONAL
AND IS NOT SUPPLIED WITH ASSEMBLY

STANDARD RAIL END TRUCKS (WITH KICKUP WHEELS)
 DUAL TROLLEY END TRUCK AT EACH END OF CRANE GIRDER.
 RATED LOAD: 1100 lbs. [500 Kg.]
 22208 MBC-500-3-325 END TRUCK TO RUN ON 3.25 PATENT TRACK.
 22210 MBC-500-3-333 END TRUCK TO RUN ON S6x12.5.
 22212 MBC-500-3-4-2.66 END TRUCK TO RUN ON S4x7.7.
 WEIGHT: 36 LBS. [16.33 Kg.]



20040 HOIST TROLLEY IS OPTIONAL
AND IS NOT SUPPLIED WITH ASSEMBLY

STANDARD RAIL END TRUCKS (WITHOUT KICKUP WHEELS)
 DUAL TROLLEY END TRUCK AT EACH END OF CRANE GIRDER.
 RATED LOAD: 1100 lbs. [500 Kg.]
 22198 MBC-500-3-325 END TRUCK TO RUN ON 3.25 PATENT TRACK.
 22200 MBC-500-3-333 END TRUCK TO RUN ON S6x12.5.
 22201 MBC-500-3-4-2.66 END TRUCK TO RUN ON S4x7.7.
 WEIGHT: 33 LBS. [14.96 Kg.]

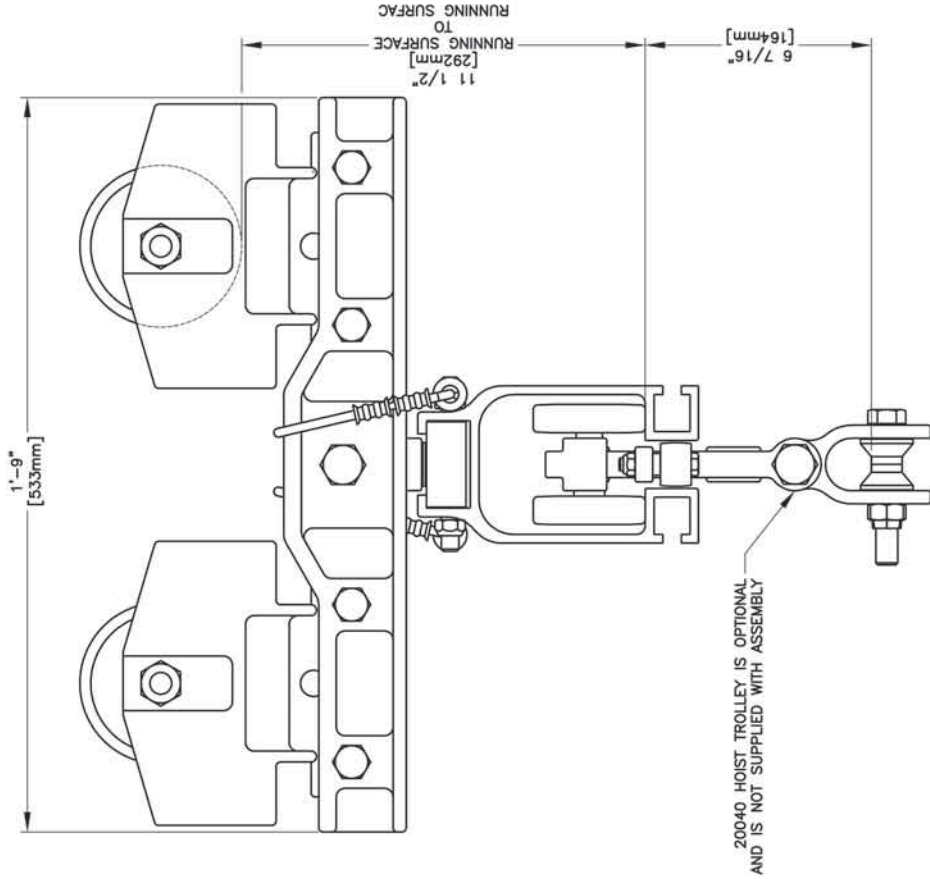


**STANDARD RAIL END TRUCKS
(WITHOUT KICKUP WHEELS)**

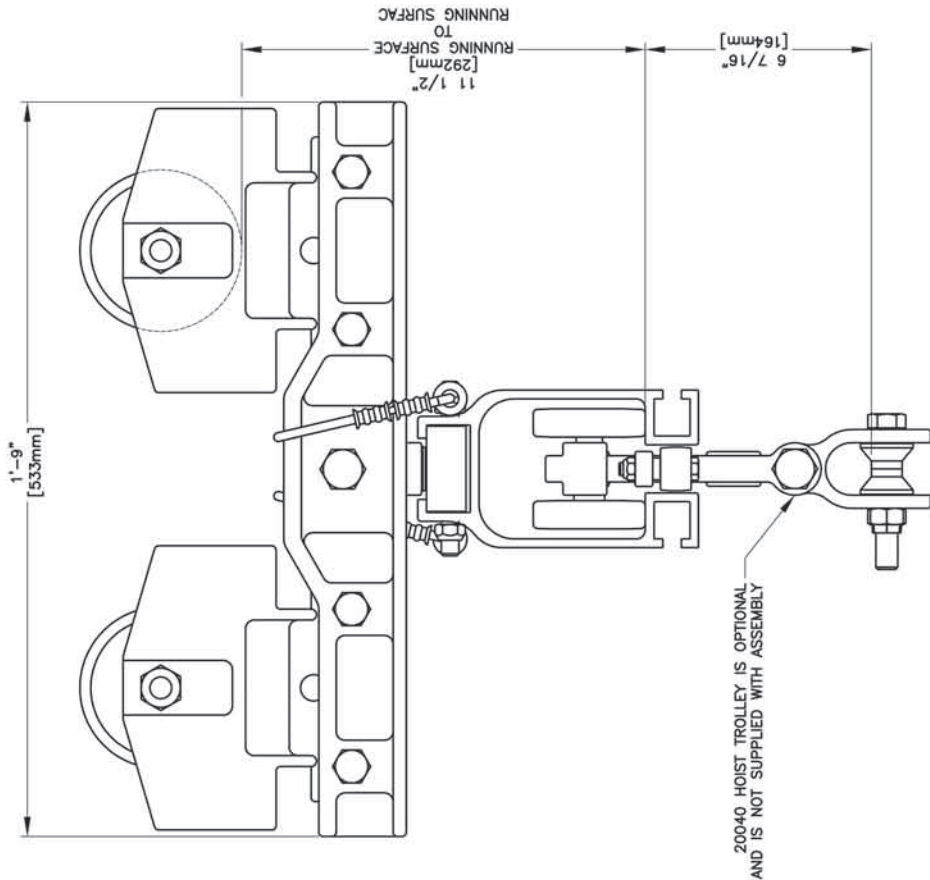
- End truck assemblies for bridge cranes. Rated Load 2200 lbs. (1000kg)
 - **22214** MBC-1000-3-325 End Truck to run on 3.25 Patent Track. Rated Load 2200 lbs. (1000kg)
 - **22216** MBC-1000-3-333 End Truck to run on S6x12.5. Rated Load 2200 lbs. (1000kg)
- Please consult the factory for end trucks to ride on metric beams.

**STANDARD RAIL END TRUCKS
(WITH KICKUP WHEELS)**

- End truck assemblies for bridge cranes. Rated Load 2200 lbs. (1000kg)
- **22218** MBC-1000-3-325 End Truck to run on 3.25 Patent Track. Rated Load 2200 lbs. (1000kg)
- **22220** MBC-1000-3-333 End Truck to run on S6x12.5. Rated Load 2200 lbs. (1000kg)



STANDARD RAIL END TRUCKS (WITH KICKUP WHEELS)
 DUAL TROLLEY END TRUCK AT EACH END OF CRANE GIRDER.
 RATED LOAD: 2200 lbs. [1000 Kg.]
 22218 MBC-1000-3-325 END TRUCK TO RUN ON 3.25 PATENT TRACK.
 22220 MBC-1000-3-333 END TRUCK TO RUN ON 56x12.5.
 WEIGHT: 54 LBS. [24.49 Kg.]

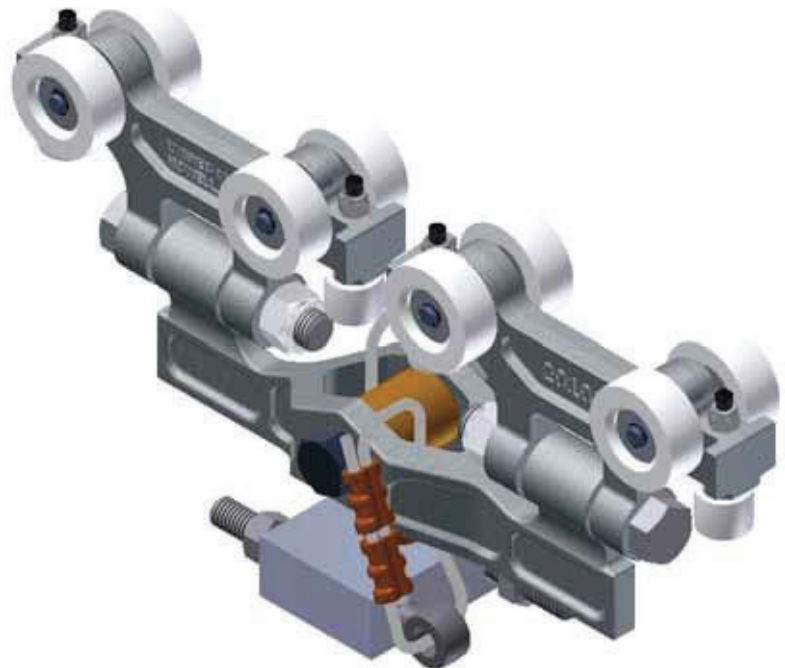


STANDARD RAIL END TRUCKS (WITHOUT KICKUP WHEELS)
 DUAL TROLLEY END TRUCK AT EACH END OF CRANE GIRDER.
 RATED LOAD: 2200 lbs. [1000 Kg.]
 22214 MBC-1000-3-325 END TRUCK TO RUN ON 3.25 PATENT TRACK.
 22216 MBC-1000-3-333 END TRUCK TO RUN ON 56x12.5.
 WEIGHT: 50 LBS. [22.68 Kg.]



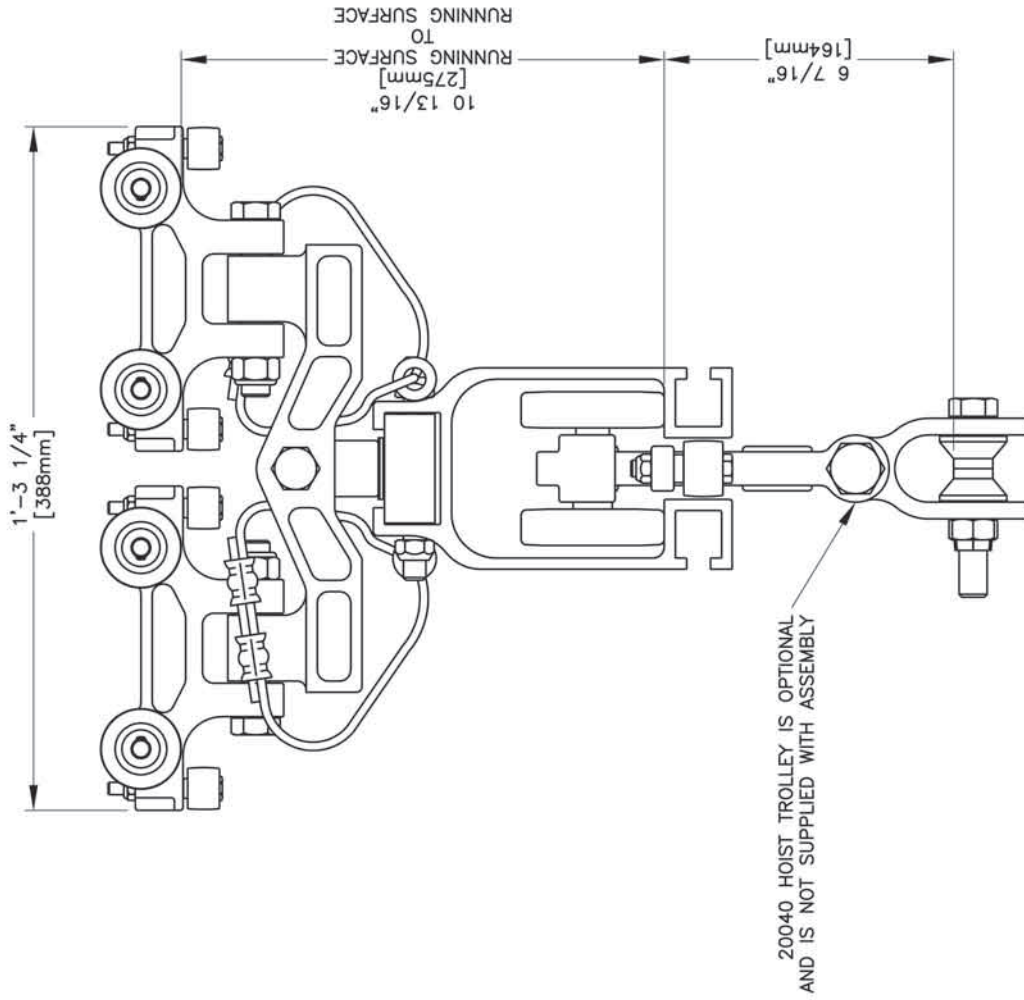
22519 ETA-8 SINGLE END TRUCK

- To operate on ETA-4 and ETA-5 Runway
- Rated Load 550 lbs. (250kg)

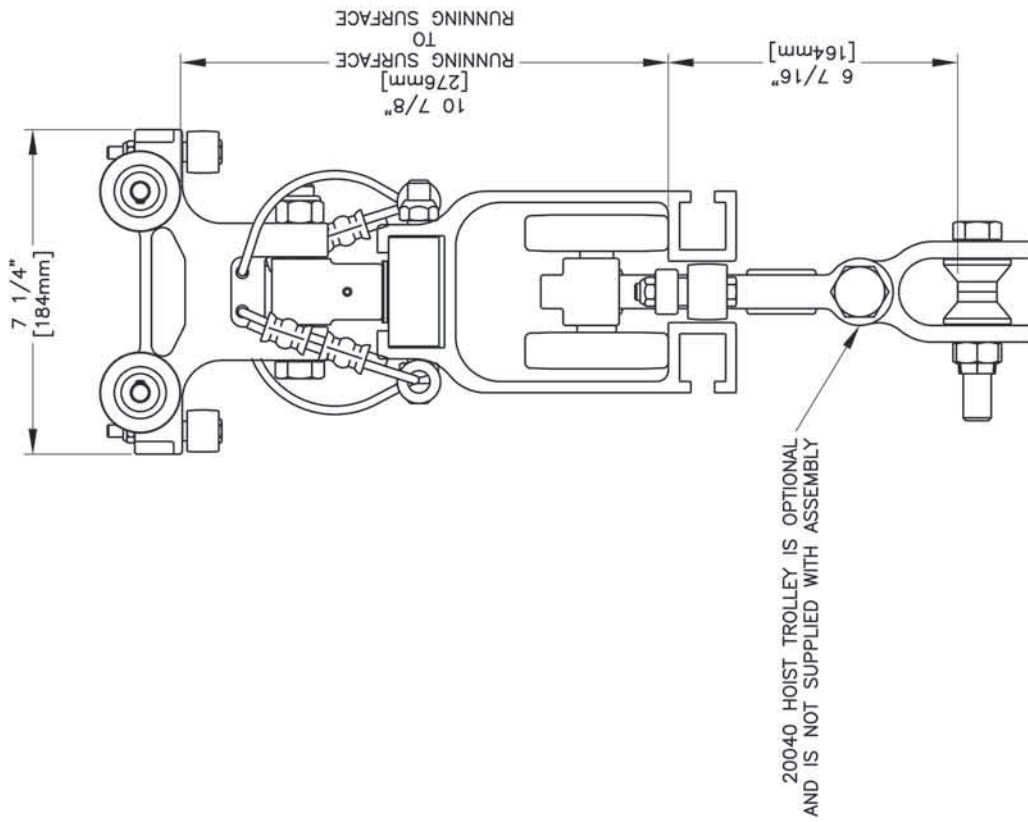


22528 ETA-8 DUAL END TRUCK

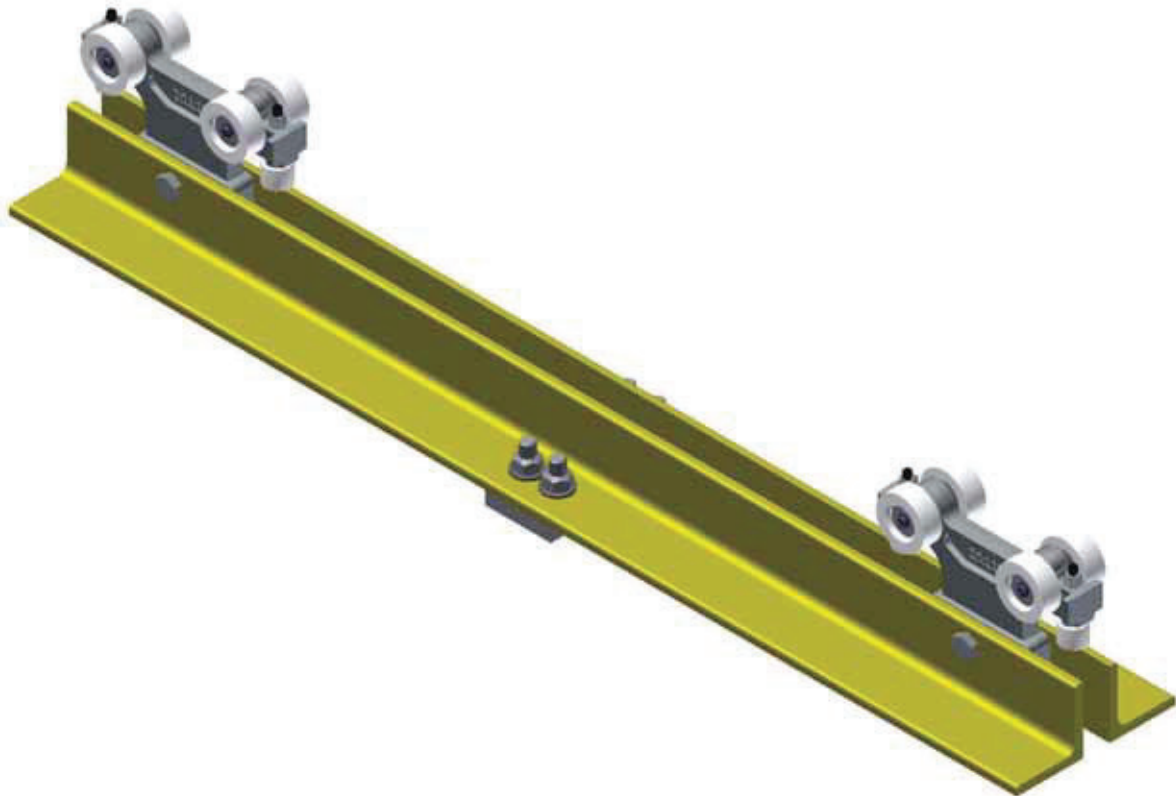
- To operate on ETA-4 and ETA-5 Runway
- Rated Load 1100 lbs. (500kg)



22528 DUAL END TRUCK
SINGLE TROLLEY END TRUCK AT EACH END OF CRANE GIRDER.
RATED LOAD: 1100 lbs. [500 Kg.]
WEIGHT: 10 lbs. [4.54 Kg.]



22519 SINGLE END TRUCK
SINGLE TROLLEY END TRUCK AT EACH END OF CRANE GIRDER.
RATED LOAD: 550 lbs. [250 Kg.]
WEIGHT: 7 lbs. [3.18 Kg.]

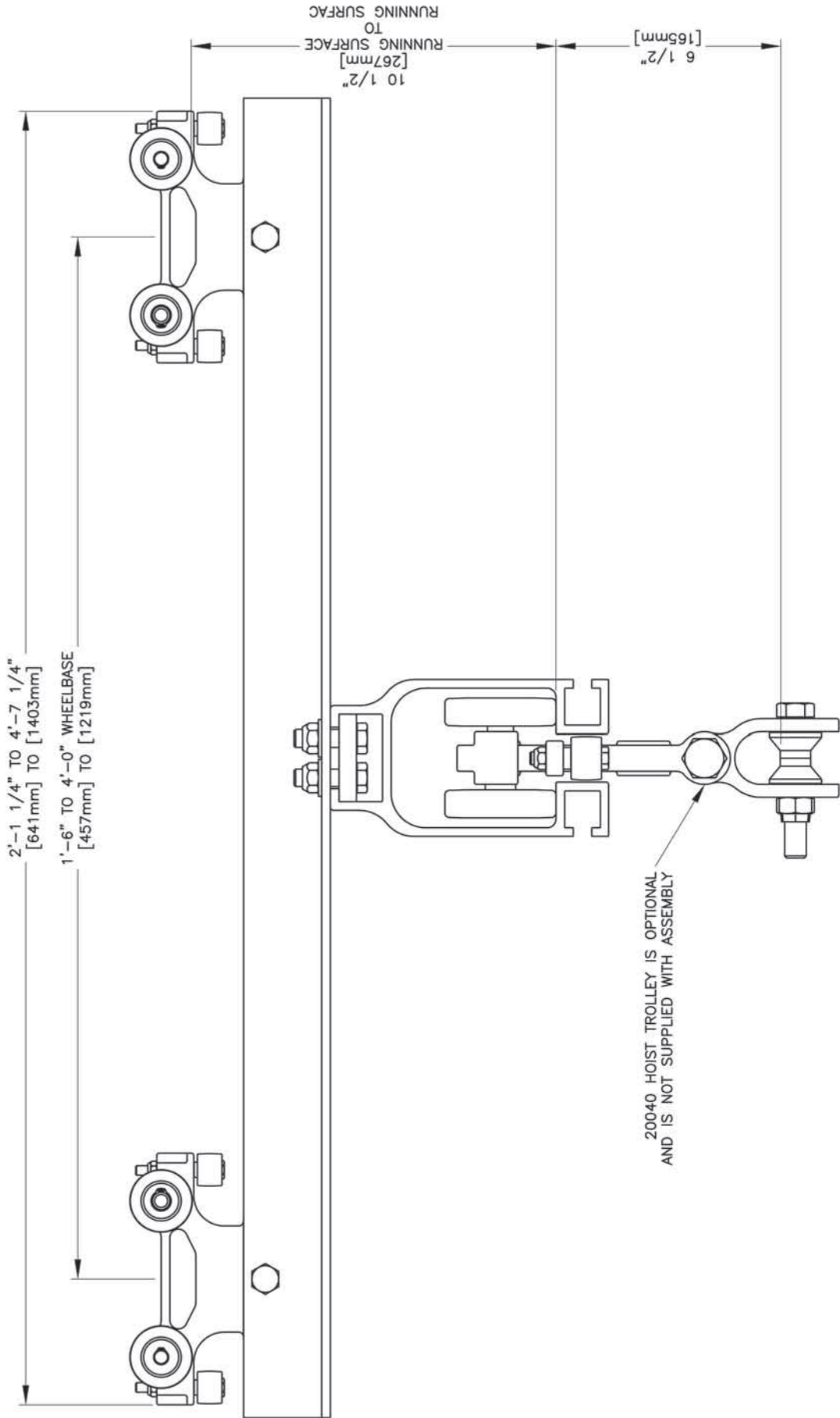


ETA-4/5 RIGID END TRUCK

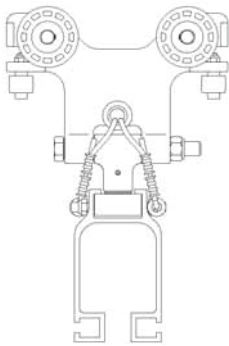
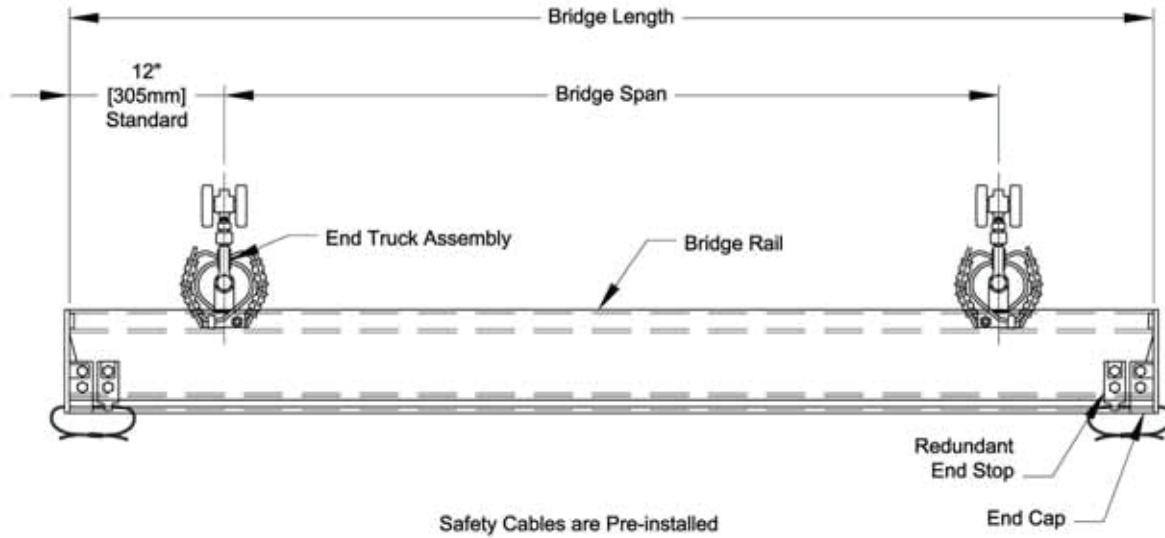
- End truck assemblies for single girder bridge cranes to run on ETA-4/5 Runways.
- Attaches to ETA-4, ETA-5 and ETA-8 Bridges.
- **22546** 1'-6" (457mm) wheelbase for spans 2'-0" (609mm) to 5'-0" (1524mm)
- **22547** 2'-0" (609mm) wheelbase for spans 6'-0" (1829mm) to 9'-0" (2743mm)
- **22548** 2'-6" (762mm) wheelbase for spans 10'-0" (3048mm) to 13'-0" (3962mm)
- **22549** 3'-0" (914mm) wheelbase for spans 14'-0" (4267mm) to 17'-0" (5182mm)
- **22550** 3'-6" (1066mm) wheelbase for spans 18'-0" (5486mm) to 20'-0" (6096mm)
- **22551** 4'-0" (1219mm) wheelbase for spans 21'-0" (6400mm) to 25'-0" (7620mm)
- No safety cable included
- Rated Load 1100 lbs. (500kg)

Weight

24 lbs. (10.8kg)
28 lbs. (12.7kg)
32 lbs. (14.5kg)
36 lbs. (16.3kg)
40 lbs. (18.1kg)
44 lbs. (20kg)



ETA-4 RIGID END TRUCK
 DUAL TROLLEY END TRUCK AT EACH
 END OF AN ETA-8 CRANE GIRDER.
 RATED LOAD: 1100 lbs. [500 Kg.]
 NO SAFETY CABLE INCLUDED



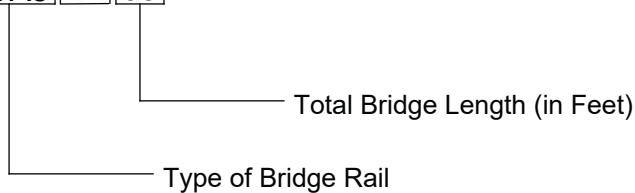
The Bridge Crane Assembly Consists of:

- One bridge beam (section of rail)
- Two end truck assemblies (mounted to the bridge with a trolley to roll inside of the runway, safety cables are pre-installed)
- Double end stops (Ull Standard)

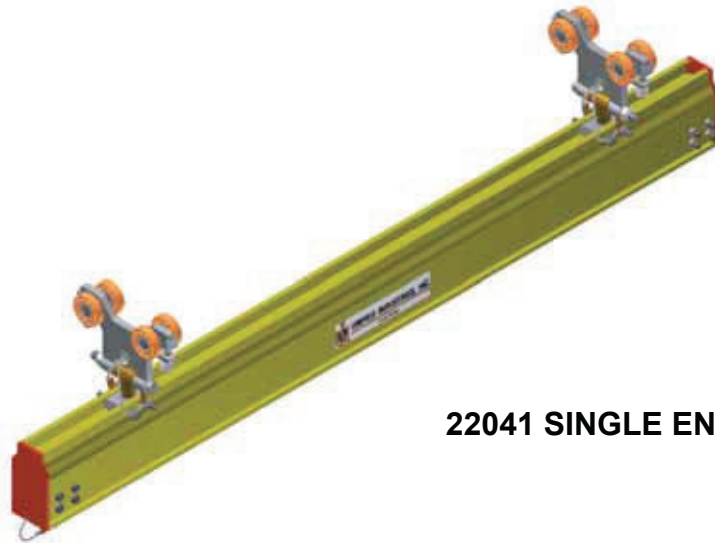
Example (Bridge Rail only)

Order Number:

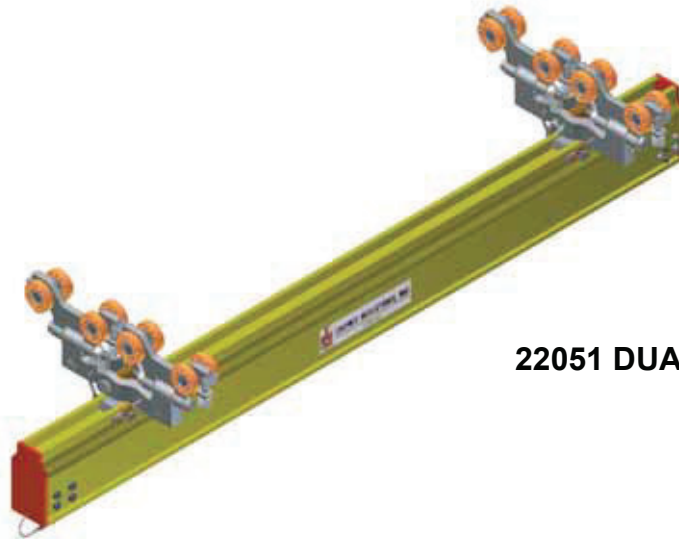
ETA8|BR|08|



- Round up to the nearest foot (Cut to 8'-6" = ETA8BR09)



22041 SINGLE END TRUCK

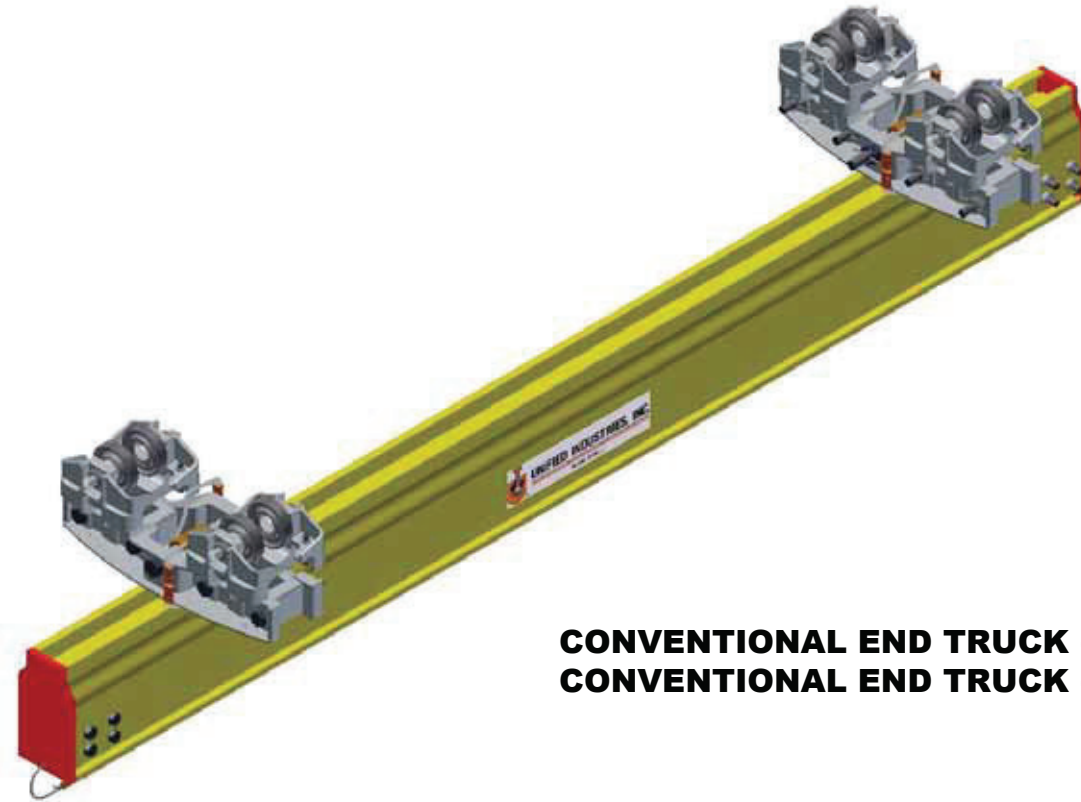


22051 DUAL END TRUCK

Unified ETA-8 single girder bridge cranes consist of two end truck assemblies (either single, dual or rigid carrier trolleys) supporting an aluminum enclosed bridge girder. Bridge girder has bolted polyurethane end caps at each end, completing assembly.

Unified ETA-8 single girder bridge cranes for rated loads to 2200 lbs. (1000kg)

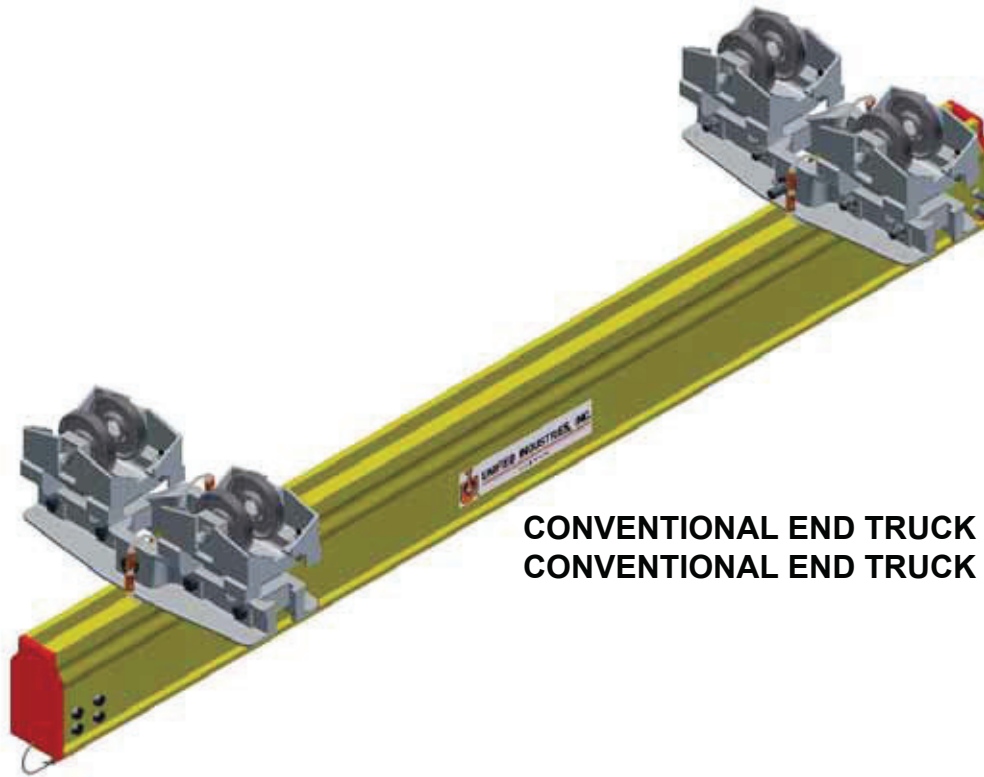
- Standard overhang each end 12 inches (305mm)
- Overhangs up to 48 inches (1219mm), consult factory for application review
- Counter thrust trolleys for countering extended loads are available
- Paint color - specify when ordering
- Air festooning brackets and assemblies are available
- Small tool or messenger cable trolleys available.
- Standard redundant end stops



CONVENTIONAL END TRUCK (W/O KICK-UP)
CONVENTIONAL END TRUCK (KICK-UP)

Designed Specifically For Existing Runway Systems

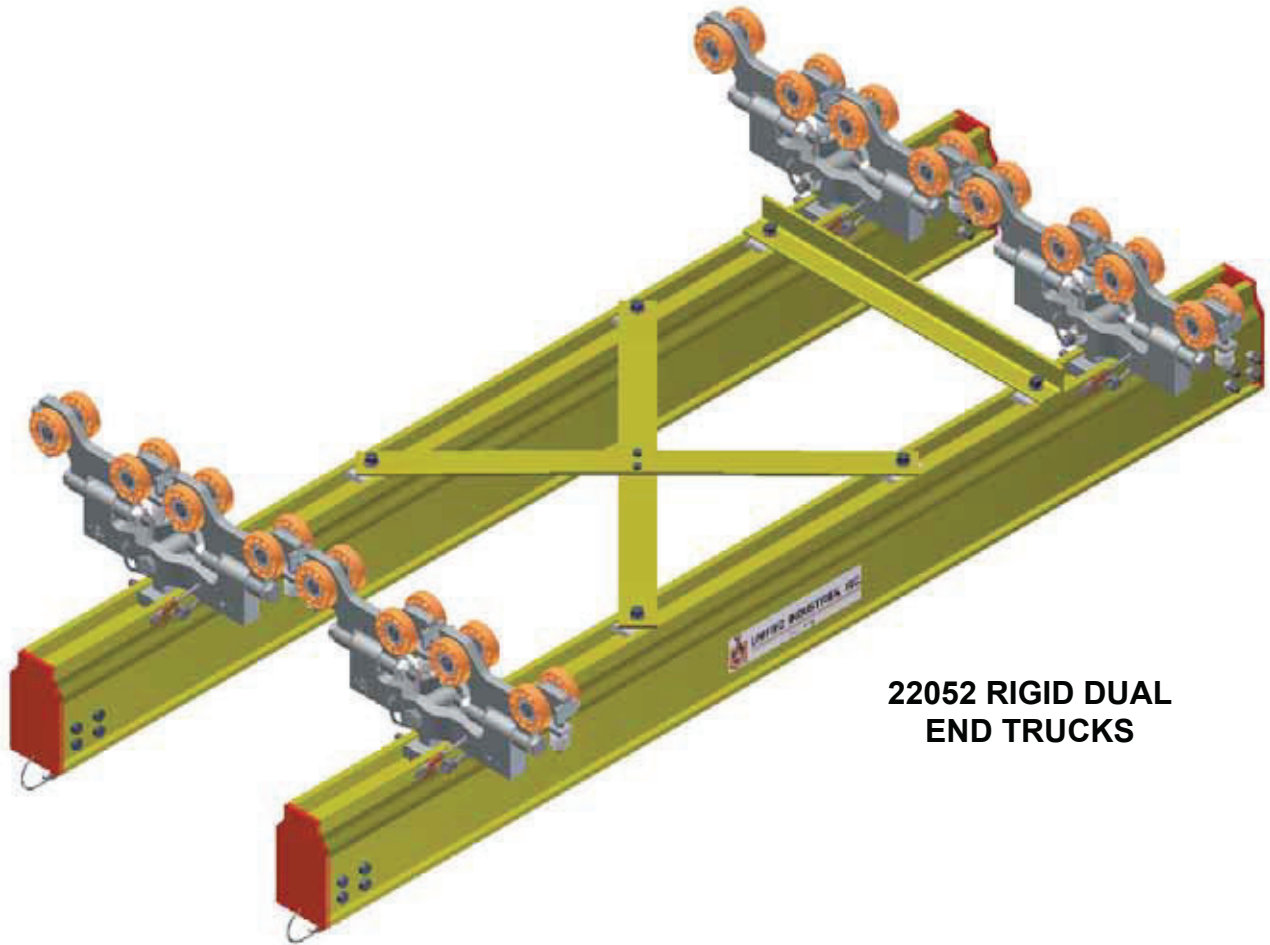
- **22199** end truck assembly MBC-500-3-325 without kickup wheel for operation on 3.25 patent track.
- **22200** end truck assembly MBC-500-3-333 without kickup wheel for operation on S6x12.5.
- **22201** end truck assembly MBC-500-3-4-266 without kickup wheel for operation on S4x7.7.
- **22208** end truck assembly MBC-500-3-325 with kickup wheel for operation on 3.25 patent track.
- Consult the factory for end trucks to ride on metric beams.
- **22210** end truck assembly MBC-500-3-333 with kickup wheel for operation on S6x12.5.
- **22212** end truck assembly MBC-500-3-4-266 without kickup wheel for operation on S4x7.7.
- Self aligning end trucks
- High tensile almag alloy castings make up end truck assembly
- Counter thrust trolleys for countering extended loads are available
- Low inertia: 1-2% of load
- Paint color-specify when ordering
- Double end stops standard
- End Trucks are equipped with 3.2" (82mm) steel wheels with permanently sealed precision ball bearings
- Optional Rigid Mount



CONVENTIONAL END TRUCK (W/O KICK-UP)
CONVENTIONAL END TRUCK (WITH KICK-UP)

Designed Specifically For Existing Runway Systems

- **22214** end truck assembly MBC-1000-3-325 without kickup wheel for operation on 3.25 patent track.
- **22216** end truck assembly MBC-1000-3-333 without kickup wheel for operation on S6x12.5.
- **22218** end truck assembly MBC-1000-3-325 with kickup wheel for operation on 3.25 patent track.
- **22220** end truck assembly MBC-1000-3-333 with kickup wheel for operation on S6x12.5.
- Consult factory for end trucks to ride on metric beams.
- Self aligning end trucks
- High tensile almag alloy casting make up end truck assembly
- Counter thrust trolleys for countering extended loads are available
- End truck carriers are equipped with 4.6" (117mm) steel wheels with permanently sealed precision ball bearings
- Steel side guide rollers with dual race ball bearings for smooth, quiet operation
- Low inertia: 1-2% of load
- Paint color-specify when ordering
- Standard redundant end stops
- Optional Rigid Mount

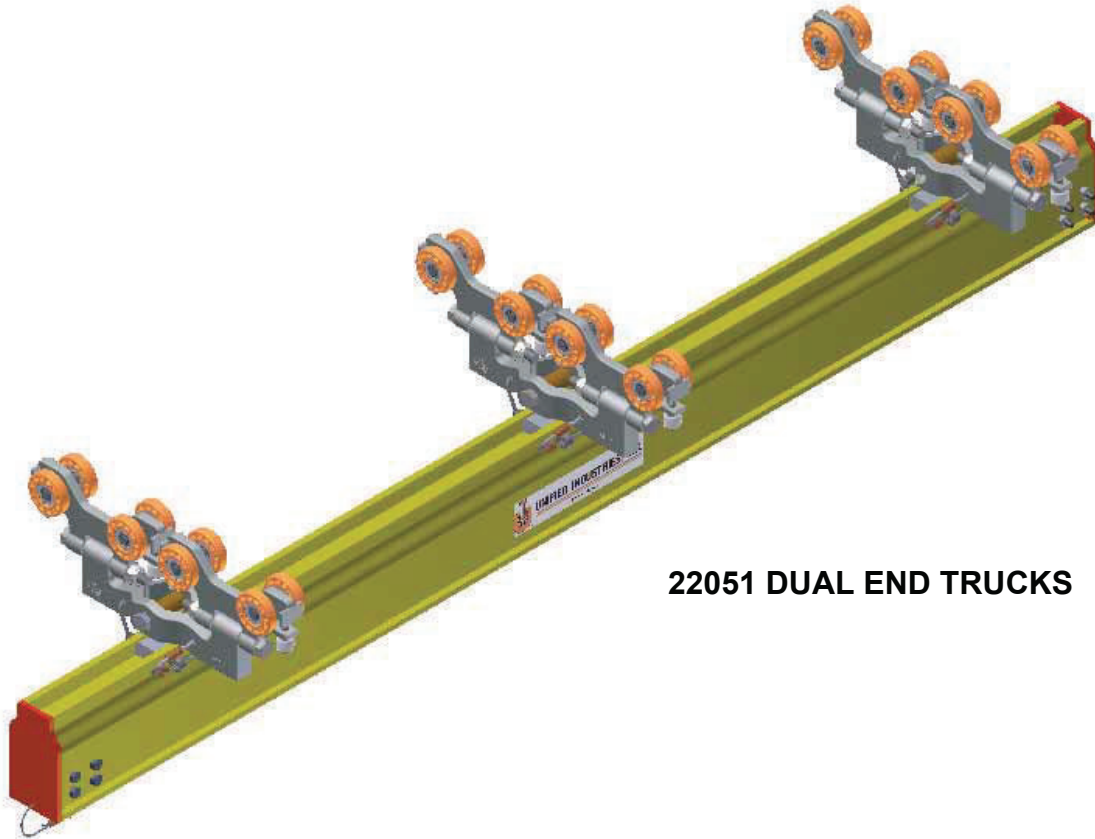


**22052 RIGID DUAL
END TRUCKS**

Unified ETA-8 double girder bridge cranes are used for suspending hoists, nut runners, indexing fixtures, mechanical grabs, etc.

ETA-8 double girder bridge cranes consist of four dual trolley end trucks supporting ETA-8 extruded aluminum bridge girders. Bridge girder has bolted polyurethane end caps at each end, completing assembly.

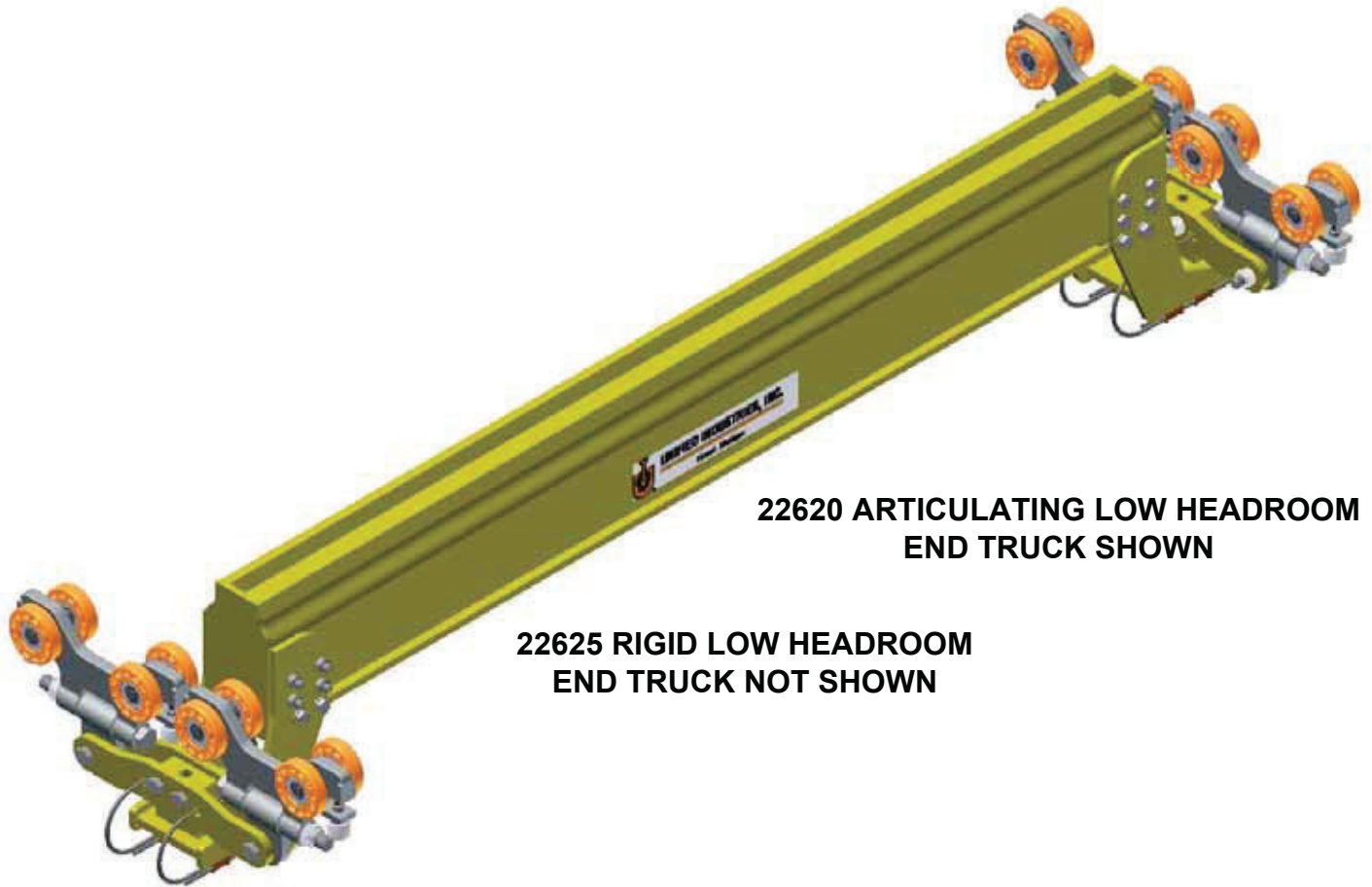
- Diagonal bracing to prohibit articulation
- 12" (305mm) standard overhang; specify when ordering
- Air line festoon brackets, trolleys and assemblies are available
- Paint color - specify when ordering
- Standard redundant end stops
- Longer overhangs consult factory



22051 DUAL END TRUCKS

Unified ETA-8 single girder tri-rail bridge crane equipped with three end truck assemblies **22051** dual end truck assemblies increases rated loads carrying when third rail is added. Bridge girder has bolted polyurethane end caps at each end, completing assembly. Tri-rail bridge cranes are used for hoist transfer of component parts or assemblies between stations.

- 12" (305mm) standard overhang at each end standard
- Anti-kick-up trolley available for end trucks
- Air line festooning brackets and assemblies available
- Festoon trolley or tag line slider available
- Paint color - specify when ordering
- Standard redundant end stops
- Longer overhangs consult factory

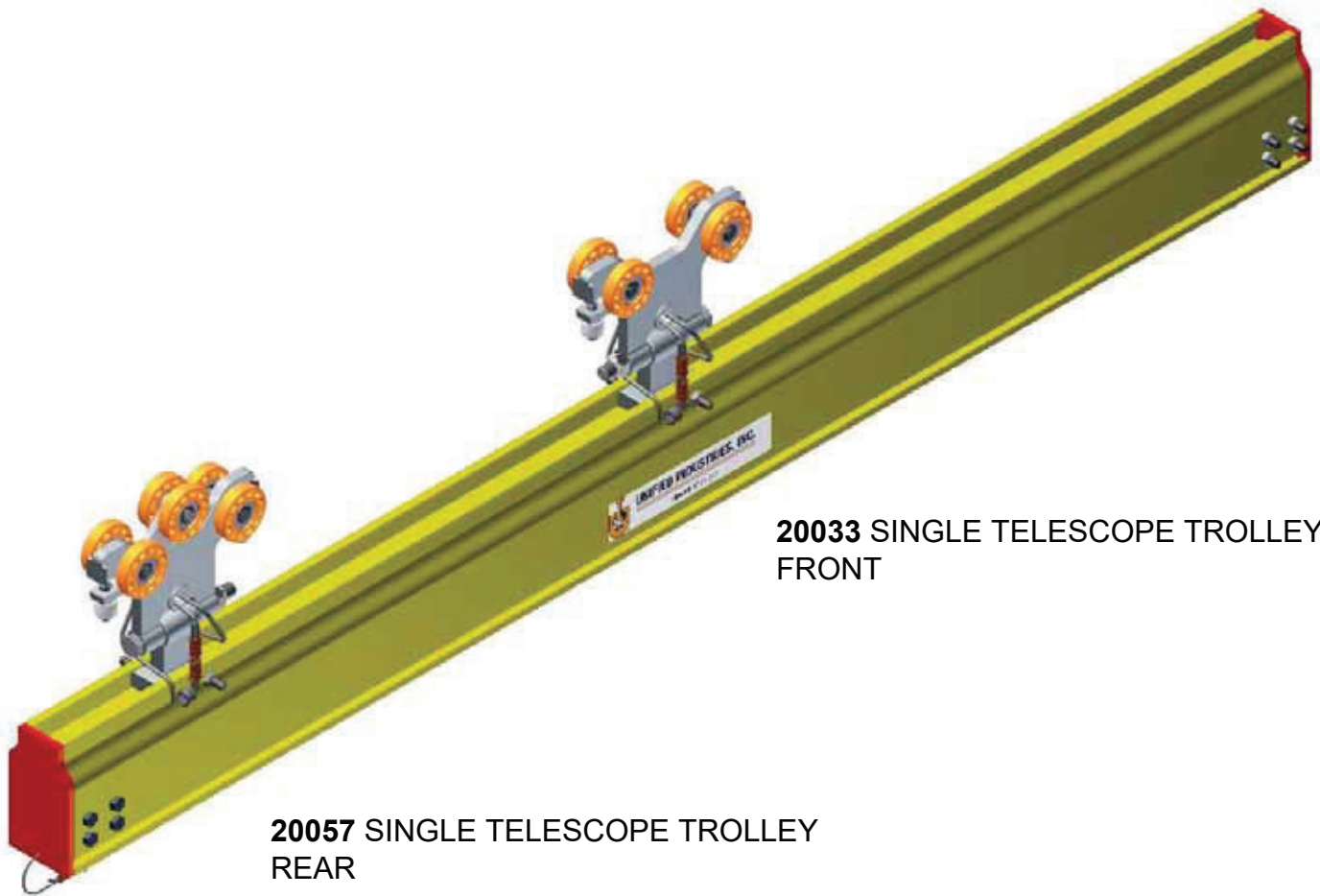


**22620 ARTICULATING LOW HEADROOM
END TRUCK SHOWN**

**22625 RIGID LOW HEADROOM
END TRUCK NOT SHOWN**

Unified ETA-8 single girder low headroom bridge crane consists of two end truck assemblies supporting an aluminum enclosed bridge girder. Bridge girder and runway girder are held at the same elevation with bolted construction and a urethane bumper at each end completing the assembly.

- Increased headroom in low areas
- Paint color - specify when ordering
- Air festooning brackets and assemblies available
- Small tool, festoon trolley or tag line slider available.
- Overhangs are not available



20033 SINGLE TELESCOPE TROLLEY
FRONT

20057 SINGLE TELESCOPE TROLLEY
REAR

ETA-8 TELESCOPING UNITS

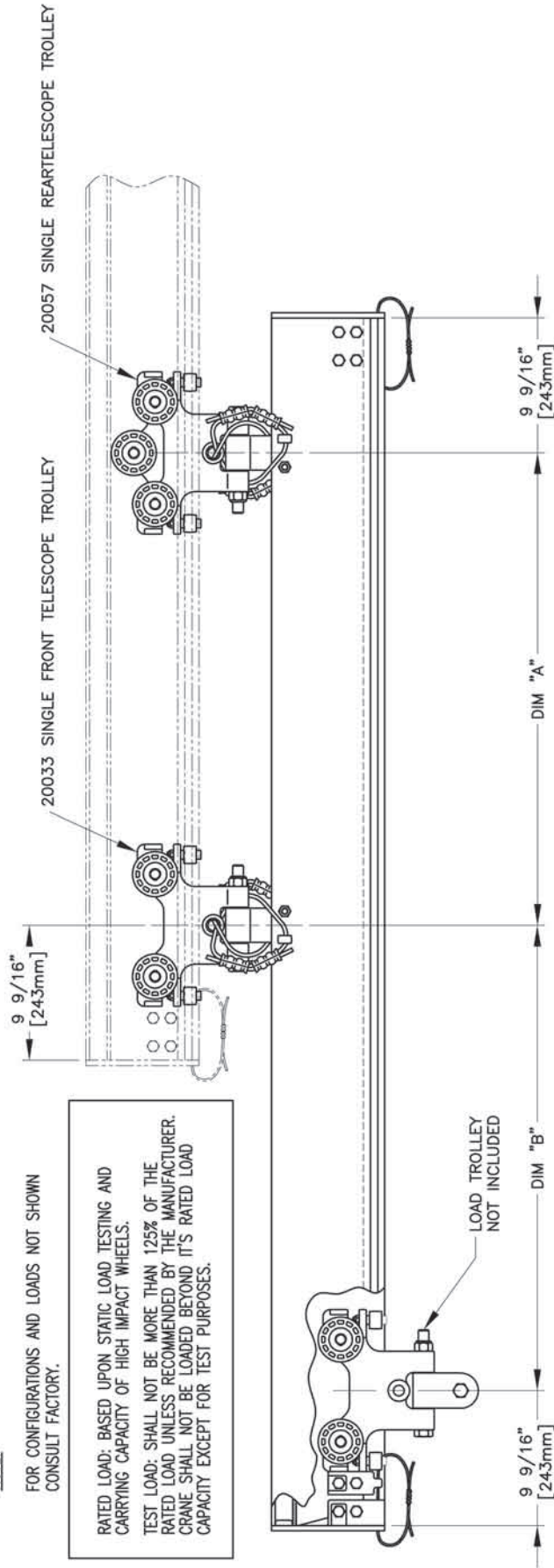
ETA-8 TELESCOPE UNIT WITH SINGLE TROLLEY FRONT AND REAR

"A"	"B"	RATED LOAD		"A"	"B"	RATED LOAD		"A"	"B"	RATED LOAD	
		1/250	1/450			1/250	1/450			1/250	1/450
24 INCH	24 in.	475 lbs.	475 lbs.	36 INCH	24 in.	635 lbs.	635 lbs.	60 INCH	24 in.	710 lbs.	710 lbs.
	36 in.	320 lbs.	320 lbs.		36 in.	585 lbs.	585 lbs.		36 in.	620 lbs.	620 lbs.
	48 in.	230 lbs.	230 lbs.		48 in.	510 lbs.	510 lbs.		48 in.	550 lbs.	520 lbs.
	60 in.	175 lbs.	175 lbs.		60 in.	390 lbs.	390 lbs.		60 in.	490 lbs.	370 lbs.
	72 in.	140 lbs.	140 lbs.		72 in.	315 lbs.	315 lbs.		72 in.	440 lbs.	275 lbs.

NOTE:

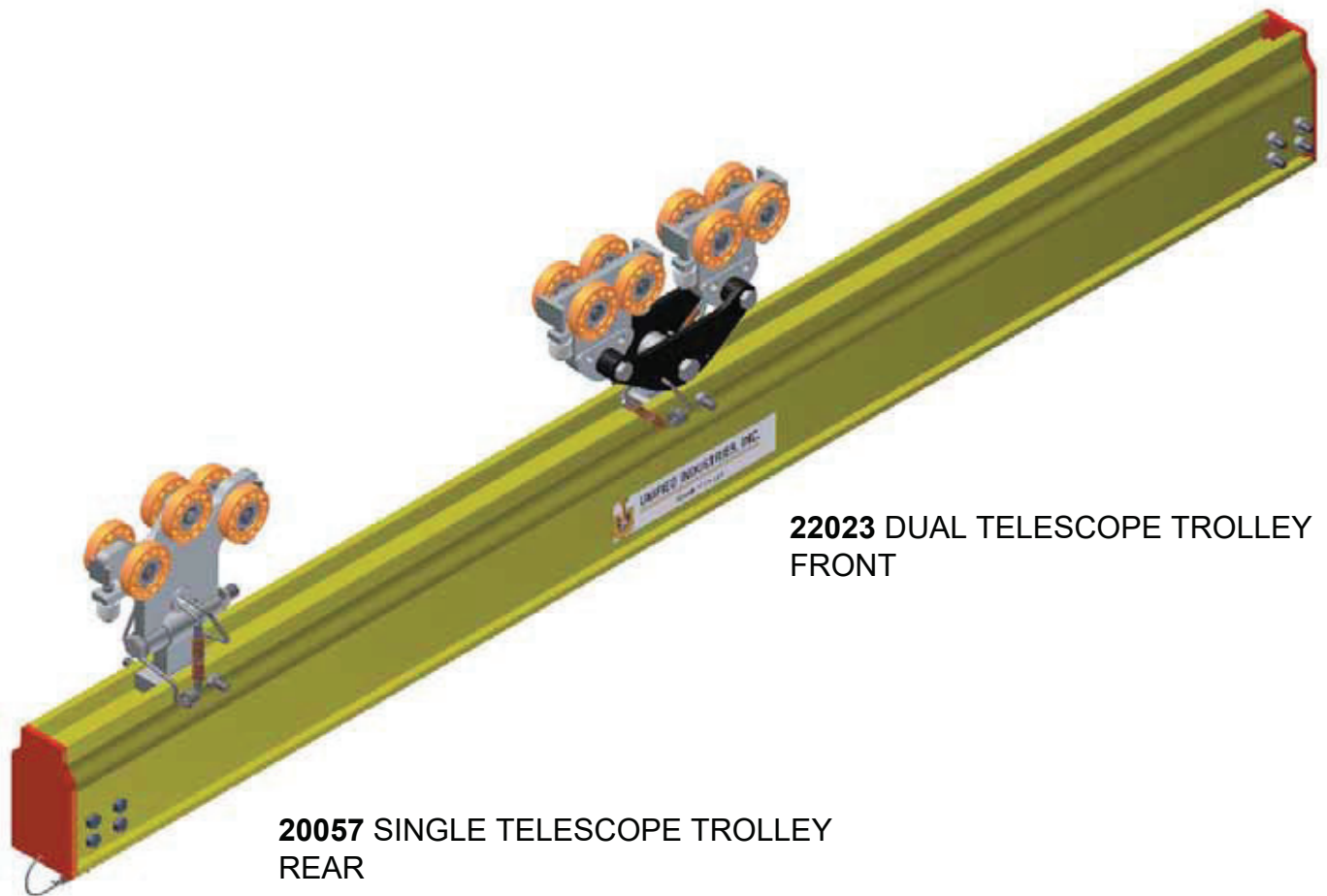
FOR CONFIGURATIONS AND LOADS NOT SHOWN
CONSULT FACTORY.

RATED LOAD: BASED UPON STATIC LOAD TESTING AND
CARRYING CAPACITY OF HIGH IMPACT WHEELS.
TEST LOAD: SHALL NOT BE MORE THAN 125% OF THE
RATED LOAD UNLESS RECOMMENDED BY THE MANUFACTURER.
CRANE SHALL NOT BE LOADED BEYOND IT'S RATED LOAD
CAPACITY EXCEPT FOR TEST PURPOSES.



ETA-8 TELESCOPE UNIT WITH SINGLE TROLLEY FRONT AND REAR

"A"	"B"	RATED LOAD		"A"	"B"	RATED LOAD		"A"	"B"	RATED LOAD	
		1/250	1/450			1/250	1/450			1/250	1/450
610 mm	610mm	215 Kg.	215 Kg.	1524 mm	610mm	288 Kg.	288 Kg.	1829 mm	610mm	322 Kg.	322 Kg.
	914mm	145 Kg.	145 Kg.		914mm	265 Kg.	265 Kg.		914mm	281 Kg.	281 Kg.
	1219mm	104 Kg.	104 Kg.		1219mm	231 Kg.	231 Kg.		1219mm	249 Kg.	236 Kg.
	1524mm	79 Kg.	79 Kg.		1524mm	177 Kg.	177 Kg.		1524mm	222 Kg.	188 Kg.
	1829mm	64 Kg.	64 Kg.		1829mm	143 Kg.	143 Kg.		1829mm	200 Kg.	125 Kg.



22023 DUAL TELESCOPE TROLLEY
FRONT

2057 SINGLE TELESCOPE TROLLEY
REAR

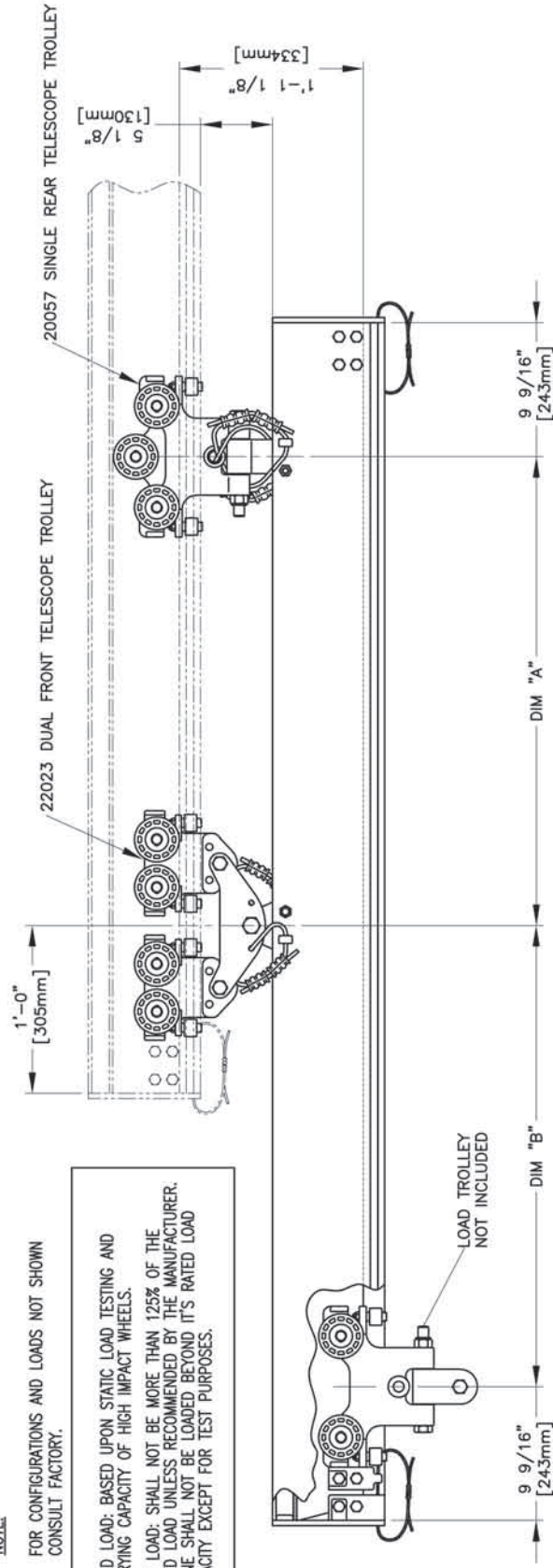
ETA-8 TELESCOPING UNITS

ETA-8 TELESCOPE UNIT WITH DUAL FRONT AND SINGLE REAR TROLLEYS											
"A"	"B"	RATED LOAD		"A"	"B"	RATED LOAD		"A"	"B"	RATED LOAD	
		1/250	1/450			1/250	1/450			1/250	1/450
24	24 in.	475 lbs.	475 lbs.	36	24 in.	760 lbs.	760 lbs.	48	24 in.	1000 lbs.	1000 lbs.
INCH	36 in.	320 lbs.	320 lbs.	INCH	36 in.	495 lbs.	495 lbs.	INCH	36 in.	855 lbs.	855 lbs.
	48 in.	230 lbs.	230 lbs.		48 in.	365 lbs.	365 lbs.		48 in.	630 lbs.	590 lbs.
	60 in.	175 lbs.	175 lbs.		60 in.	280 lbs.	280 lbs.		60 in.	495 lbs.	410 lbs.
	72 in.	140 lbs.	140 lbs.		72 in.	225 lbs.	225 lbs.		72 in.	405 lbs.	300 lbs.

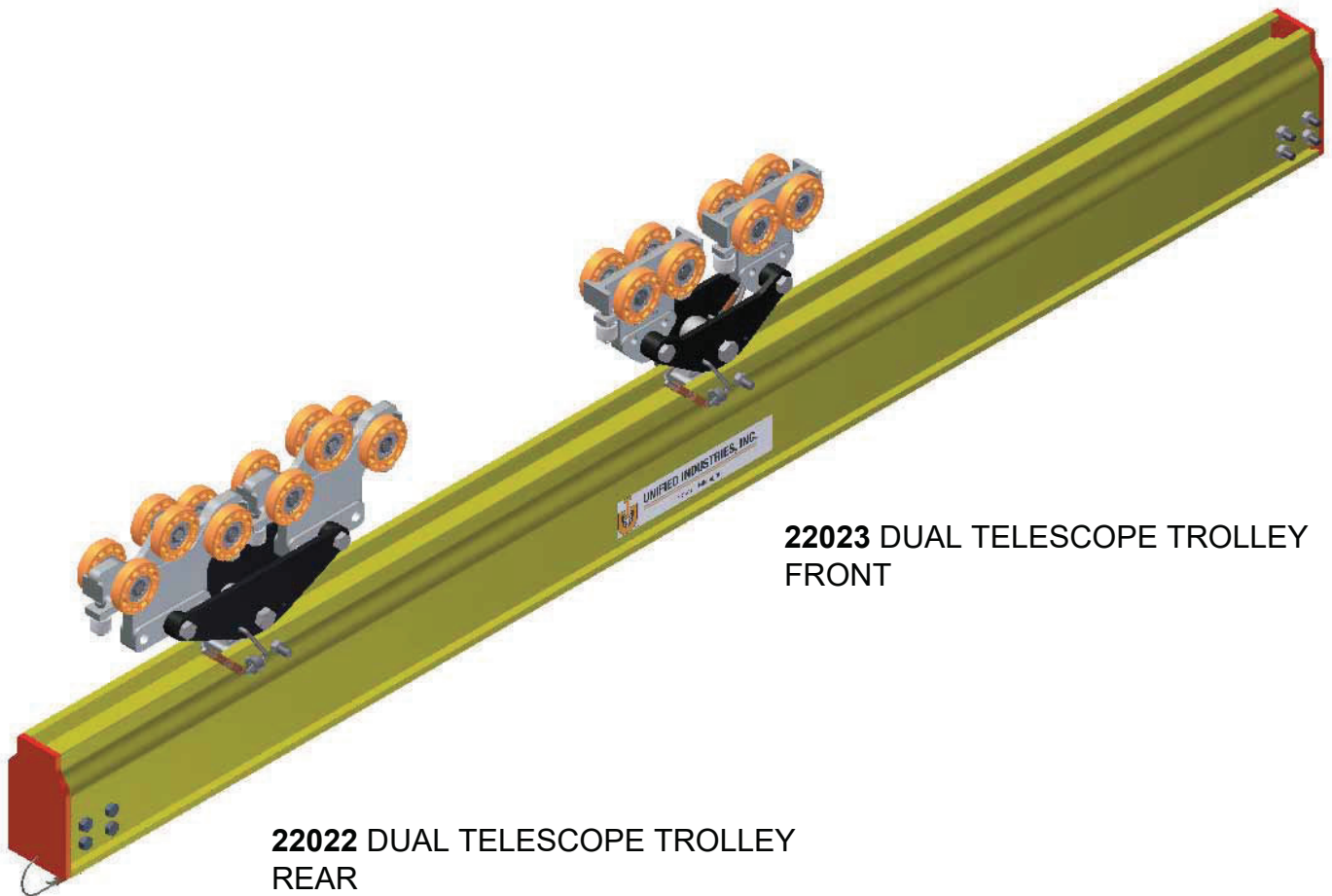
NOTE:

FOR CONFIGURATIONS AND LOADS NOT SHOWN CONSULT FACTORY.

RATED LOAD: BASED UPON STATIC LOAD TESTING AND CARRYING CAPACITY OF HIGH IMPACT WHEELS. TEST LOAD: SHALL NOT BE MORE THAN 125% OF THE RATED LOAD UNLESS RECOMMENDED BY THE MANUFACTURER. CRANE SHALL NOT BE LOADED BEYOND IT'S RATED LOAD CAPACITY EXCEPT FOR TEST PURPOSES.



ETA-8 TELESCOPE UNIT WITH DUAL FRONT AND SINGLE REAR TROLLEYS											
"A"	"B"	RATED LOAD		"A"	"B"	RATED LOAD		"A"	"B"	RATED LOAD	
		1/250	1/450			1/250	1/450			1/250	1/450
610	610mm	215 Kg.	215 Kg.	914	610mm	345 Kg.	345 Kg.	1219	610mm	454 Kg.	454 Kg.
mm	914mm	145 Kg.	145 Kg.	mm	914mm	225 Kg.	225 Kg.	mm	914mm	306 Kg.	306 Kg.
	1219mm	104 Kg.	104 Kg.		1219mm	166 Kg.	166 Kg.		1219mm	225 Kg.	225 Kg.
	1524mm	79 Kg.	79 Kg.		1524mm	127 Kg.	127 Kg.		1524mm	177 Kg.	177 Kg.
	1829mm	64 Kg.	64 Kg.		1829mm	102 Kg.	102 Kg.		1829mm	143 Kg.	143 Kg.



22023 DUAL TELESCOPE TROLLEY
FRONT

22022 DUAL TELESCOPE TROLLEY
REAR

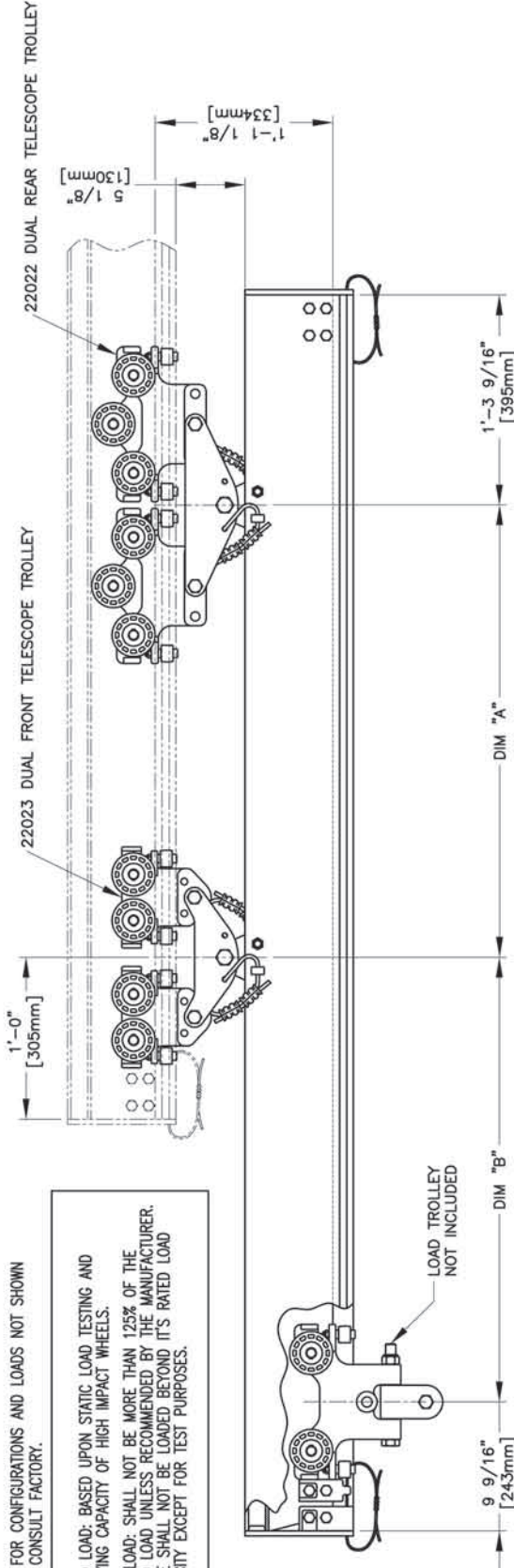
ETA-8 TELESCOPING UNITS

ETA-8 TELESCOPE UNIT WITH DUAL TROLLEYS FRONT AND REAR							
"A"	"B"	RATED LOAD		"A"	"B"	RATED LOAD	
		1/250	1/450			1/250	1/450
24	24 in.	975 lbs.	975 lbs.	60	24 in.	1390 lbs.	1390 lbs.
	36 in.	655 lbs.	655 lbs.		36 in.	1210 lbs.	870 lbs.
	48 in.	480 lbs.	480 lbs.		48 in.	1050 lbs.	575 lbs.
	60 in.	375 lbs.	375 lbs.		60 in.	750 lbs.	410 lbs.
	72 in.	305 lbs.	305 lbs.		72 in.	580 lbs.	300 lbs.
INCH				INCH			

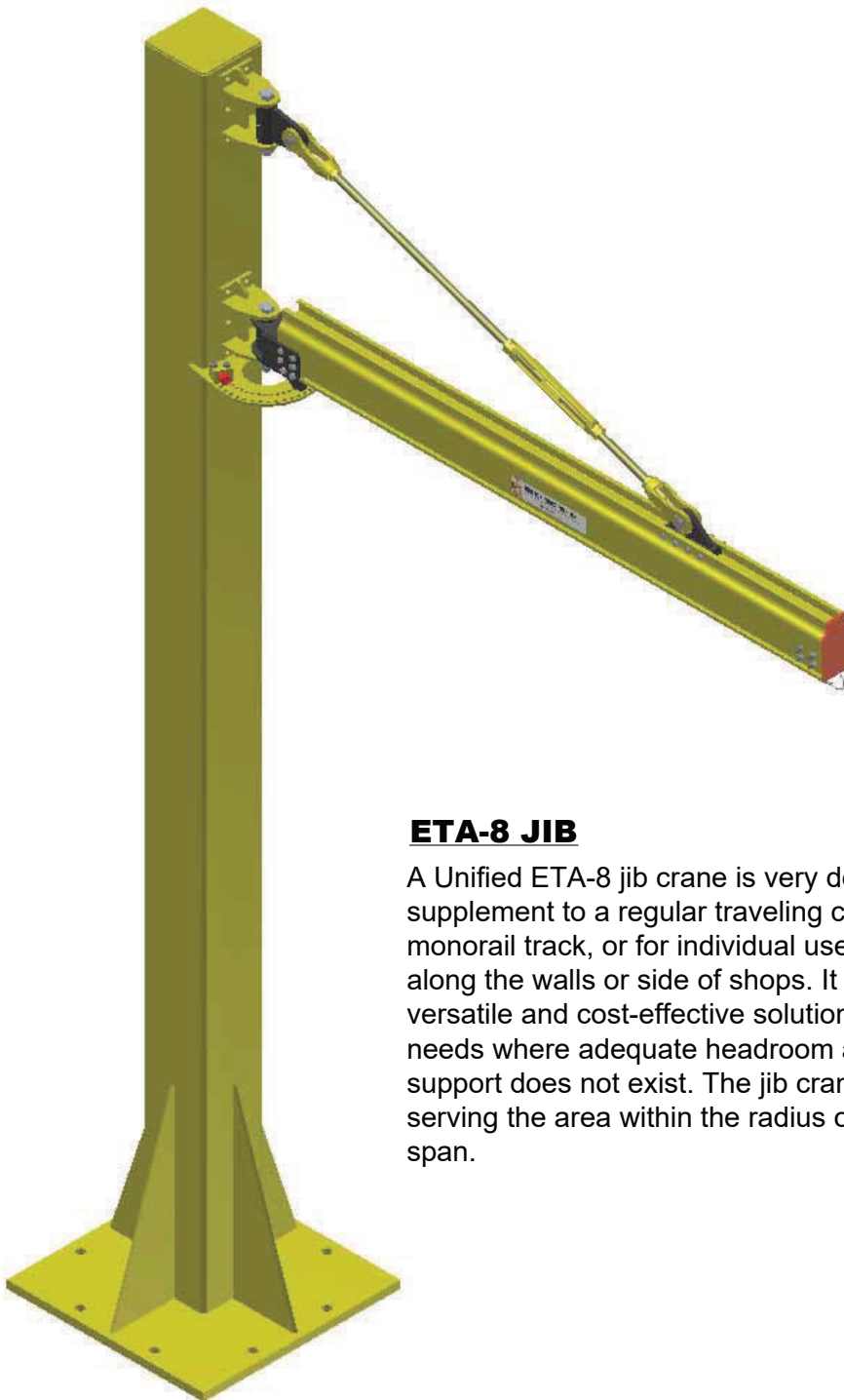
NOTE:

FOR CONFIGURATIONS AND LOADS NOT SHOWN CONSULT FACTORY.

RATED LOAD: BASED UPON STATIC LOAD TESTING AND CARRYING CAPACITY OF HIGH IMPACT WHEELS.
 TEST LOAD: SHALL NOT BE MORE THAN 125% OF THE RATED LOAD UNLESS RECOMMENDED BY THE MANUFACTURER. CRANE SHALL NOT BE LOADED BEYOND IT'S RATED LOAD CAPACITY EXCEPT FOR TEST PURPOSES.



ETA-8 TELESCOPE UNIT WITH DUAL TROLLEY FRONT AND REAR							
"A"	"B"	RATED LOAD		"A"	"B"	RATED LOAD	
		1/250	1/450			1/250	1/450
610	610mm	442 Kg.	442 Kg.	1524	610mm	630 Kg.	630 Kg.
	914mm	297 Kg.	297 Kg.		914mm	549 Kg.	395 Kg.
	1219mm	218 Kg.	218 Kg.		1219mm	476 Kg.	261 Kg.
	1524mm	170 Kg.	170 Kg.		1524mm	340 Kg.	186 Kg.
	1829mm	138 Kg.	138 Kg.		1829mm	254 Kg.	136 Kg.
mm				mm			

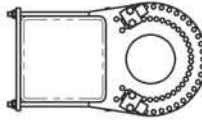


ETA-8 JIB

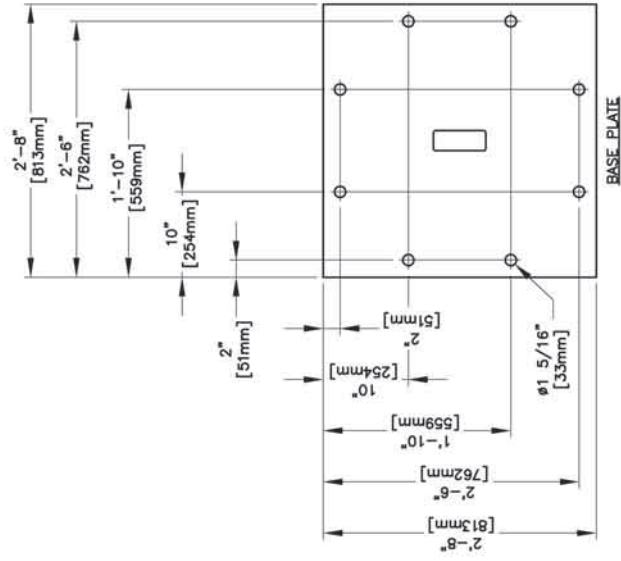
A Unified ETA-8 jib crane is very desirable as a supplement to a regular traveling crane or monorail track, or for individual use in bays and along the walls or side of shops. It provides a versatile and cost-effective solution to your crane needs where adequate headroom and structural support does not exist. The jib crane rotates 220° serving the area within the radius of the beam's span.



98545 10" JIB COLUMN INDEX STOP ASSEMBLY



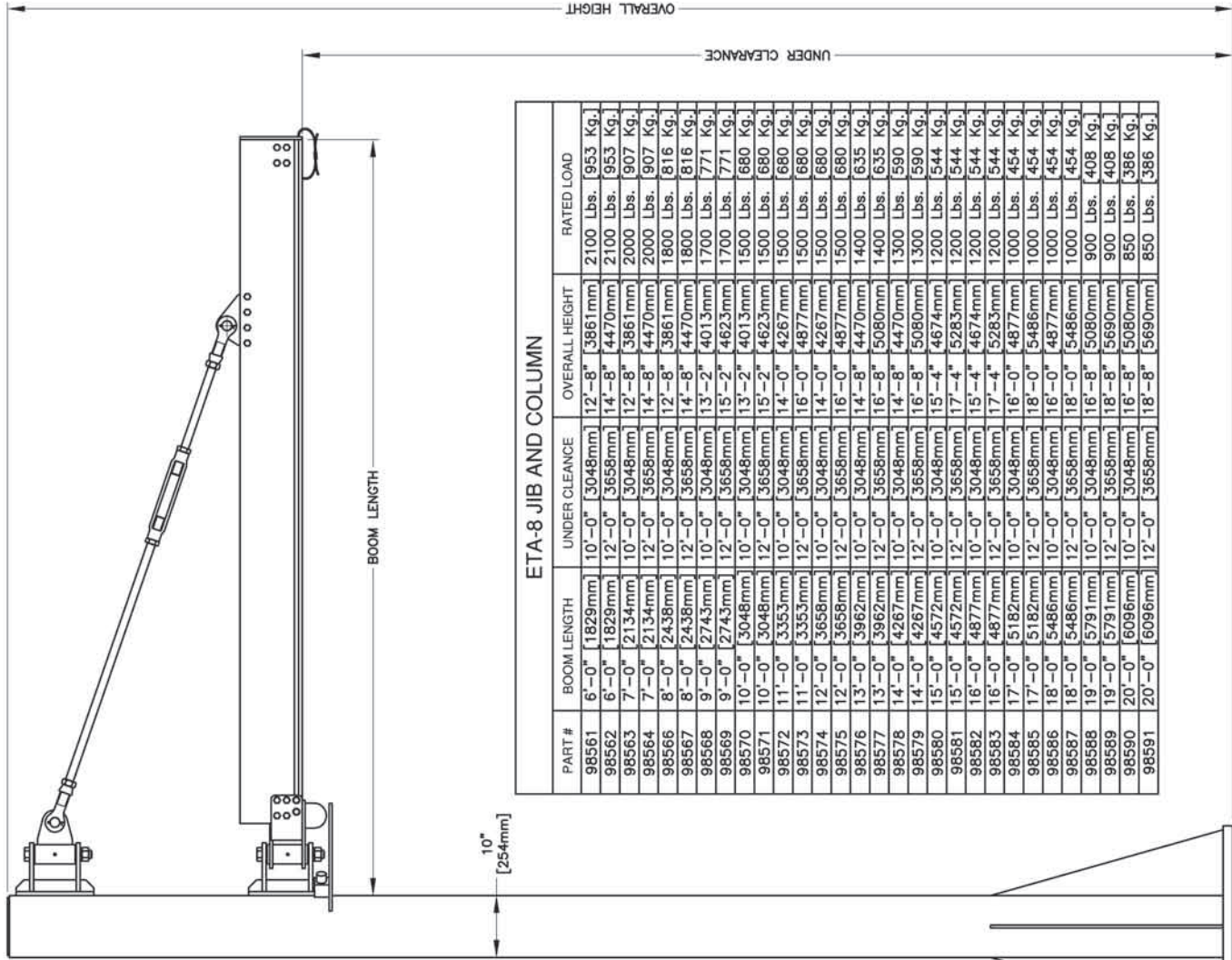
98546 10" BOLTED JIB COLUMN INDEX STOP ASSEMBLY



BASE PLATE

TEST LOAD SHALL NOT BE MORE THAN 125% OF THE RATED LOAD UNLESS RECOMMENDED BY THE MANUFACTURER. COLUMN SHALL NOT BE LOADED BEYOND IT'S RATED LOAD CAPACITY EXCEPT FOR TEST PURPOSES.

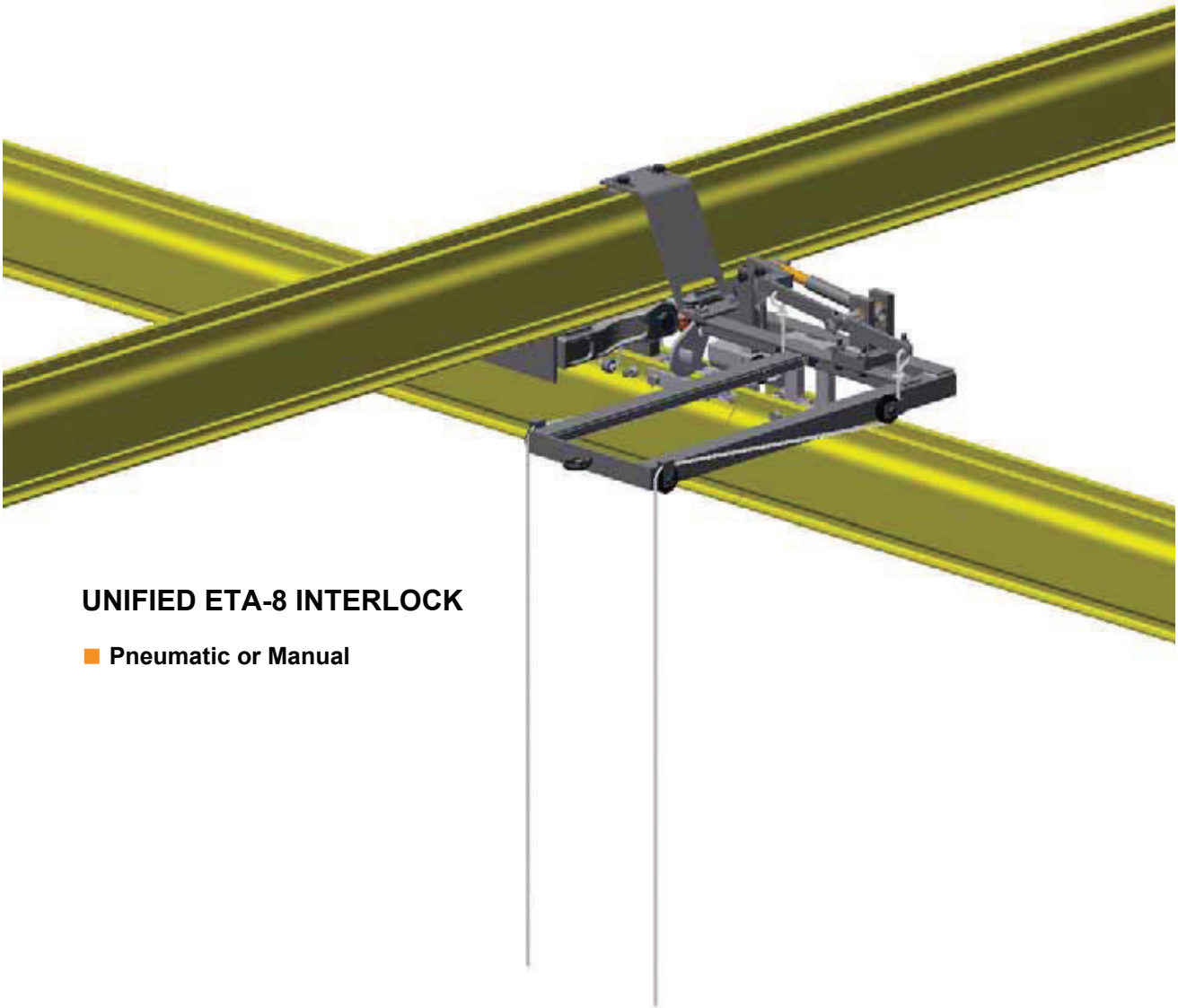
NOTES:
 1. CONSULT FACTORY FOR UNDERCLEARANCE MORE THAN 12'-0" [3658mm].
 2. THE MINIMUM ANCHOR REQUIREMENT IS A #1 [425mm] WEDGE TYPE ANCHOR BOLT WITH 6" [152mm] STANDARD EMBEDMENT IN 3" [76mm] 3000 PSI [2070 N/cm²] CONCRETE.



ETA-8 JIB AND COLUMN

PART #	BOOM LENGTH	UNDER CLEARANCE	OVERALL HEIGHT	RATED LOAD
98561	6'-0" [1829mm]	10'-0" [3048mm]	12'-8" [3861mm]	2100 Lbs. [953 Kg.]
98562	6'-0" [1829mm]	12'-0" [3658mm]	14'-8" [4470mm]	2100 Lbs. [953 Kg.]
98563	7'-0" [2134mm]	10'-0" [3048mm]	12'-8" [3861mm]	2000 Lbs. [907 Kg.]
98564	7'-0" [2134mm]	12'-0" [3658mm]	14'-8" [4470mm]	2000 Lbs. [907 Kg.]
98566	8'-0" [2438mm]	10'-0" [3048mm]	12'-8" [3861mm]	1800 Lbs. [816 Kg.]
98567	8'-0" [2438mm]	12'-0" [3658mm]	14'-8" [4470mm]	1800 Lbs. [816 Kg.]
98568	9'-0" [2743mm]	10'-0" [3048mm]	13'-2" [4013mm]	1700 Lbs. [771 Kg.]
98569	9'-0" [2743mm]	12'-0" [3658mm]	15'-2" [4623mm]	1700 Lbs. [771 Kg.]
98570	10'-0" [3048mm]	10'-0" [3048mm]	13'-2" [4013mm]	1500 Lbs. [680 Kg.]
98571	10'-0" [3048mm]	12'-0" [3658mm]	15'-2" [4623mm]	1500 Lbs. [680 Kg.]
98572	11'-0" [3353mm]	10'-0" [3048mm]	14'-0" [4267mm]	1500 Lbs. [680 Kg.]
98573	11'-0" [3353mm]	12'-0" [3658mm]	16'-0" [4877mm]	1500 Lbs. [680 Kg.]
98574	12'-0" [3658mm]	10'-0" [3048mm]	14'-0" [4267mm]	1500 Lbs. [680 Kg.]
98575	12'-0" [3658mm]	12'-0" [3658mm]	16'-0" [4877mm]	1500 Lbs. [680 Kg.]
98576	13'-0" [3962mm]	10'-0" [3048mm]	14'-8" [4470mm]	1400 Lbs. [635 Kg.]
98577	13'-0" [3962mm]	12'-0" [3658mm]	16'-8" [5080mm]	1400 Lbs. [635 Kg.]
98578	14'-0" [4267mm]	10'-0" [3048mm]	14'-8" [4470mm]	1300 Lbs. [590 Kg.]
98579	14'-0" [4267mm]	12'-0" [3658mm]	16'-8" [5080mm]	1300 Lbs. [590 Kg.]
98580	15'-0" [4572mm]	10'-0" [3048mm]	15'-4" [4674mm]	1200 Lbs. [544 Kg.]
98581	15'-0" [4572mm]	12'-0" [3658mm]	17'-4" [5283mm]	1200 Lbs. [544 Kg.]
98582	16'-0" [4877mm]	10'-0" [3048mm]	15'-4" [4674mm]	1200 Lbs. [544 Kg.]
98583	16'-0" [4877mm]	12'-0" [3658mm]	17'-4" [5283mm]	1200 Lbs. [544 Kg.]
98584	17'-0" [5182mm]	10'-0" [3048mm]	16'-0" [4877mm]	1000 Lbs. [454 Kg.]
98585	17'-0" [5182mm]	12'-0" [3658mm]	18'-0" [5486mm]	1000 Lbs. [454 Kg.]
98586	18'-0" [5486mm]	10'-0" [3048mm]	16'-0" [4877mm]	1000 Lbs. [454 Kg.]
98587	18'-0" [5486mm]	12'-0" [3658mm]	18'-0" [5486mm]	1000 Lbs. [454 Kg.]
98588	19'-0" [5791mm]	10'-0" [3048mm]	16'-8" [5080mm]	900 Lbs. [408 Kg.]
98589	19'-0" [5791mm]	12'-0" [3658mm]	18'-8" [5690mm]	900 Lbs. [408 Kg.]
98590	20'-0" [6096mm]	10'-0" [3048mm]	16'-8" [5080mm]	850 Lbs. [386 Kg.]
98591	20'-0" [6096mm]	12'-0" [3658mm]	18'-8" [5690mm]	850 Lbs. [386 Kg.]

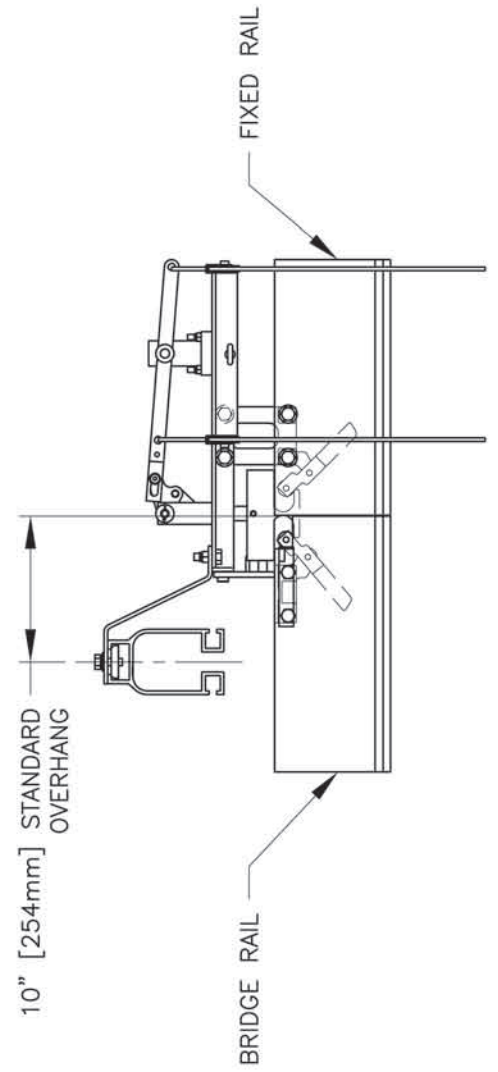
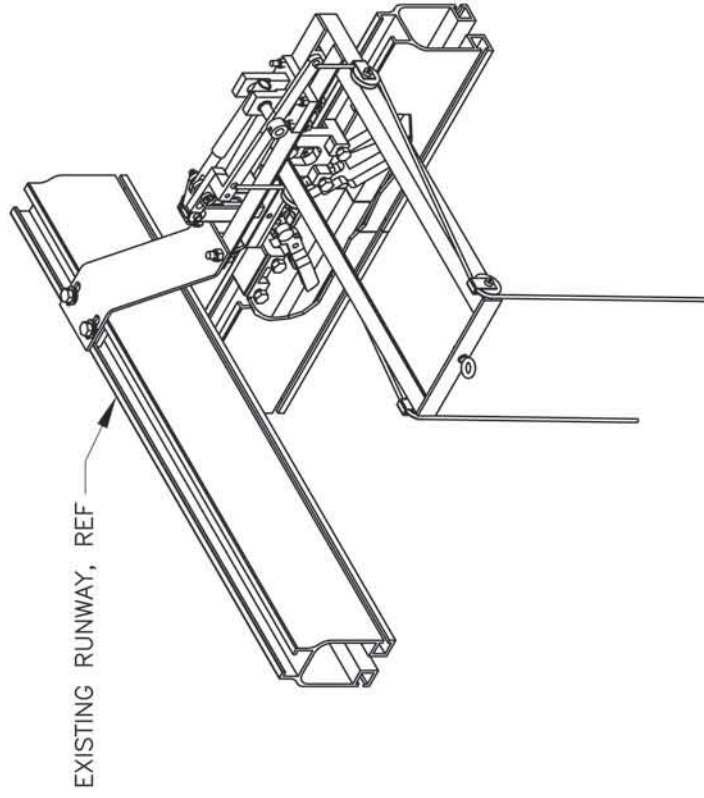
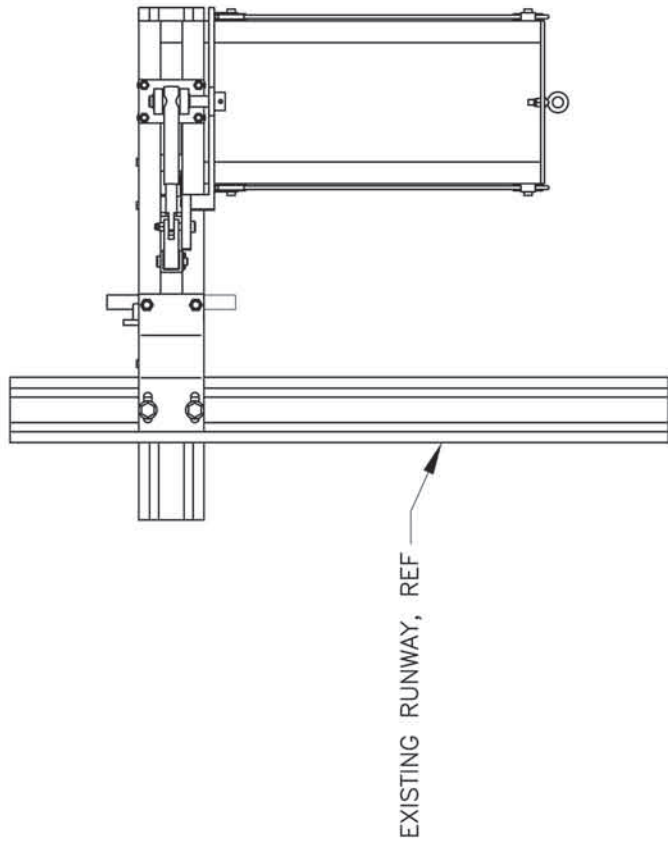
Note: Rated Loads above 1100lbs require a Dual Hoist Trolley

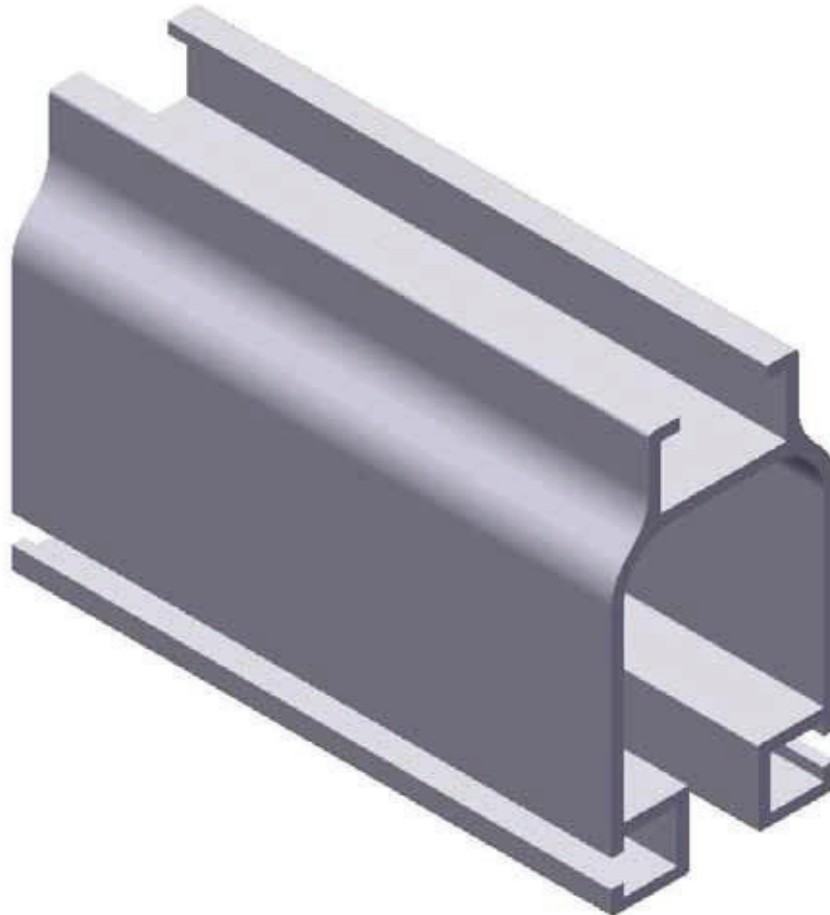


UNIFIED ETA-8 INTERLOCK

- Pneumatic or Manual

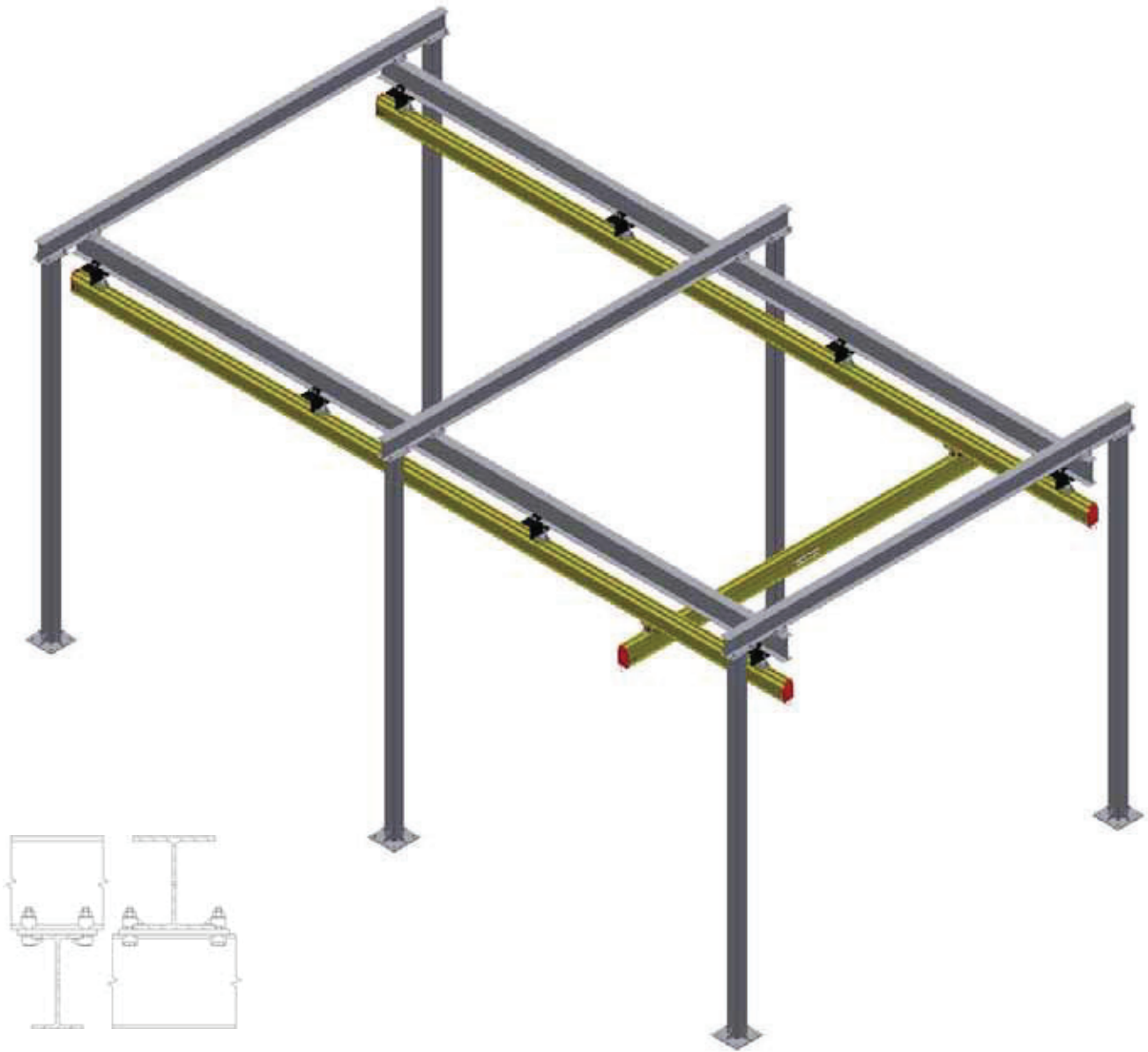
PNEUMATIC OR MANUAL INTERLOCK





ETA-8 CLEAN ROOM APPLICATIONS

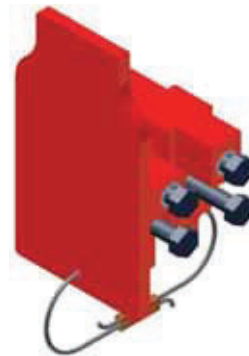
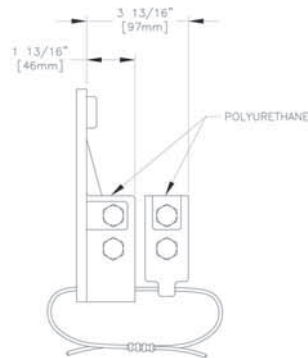
No paint, sealed bearings and stainless steel hardware.
Optional: Anodized Rail



Typical Connection

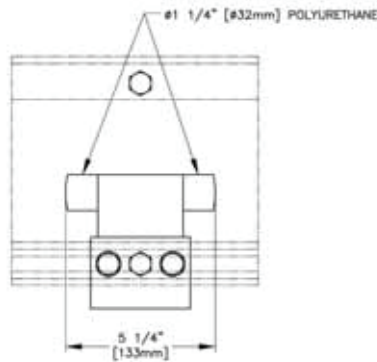
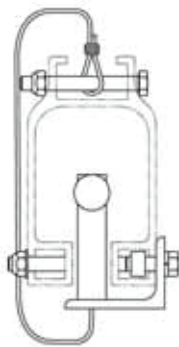
FREE STANDING FLOOR SUPPORT STRUCTURES

- Designed & engineered to each application.
- Floor supports do not require bracing to existing structures.
- P.E. certification optional.
- Paint to customer color specification.



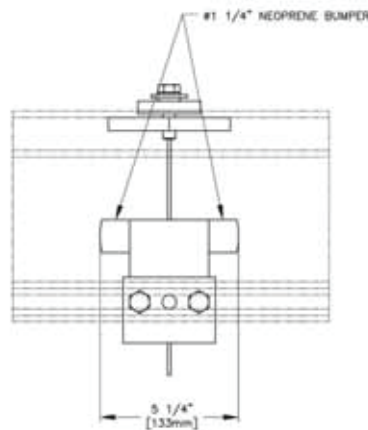
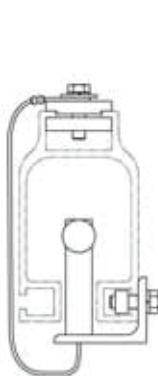
24950 ETA-8 POLY DOUBLE END CAP ASSEMBLY

- Double End Stops for added safety are standard
- For Single End Stop replacement parts see ETA Parts Manual
- Weight: 3 lbs. (1.4kg)



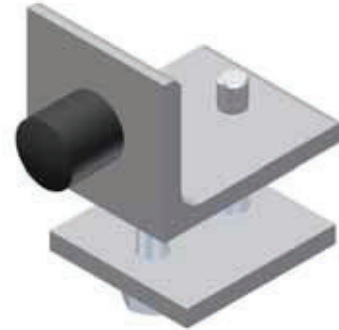
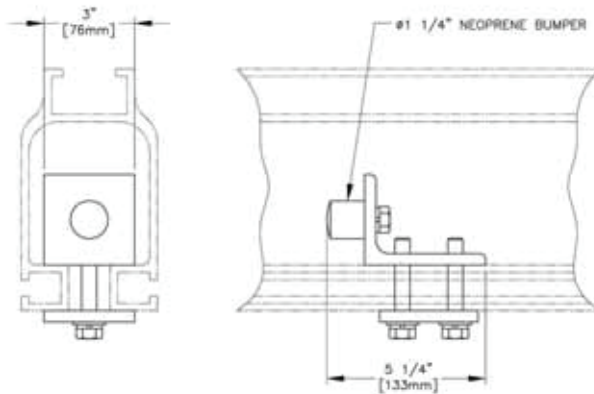
25576 ETA-8 INSERTABLE MID-RAIL STOP ASSEMBLY

- Weight: 4 lbs. (1.8kg)



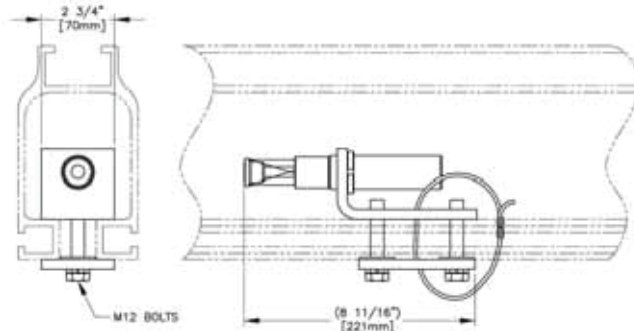
25578 ETA-8 ADJUSTABLE INSERTABLE MID-RAIL STOP ASSEMBLY

- Weight: 5 lbs. (2.3kg)



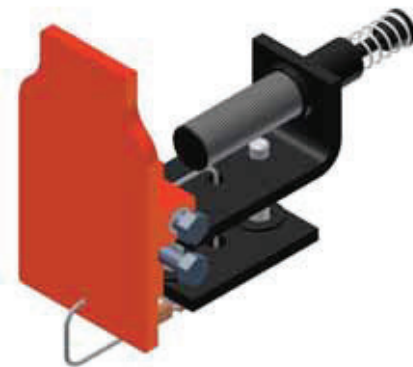
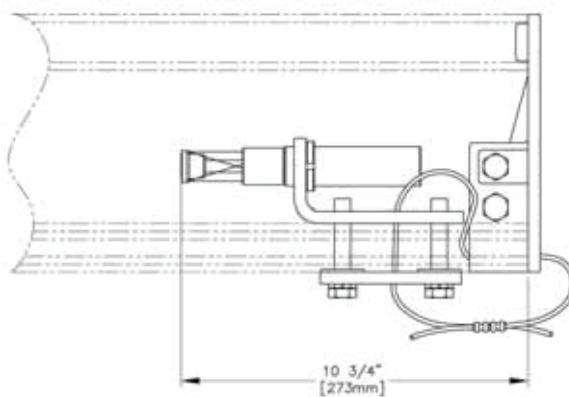
25570 ETA-8 MID-STOP ASSEMBLY

■ **Weight: 2 lbs. (.91kg)**



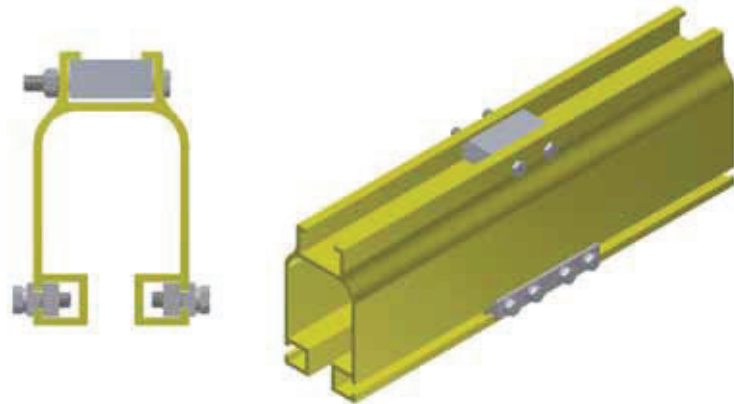
25179 ETA-8 POSITION STOP SHOCK ABSORBER ASSEMBLY

■ **Weight: 5 lbs. (2.3kg)**

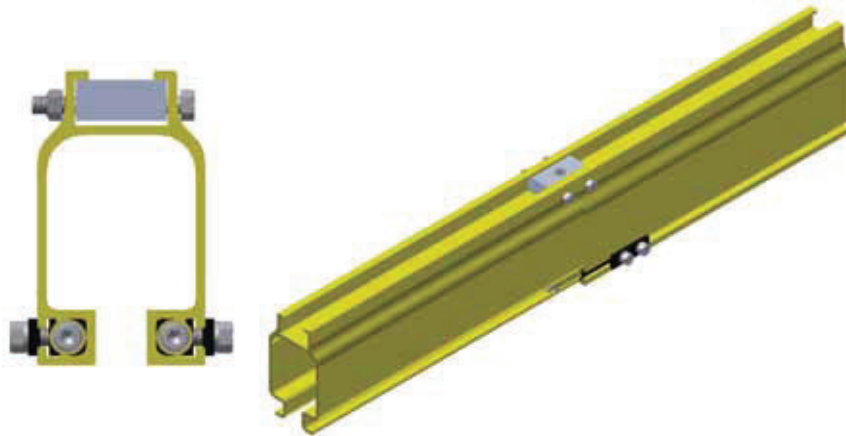


25135 ETA-8 END STOP SHOCK ABSORBER ASSEMBLY

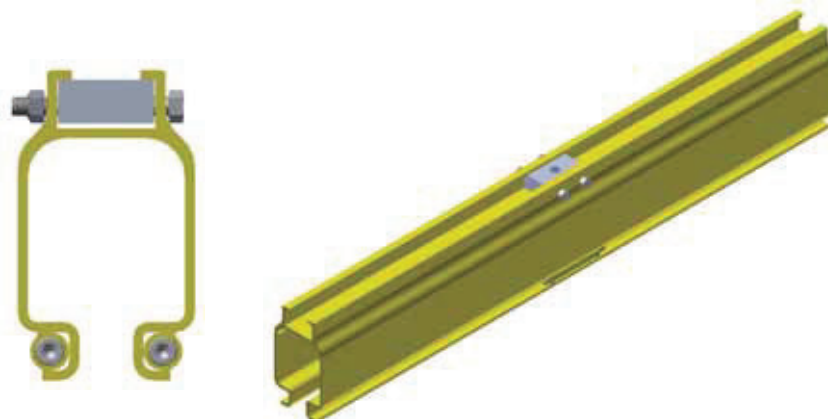
■ **Weight: 7 lbs. (3.2kg)**



25552 ETA-8 BOLTED SPLICE ASSEMBLY
28010 BOLTED SPLICE BAR KIT (DOES NOT INCLUDE TOP BLOCK)

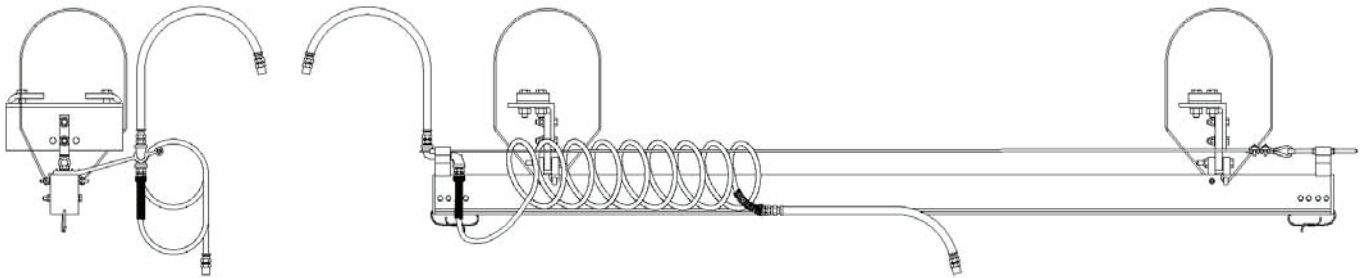


25557 ETA-8 TRANSITION SPLICE ASSEMBLY
FOR OLD RAIL TO NEW RAIL



25550 ETA-8 OLD RAIL SPLICE ASSEMBLY

Note: All splices MUST be within 1' of a Hanger



RUNWAY AIR FESTOONING

RUNWAY AIR FESTOON KIT

Features

- Two Blue Whip Hoses x 36" (914mm)
- Blue Coiled Hose
- Two ETA Festoon Brackets
- 1/4" Nylon Coated Cable Assembly

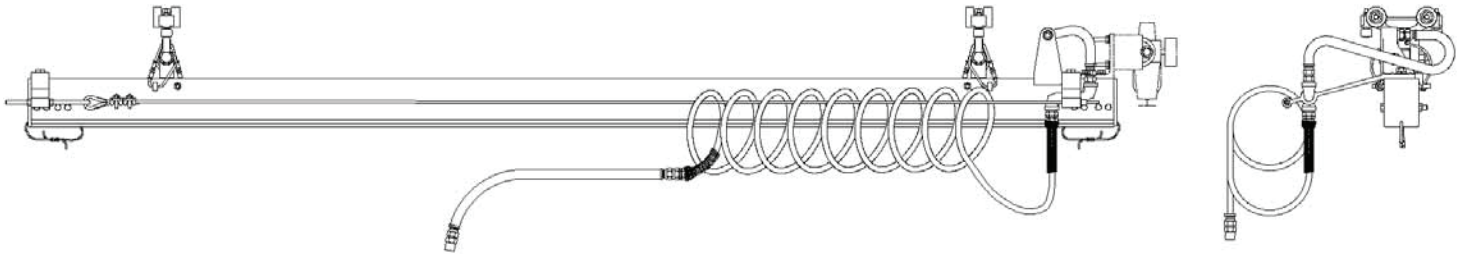
Part Number

■ **1/2" Hose Kits**

- **29105** 5'-0" (1.5m) Long Runway Air Festoon Kit
- **29110** 10'-0" (3.0m) Long Runway Air Festoon Kit
- **29115** 15'-0" (4.5m) Long Runway Air Festoon Kit
- **29120** 20'-0" (6.0m) Long Runway Air Festoon Kit
- **29125** 25'-0" (7.6m) Long Runway Air Festoon Kit
- **29130** 30'-0" (9.1m) Long Runway Air Festoon Kit
- **29135** 35'-0" (10.6m) Long Runway Air Festoon Kit
- **29140** 40'-0" (12.1m) Long Runway Air Festoon Kit
- **29145** 45'-0" (13.7m) Long Runway Air Festoon Kit
- **29150** 50'-0" (15.2m) Long Runway Air Festoon Kit
- **29155** 55'-0" (16.7m) Long Runway Air Festoon Kit
- **29160** 60'-0" (18.2m) Long Runway Air Festoon Kit
- **29165** 65'-0" (19.8m) Long Runway Air Festoon Kit
- **29170** 70'-0" (21.3m) Long Runway Air Festoon Kit
- **29175** 75'-0" (22.8m) Long Runway Air Festoon Kit
- **29180** 80'-0" (24.3m) Long Runway Air Festoon Kit
- **29185** 85'-0" (25.9m) Long Runway Air Festoon Kit
- **29190** 90'-0" (27.4m) Long Runway Air Festoon Kit
- **29195** 95'-0" (28.9m) Long Runway Air Festoon Kit
- **29200** 100'-0" (30.4m) Long Runway Air Festoon Kit

■ **3/4" Hose Kits**

- **29205** 5'-0" (1.5m) Long Runway Air Festoon Kit
- **29210** 10'-0" (3.0m) Long Runway Air Festoon Kit
- **29215** 15'-0" (4.5m) Long Runway Air Festoon Kit
- **29220** 20'-0" (6.0m) Long Runway Air Festoon Kit
- **29225** 25'-0" (7.6m) Long Runway Air Festoon Kit
- **29230** 30'-0" (9.1m) Long Runway Air Festoon Kit
- **29235** 35'-0" (10.6m) Long Runway Air Festoon Kit
- **29240** 40'-0" (12.1m) Long Runway Air Festoon Kit
- **29245** 45'-0" (13.7m) Long Runway Air Festoon Kit
- **29250** 50'-0" (15.2m) Long Runway Air Festoon Kit
- **29255** 55'-0" (16.7m) Long Runway Air Festoon Kit
- **29260** 60'-0" (18.2m) Long Runway Air Festoon Kit
- **29265** 65'-0" (19.8m) Long Runway Air Festoon Kit
- **29270** 70'-0" (21.3m) Long Runway Air Festoon Kit
- **29275** 75'-0" (22.8m) Long Runway Air Festoon Kit
- **29280** 80'-0" (24.3m) Long Runway Air Festoon Kit
- **29285** 85'-0" (25.9m) Long Runway Air Festoon Kit
- **29290** 90'-0" (27.4m) Long Runway Air Festoon Kit
- **29295** 95'-0" (28.9m) Long Runway Air Festoon Kit
- **29300** 100'-0" (30.4m) Long Runway Air Festoon Kit



BRIDGE AIR FESTOONING

BRIDGE AIR FESTOON KIT

Features

- Two Blue Whip Hoses x 36" (914mm)
- Blue Coiled Hose
- Two ETA Festoon Brackets
- One Air Hose Connector Bracket
- 1/4" Nylon Coated Cable with Hardware

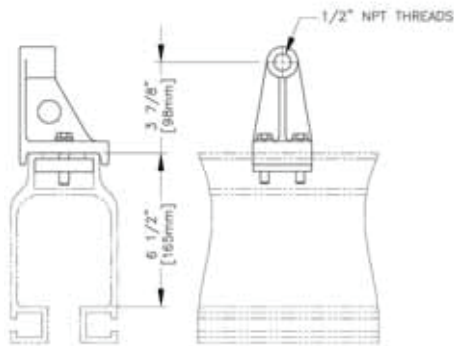
Options

- FR Assembly
- FRL Assembly
- Lockout

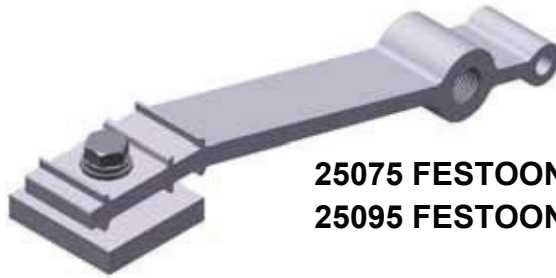
Part Number

- **29305** 5'-0" (1.5m) Long 1/2" Bridge Air Festoon Kit
- **29310** 10'-0" (3.0m) Long 1/2" Bridge Air Festoon Kit
- **29315** 15'-0" (4.5m) Long 1/2" Bridge Air Festoon Kit
- **29320** 20'-0" (6.0m) Long 1/2" Bridge Air Festoon Kit
- **29325** 25'-0" (7.6m) Long 1/2" Bridge Air Festoon Kit
- **29330** 30'-0" (9.1m) Long 1/2" Bridge Air Festoon Kit
- **29335** 35'-0" (10.6m) Long 1/2" Bridge Air Festoon Kit
- **29340** 40'-0" (12.1m) Long 1/2" Bridge Air Festoon Kit

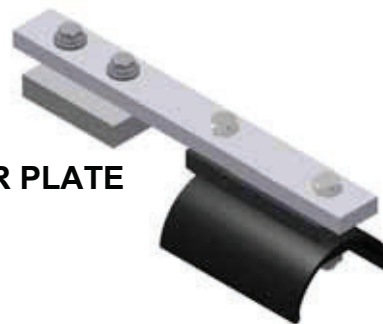
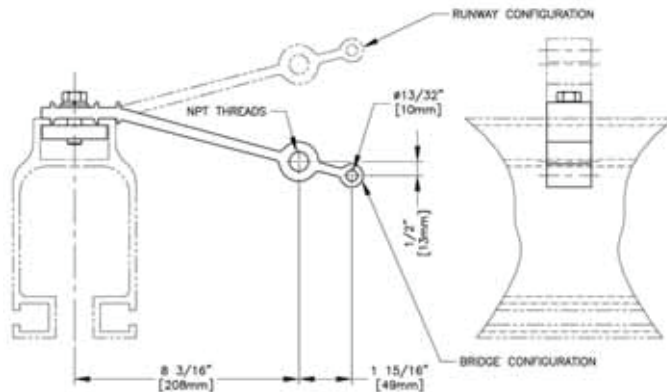
- **29405** 5'-0" (1.5m) Long 3/4" Bridge Air Festoon Kit
- **29410** 10'-0" (3.0m) Long 3/4" Bridge Air Festoon Kit
- **29415** 15'-0" (4.5m) Long 3/4" Bridge Air Festoon Kit
- **29420** 20'-0" (6.0m) Long 3/4" Bridge Air Festoon Kit
- **29425** 25'-0" (7.6m) Long 3/4" Bridge Air Festoon Kit
- **29430** 30'-0" (9.1m) Long 3/4" Bridge Air Festoon Kit
- **29435** 35'-0" (10.6m) Long 3/4" Bridge Air Festoon Kit
- **29440** 40'-0" (12.1m) Long 3/4" Bridge Air Festoon Kit



25070 AIR HOSE CONNECTOR BRACKET ASSEMBLY 1/2"
25065 AIR HOSE CONNECTOR BRACKET ASSEMBLY 3/4"



25075 FESTOON BRACKET ASSEMBLY 1/2" NPT
25095 FESTOON BRACKET ASSEMBLY 3/4" NPT

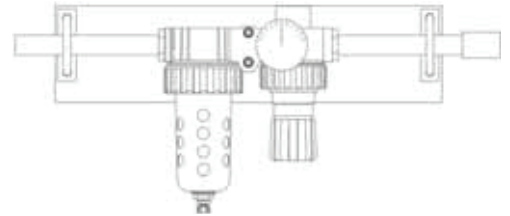


25815 ETA ELECTRIC FESTOON ANCHOR PLATE



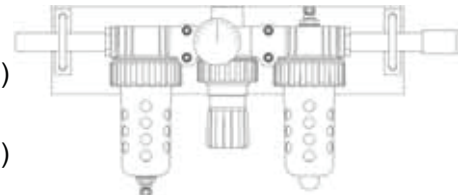
FILTER REGULATORS

- **25503** FR Assembly 1/2" Air Supply (Parker Standard)
- **25516** FR Assembly 1/2" Air Supply includes Manual Lockout (SMC Optional)
- **25517** FR Assembly 3/4" Air Supply (Parker Standard)
- **25518** FR Assembly 3/4" Air Supply includes Manual Lockout (SMC Optional)



FILTER REGULATOR LUBRICATORS

- **25500** FRL Assembly 1/2" Air Supply (Parker Standard)
- **25519** FRL Assembly 1/2" Air Supply includes Manual Lockout (SMC Optional)
- **25521** FRL Assembly 3/4" Air Supply (Parker Standard)
- **25522** FRL Assembly 3/4" Air Supply includes Manual Lockout (SMC Optional)



MANUAL LOCKOUTS

- **25523** Manual Lockout 1/2" Air Supply (Parker Standard)
- **25524** Manual Lockout 1/2" Air Supply (SMC Optional)
- **78107** Manual Lockout 3/4" Air Supply (Parker Standard)
- **78108** Manual Lockout 3/4" Air Supply (SMC Optional)



(Parker Standard)

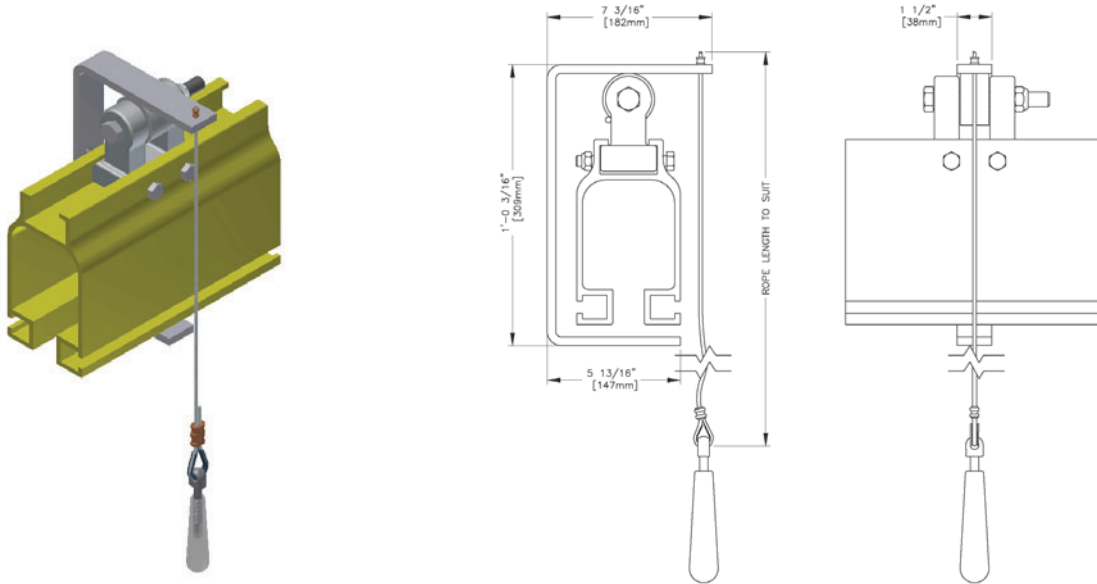


(SMC Optional)

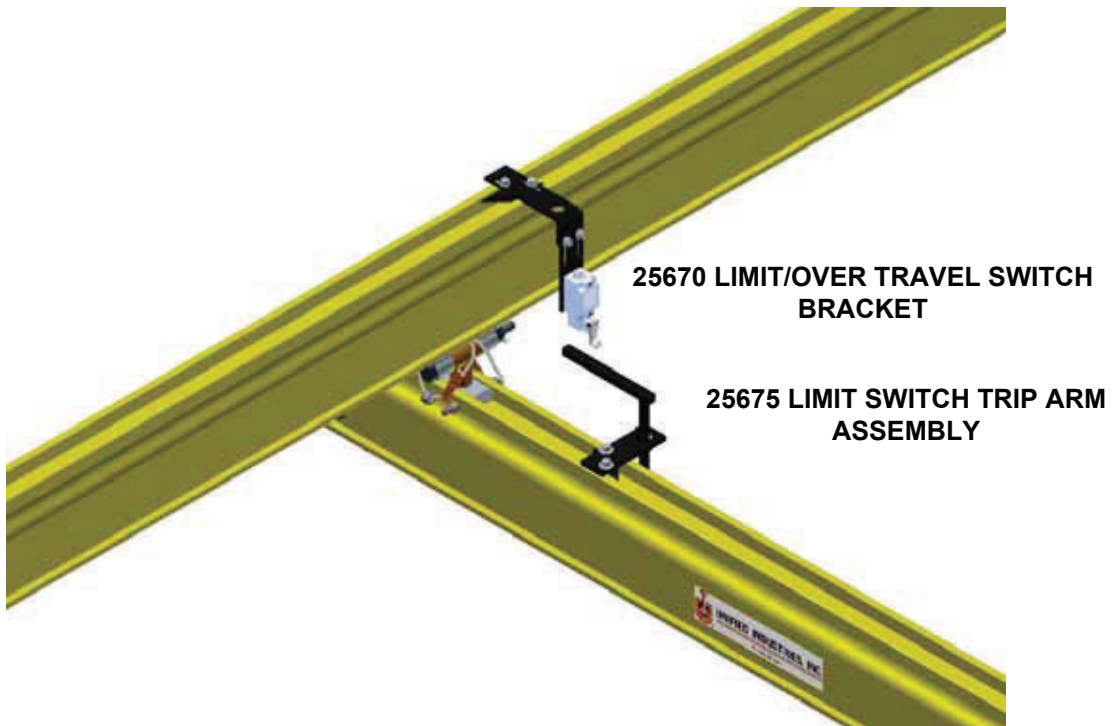
ELECTRIC JUNCTION BOX

- **25665** Electric Junction Box
- **67000** 4-Wire 12 ga. Flatwire Electric Cable (per foot)





27065 BY-PASS ASSEMBLY



25677 OVER TRAVEL SWITCH ASSEMBLY

■ Limit switch not included

UNIFIED DROP ANGLE KITS



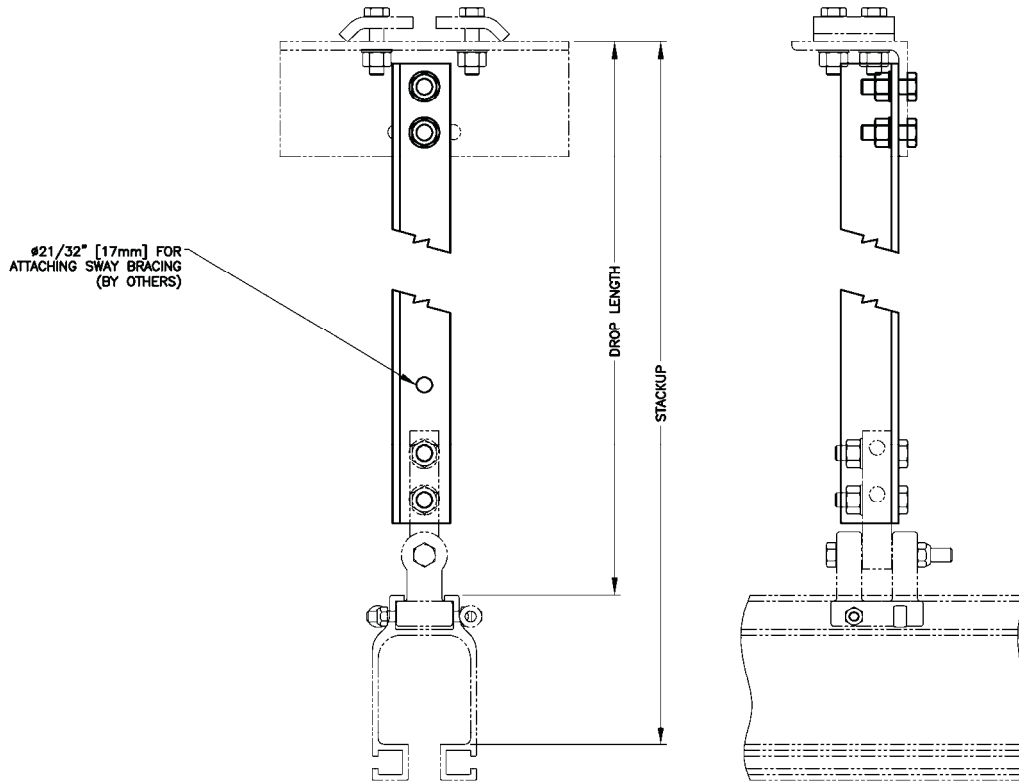
Beam Hanger

- Rated Load 3,500lbs (908kg)
- Beam Hanger sold separately
- Drop Angle Lengths 1'-2" (355mm) to 6'-0" (1829mm) require a cable hole
- Drop Angle Lengths 2'-0" (610mm) to 6'-0" (1829mm) require knee braces in both directions
- Knee Bracing by others
- Drops of 8" (203mm) to 11" (280mm) Consult Engineering



Adjustable Hanger

- Rated Load 3,000lbs (680kg)
- Adjustable Hanger sold separately
- Drop Angle Lengths 1'-2" (355mm) to 6'-0" (1829mm) require a cable hole
- Drop Angle Lengths 2'-0" (610mm) to 6'-0" (1829mm) require knee braces in both directions
- Knee Bracing by others
- Drops of 8" (203mm) to 11" (280mm) Consult Engineering

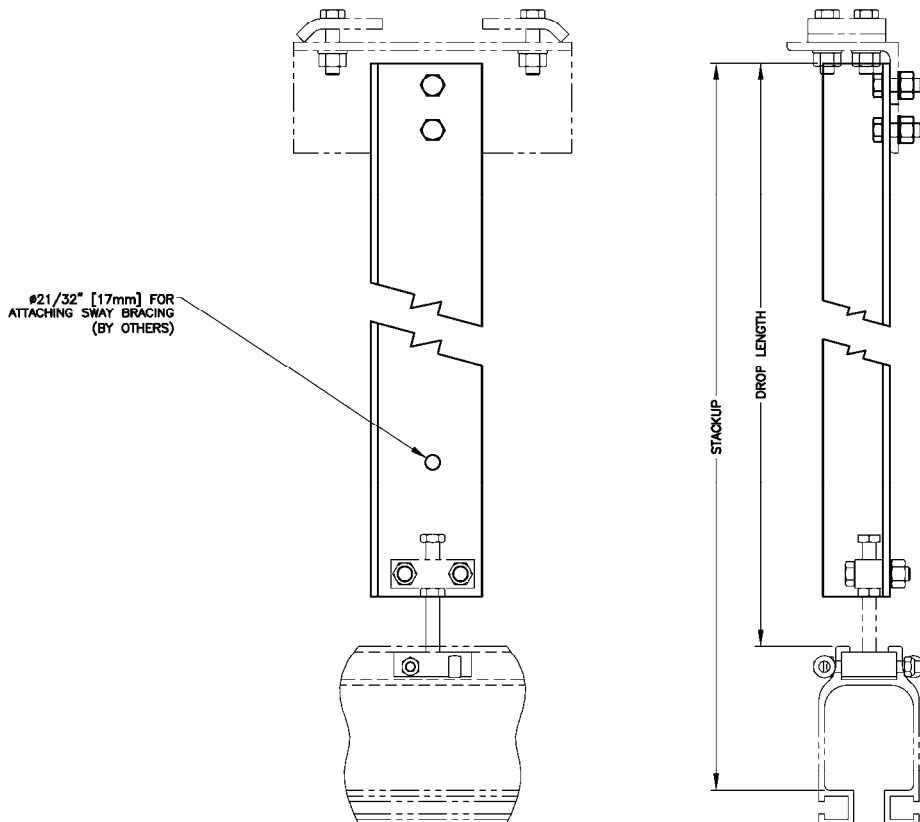


NOTE:
RATED LOAD 3500 LBS [1588 Kg].

KIT PART #	DROP ANGLE PART #	DROP LENGTH		STACKUP	
28705	75106	1'-0"	305mm	1'-6 1/2"	470mm
		1'-1"	330mm	1'-7 1/2"	495mm
		1'-2"	356mm	1'-8 1/2"	521mm
		1'-3"	381mm	1'-9 1/2"	546mm
		1'-4"	406mm	1'-10 1/2"	572mm
		1'-5"	432mm	1'-11 1/2"	597mm
		1'-6"	457mm	2'-0 1/2"	622mm
		1'-7"	483mm	2'-1 1/2"	648mm
		1'-8"	508mm	2'-2 1/2"	673mm
		1'-9"	533mm	2'-3 1/2"	699mm
		1'-10"	559mm	2'-4 1/2"	724mm
		1'-11"	584mm	2'-5 1/2"	749mm
		2'-0"	610mm	2'-6 1/2"	775mm
		28706	75107	2'-1"	635mm
2'-2"	660mm			2'-8 1/2"	826mm
2'-3"	686mm			2'-9 1/2"	851mm
2'-4"	711mm			2'-10 1/2"	876mm
2'-5"	737mm			2'-11 1/2"	902mm
2'-6"	762mm			3'-0 1/2"	927mm
2'-7"	787mm			3'-1 1/2"	953mm
2'-8"	813mm			3'-2 1/2"	978mm
2'-9"	838mm			3'-3 1/2"	1003mm
2'-10"	864mm			3'-4 1/2"	1029mm
2'-11"	889mm			3'-5 1/2"	1054mm
3'-0"	914mm			3'-6 1/2"	1080mm
3'-1"	940mm			3'-7 1/2"	1105mm
28707	75108			3'-2"	965mm
		3'-3"	991mm	3'-9 1/2"	1156mm
		3'-4"	1016mm	3'-10 1/2"	1181mm
		3'-5"	1041mm	3'-11 1/2"	1207mm
		3'-6"	1067mm	4'-0 1/2"	1232mm

KIT PART #	DROP ANGLE PART #	DROP LENGTH		STACKUP	
28707	75108	3'-7"	1092mm	4'-1 1/2"	1257mm
		3'-8"	1118mm	4'-2 1/2"	1283mm
		3'-9"	1143mm	4'-3 1/2"	1308mm
		3'-10"	1168mm	4'-4 1/2"	1334mm
		3'-11"	1194mm	4'-5 1/2"	1359mm
		4'-0"	1219mm	4'-6 1/2"	1384mm
28708	75109	4'-1"	1245mm	4'-7 1/2"	1410mm
		4'-2"	1270mm	4'-8 1/2"	1435mm
		4'-3"	1295mm	4'-9 1/2"	1461mm
		4'-4"	1321mm	4'-10 1/2"	1486mm
		4'-5"	1346mm	4'-11 1/2"	1511mm
		4'-6"	1372mm	5'-0 1/2"	1537mm
		4'-7"	1397mm	5'-1 1/2"	1562mm
		4'-8"	1422mm	5'-2 1/2"	1588mm
		4'-9"	1448mm	5'-3 1/2"	1613mm
		4'-10"	1473mm	5'-4 1/2"	1638mm
		4'-11"	1499mm	5'-5 1/2"	1664mm
28709	75110	5'-0"	1524mm	5'-6 1/2"	1689mm
		5'-1"	1549mm	5'-7 1/2"	1715mm
		5'-2"	1575mm	5'-8 1/2"	1740mm
		5'-3"	1600mm	5'-9 1/2"	1765mm
		5'-4"	1626mm	5'-10 1/2"	1791mm
		5'-5"	1651mm	5'-11 1/2"	1816mm
		5'-6"	1676mm	6'-0 1/2"	1842mm
		5'-7"	1702mm	6'-1 1/2"	1867mm
		5'-8"	1727mm	6'-2 1/2"	1892mm
		5'-9"	1753mm	6'-3 1/2"	1918mm
		5'-10"	1778mm	6'-4 1/2"	1943mm
		5'-11"	1803mm	6'-5 1/2"	1969mm
		6'-0"	1829mm	6'-6 1/2"	1994mm

*Beam Hanger sold separately



NOTE:
RATED LOAD 3000 LBS [1361 Kg].

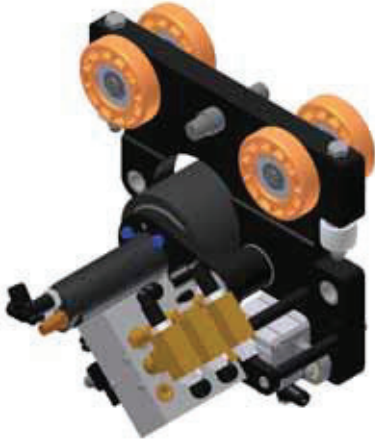
KIT PART #	DROP ANGLE PART #	DROP LENGTH		STACKUP	
28716	75117	9"	229mm	1'-3 1/2"	394mm
		10"	254mm	1'-4 1/2"	419mm
		11"	279mm	1'-5 1/2"	445mm
		1'-0"	305mm	1'-6 1/2"	470mm
28717	75118	1'-1"	330mm	1'-7 1/2"	495mm
		1'-2"	356mm	1'-8 1/2"	521mm
		1'-3"	381mm	1'-9 1/2"	546mm
		1'-4"	406mm	1'-10 1/2"	572mm
		1'-5"	432mm	1'-11 1/2"	597mm
		1'-6"	457mm	2'-0 1/2"	622mm
		1'-7"	483mm	2'-1 1/2"	648mm
		1'-8"	508mm	2'-2 1/2"	673mm
		1'-9"	533mm	2'-3 1/2"	699mm
		1'-10"	559mm	2'-4 1/2"	724mm
		1'-11"	584mm	2'-5 1/2"	749mm
		2'-0"	610mm	2'-6 1/2"	775mm
28718	75119	2'-1"	635mm	2'-7 1/2"	800mm
		2'-2"	660mm	2'-8 1/2"	826mm
		2'-3"	686mm	2'-9 1/2"	851mm
		2'-4"	711mm	2'-10 1/2"	876mm
		2'-5"	737mm	2'-11 1/2"	902mm
		2'-6"	762mm	3'-0 1/2"	927mm
		2'-7"	787mm	3'-1 1/2"	953mm
		2'-8"	813mm	3'-2 1/2"	978mm
		2'-9"	838mm	3'-3 1/2"	1003mm
		2'-10"	864mm	3'-4 1/2"	1029mm
		2'-11"	889mm	3'-5 1/2"	1054mm
		3'-0"	914mm	3'-6 1/2"	1080mm
28719	75120	3'-1"	940mm	3'-7 1/2"	1105mm
		3'-2"	965mm	3'-8 1/2"	1130mm
		3'-3"	991mm	3'-9 1/2"	1156mm
		3'-4"	1016mm	3'-10 1/2"	1181mm

KIT PART #	DROP ANGLE PART #	DROP LENGTH		STACKUP	
28719	75120	3'-5"	1041mm	3'-11 1/2"	1207mm
		3'-6"	1067mm	4'-0 1/2"	1232mm
		3'-7"	1092mm	4'-1 1/2"	1257mm
		3'-8"	1118mm	4'-2 1/2"	1283mm
		3'-9"	1143mm	4'-3 1/2"	1308mm
		3'-10"	1168mm	4'-4 1/2"	1334mm
		3'-11"	1194mm	4'-5 1/2"	1359mm
		4'-0"	1219mm	4'-6 1/2"	1384mm
		4'-1"	1245mm	4'-7 1/2"	1410mm
		4'-2"	1270mm	4'-8 1/2"	1435mm
		4'-3"	1295mm	4'-9 1/2"	1461mm
28720	75121	4'-4"	1321mm	4'-10 1/2"	1486mm
		4'-5"	1346mm	4'-11 1/2"	1511mm
		4'-6"	1372mm	5'-0 1/2"	1537mm
		4'-7"	1397mm	5'-1 1/2"	1562mm
		4'-8"	1422mm	5'-2 1/2"	1588mm
		4'-9"	1448mm	5'-3 1/2"	1613mm
		4'-10"	1473mm	5'-4 1/2"	1638mm
		4'-11"	1499mm	5'-5 1/2"	1664mm
		5'-0"	1524mm	5'-6 1/2"	1689mm
		5'-1"	1549mm	5'-7 1/2"	1715mm
		5'-2"	1575mm	5'-8 1/2"	1740mm
28721	75122	5'-3"	1600mm	5'-9 1/2"	1765mm
		5'-4"	1626mm	5'-10 1/2"	1791mm
		5'-5"	1651mm	5'-11 1/2"	1816mm
		5'-6"	1676mm	6'-0 1/2"	1842mm
		5'-7"	1702mm	6'-1 1/2"	1867mm
		5'-8"	1727mm	6'-2 1/2"	1892mm
		5'-9"	1753mm	6'-3 1/2"	1918mm
		5'-10"	1778mm	6'-4 1/2"	1943mm
		5'-11"	1803mm	6'-5 1/2"	1968mm
		6'-0"	1829mm	6'-6 1/2"	1994mm

*Adjustable Hanger sold separately

UNIFIED AIR TRACTOR

The lube free air tractor was developed to be a compact, and reliable alternative to those large air tractors most companies are familiar with.



Features

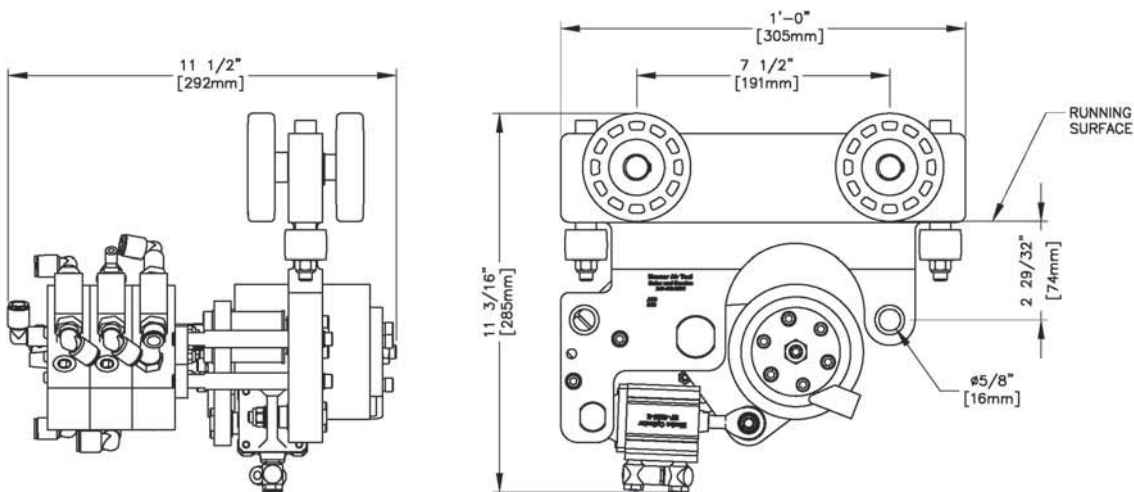
- **Lightweight and Compact**
- **Lube Free Air Motor**
- **Maintenance Friendly Design**
- **Quick Delivery, Excellent Pricing**

Control Package Options:

- C1 = SMC Control Pack w/Fwd/Rev 2-Button Control Pendant.
- C2 = SMC Control Pack Only. (Requires main air connection + Fwd/Rev signals)
- C3 = Base Tractor Only. No Control valves.
- C4 = SMC Control Pack w/4-Button Control Pendant (Fwd/Rev + ?/?)

Part Number

- **UAT-NB-C(x)-ETA8** Air Tractor to run on ETA-8 rail. Specify control pack above. Weight 33lbs (15kg)
- **25684** ETA-8 Tractor Tow Bar-Hitch
- **60315** Replacement Drive Wheel



Proper Tractor Operation: Tractor must come to a complete stop before it can be engaged in the opposite direction. If this process is not followed, damage to the Tractor will occur and the warranty will be void.

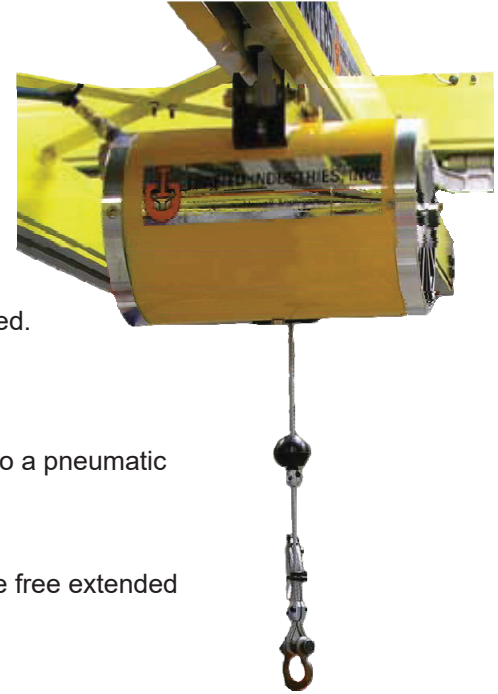
Designed for a working plant air pressure of: 87-102psi (600-700kPA)

***NB = No Brake**



UNIFIED AIR BALANCER

A proven ergonomic lifting and positioning device



- **Capacities** up to 485lbs. (220kg) single reeve - 1940lbs. (880kg) tandem reeved.
- **Safety** overload limit and check valve in case of loss of air supply.
- **Energy Efficient** only a fraction of a CFM per cycle required when compared to a pneumatic hoist.
- **Robust** precision mechanical design & powder coated housing ensures trouble free extended service life.
- Uses non-lubricated air, assures clean environment.
- Ideal for ergonomic handling applications and suspension of tools, weld guns & fixtures.
- All Non-Reeved balancers come equipped with a 25'-6" (9m) cable.

Control Styles

UBB = Basic Balancer with no controls
UAB = Balancer with Up/Down controls
UZB = Balancer with Zero G

Model #	Weight Capacity/Lift	Air Consumption
U_B-132	132lbs (60kg)/79in (2000mm)	.5 CFM(.85CMH)
U_B-220	220lbs (100kg)/118in (3000mm)	1.3 CFM(2.21CMH)
U_B-331	331lbs (150kg)/79in (2000mm)	1.3 CFM(2.21CMH)
U_B-485	485lbs (220kg)/79in (2000mm)	1.9 CFM(3.23 CMH)

- Wire Rope Units (Air Pressure 7kgf/cm²) (100 PSI)

Optional Accessories

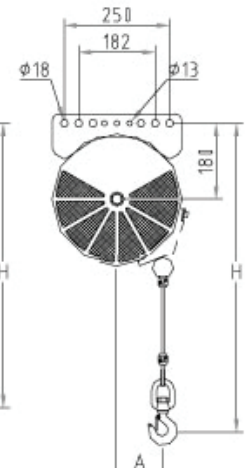
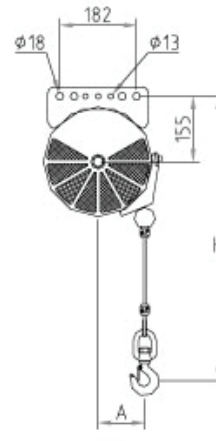
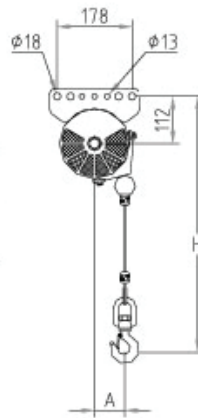
Part #	Description
99025	Up/Down Manifold
99026	Up/Down Control Kit—Includes Manifold, 12ft (3.65m) Hose and 2-button pendant
99100	Top Hook Assembly



Single Type

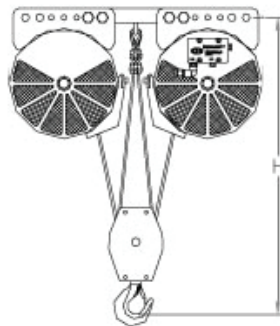
Model	"A" Dimension
U_B-132	2.83 inch (72mm)
U_B-220	4.35 inch (110.5mm)
U_B-331	2.83 inch (72mm)
U_B-485	2.83 inch (72mm)

Single Type

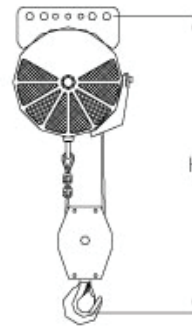


U_B-132 **U_B-220, 331** **U_B-485**

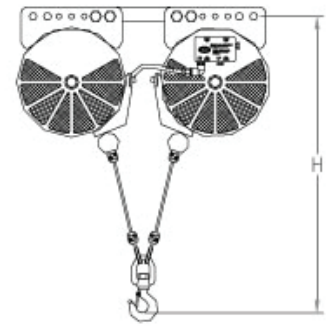
Tandem Reeved Type



Reeved Type



Tandem Type



Single Balancer

Model #	Capacity		Lift		D x L		H		Net Weight		CFM (per cycle)
	lbs	kg	in	mm	in	mm	in	mm	lbs	kg	
U_B-132-079	132	60	79	2000	6.1 x 15.43	155 x 392	23	600	51	23	.5
U_B-220-118	220	100	118	3000	10.24 x 15.75	260 x 400	28	700	94	42.5	1.3
U_B-331-079	331	150	79	2000	10.24 x 15.75	260 x 400	28	700	105	47	1.3
U_B-485-079	485	220	79	2000	12.21 x 15.75	310 x 400	30	750	110	50	1.9

Reeved Balancer (R) Tandem Balancer (T) Tandem-Reeved Balancer (TR)

Model #	Capacity		Lift		D x L		H		Net Weight	
	lbs	kg	in	mm	in	mm	in	mm	lbs	kg
U_B-440-59R	440	200	59	1500	10.24 x 15.75	260 x 400	28	700	104	47
U_B-440-118T	440	200	118	3000	2-10.24 x 15.76	260 x 400	28	700	203	92
U_B-662-39R	662	300	39	1000	10.24 x 15.77	260 x 400	28	700	99	45
U_B-661-79T	662	300	79	2000	2-10.24 x 15.78	260 x 400	28	700	198	90
U_B-970-39R	970	440	39	1000	12.21 x 15.75	310 x 400	30	750	124	56
U_B-970-79T	970	440	79	2000	2-12.21 x 15.75	310 x 400	30	750	243	110
U_B-882-59TR	882	400	59	1500	2-10.24 x 15.78	260 x 400	28	700	209	95
U_B-1323-39TR	1323	600	39	1000	2-10.24 x 15.79	260 x 400	28	700	203	92
U_B-1940-39TR	1940	880	39	1000	2-12.21 x 15.75	310 x 400	30	750	254	115

CAUTION

This bridge crane has a safe load rating, which has been clearly marked on both sides by the manufacturer. The total weight of the suspended load should never exceed 125% of this limit. The weight of all handling devices such as buckets, magnets, grabs, balancers, hoists, weldguns, etc. must be included as a part of the suspended load. The weight of such devices should therefore be determined and clearly marked.

Consideration should be given when installing hoisting devices. Load ratings for such devices may exceed the load rating of the bridge crane.

The operator should inspect this bridge crane for loose bolts and worn, cracked or distorted parts prior to use (inspection should include all handling devices and mounting equipment). Defective parts should be replaced with manufacturer-approved parts before use of bridge crane is resumed.

This bridge crane conforms to the safety standards of the U.S. Occupational Safety and Health Administration (OSHA). Any alteration of its structure or change in its rated load capacity may render null and void any manufacturer's warranties, expressed or implied.

***All dimensions are reference only
and need to be verified with factory.**

