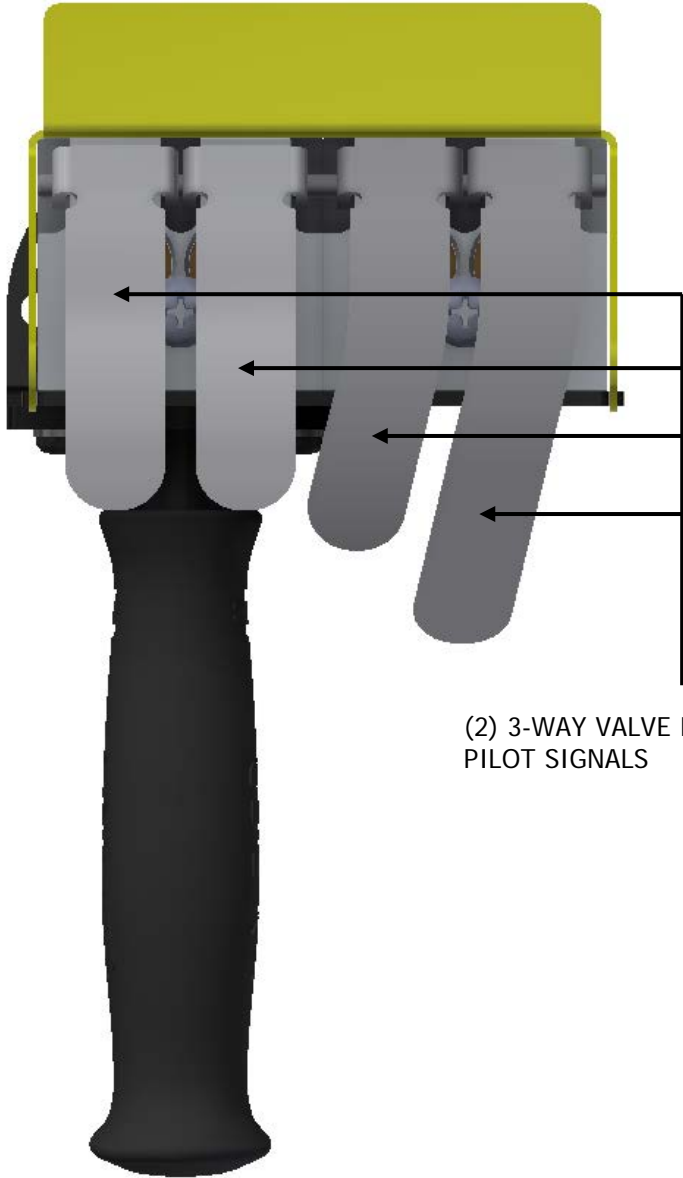
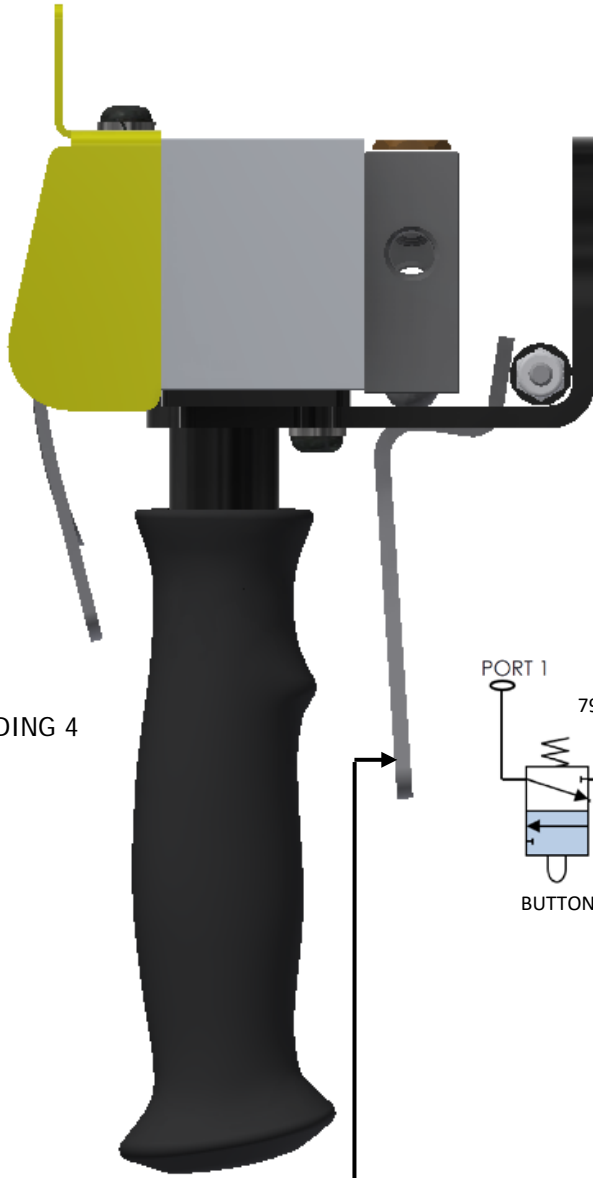


# 79630 – PNEUMATIC FOUR BUTTON HANDLE ASSEMBLY WITH FOUR PILOT SIGNALS WITH TRIGGER LH



(2) 3-WAY VALVE FOR SENDING 4 PILOT SIGNALS



TRIGGER: 3-WAY VALVE USED FOR SENDING 1 PILOT SIGNAL

- TEMPERATURE RANGE: 32 TO 125 DEGREES F
- MAXIMUM PRESSURE: 100 PSI
- DUAL BLOCK PORTS:
  - (2) PORT 1: 1/4" NPT PILOT SIGNAL
  - (2) PORT 2: 1/4" NPT AIR SUPPLY
  - (2) PORT 3: 1/4" NPT PILOT SIGNAL
- TRIGGER BLOCK PORTS
  - PORT 1: 1/8" NPT AIR SUPPLY
  - PORT 2: 1/8" NPT PILOT SIGNAL
  - PORT 3: 1/8" NPT EXHAUST
- HARDWARE TO BE SNUG TIGHT
- REQUIRES CLEAN DRY AIR

